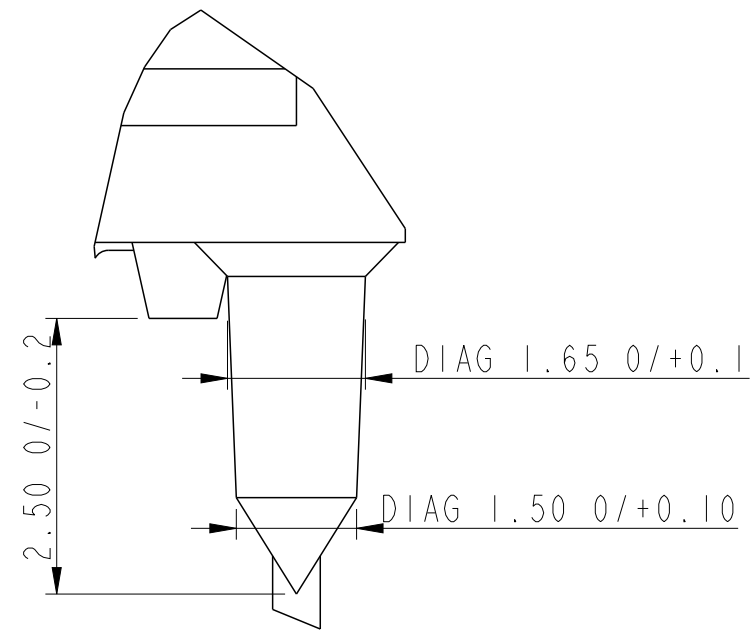
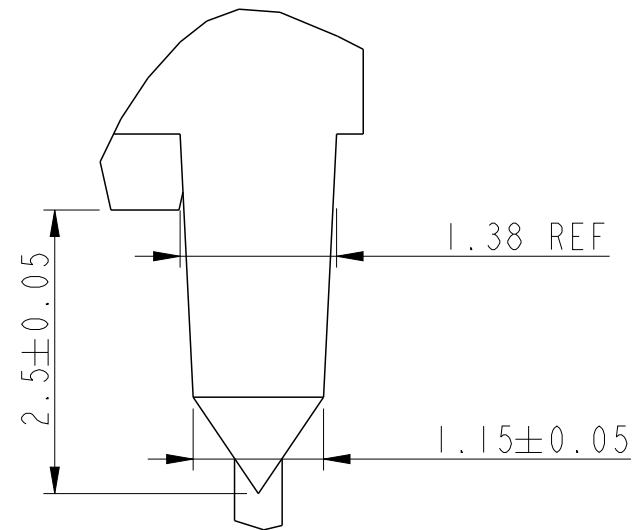


PC BOARD LAYOUT
COMPONENT SIDE
SEE PRINT 58351 FOR ADDITIONAL
PCB INFORMATION

DETAIL 1
SCALE 15:1



DETAIL 2
SCALE 15:1



KEY

CODE	DIMENSIONS		
	DIM A MATE	85697-10XXX DIM B MATE	85697-70XXX DIM B MATE
1	5.00	4.25	4.25
2	5.75	4.25	4.25
3	6.50	4.25	4.25
4	7.25	4.25	4.25
5	5.00	3.30	3.60
6	5.75	3.30	3.60
7	6.50	3.30	3.60
8	7.25	3.30	3.60
13	8.00	4.25	4.25

spec ref	--	dr	Terran Huang	2010/07/09	projection	MM	size	A3	scale	2:1		
tolerance std	ISO 406 ISO 1101	TOLERANCES UNLESS OTHERWISE SPECIFIED	eng	Narayanan, Aru	2021/01/29		ecn no	ELX-I-39834-1				
surface	linear	0.X ±0.3 0.XX ±0.13 0.XXX ±0.050	chr	-	product family			METRAL	rel level	Released		
ISO 1302	angular	0° ±2°	appr	Kuriakose, San	2021/02/02	title	METRAL SIGNAL HEADER		dwg no	85697	rev	L
		amphenol-icc.com	cat. no.	-		Product - Customer Drw		sheet 2 of 3				

