



Main

Range of Product	Modicon ABE7
Product or Component Type	Solid state output relay sub-base
[Us] rated supply voltage	24 V DC PLC end 24 V DC preactuator end
Number of Channels	16
Relay Type	Soldered solid state relay

Complementary

Terminal block type	Removable
Isolation PLC/operative part	No
Fixing mode	By clips 35 mm symmetrical DIN rail) By screws solid plate with fixing kit)
Current state 0 guaranteed	0.4 mA PLC end)
Voltage state 0 guaranteed	3.4 V PLC end
Current state 1 guaranteed	3.1 mA PLC end)
Voltage state 1 guaranteed	16.9 V PLC end
Maximum current per output common	9 A
Current per channel	0.5 A preactuator end
Minimum switching current	1 mA
Drop-out voltage	0.3 V preactuator end)
Maximum switching current	700 mA DC-12 700 mA DC-13
Maximum tungsten load	<10 W DC-6
Maximum residual current	0.5 mA preactuator end
Fault type	Short-circuit Overload
Fault indication	Without
Switchable inductive energy L/R	<= 400(U.I) ms
Maximum circuit breaker threshold	0.75 A
Response time	<= 0.1 ms from state 1 to 0 <= 0.2 ms from state 0 to 1
Switching frequency	< 0.6/LI ² Hz
Installation category	II IEC 60664-1
Tightening torque	5.31 lbf.in (0.6 N.m) flat Ø 3.5 mm
Width	4.92 in (125 mm)
Net Weight	0.88 lb(US) (0.4 kg)

Environment

Product Certifications	GL UL LROS (Lloyds register of shipping) DNV BV CSA EAC
IP degree of protection	IP2x conforming to IEC 60529
Protective treatment	TC
Resistance to incandescent wire	1382 °F (750 °C) 30 s IEC 60695-2-11
Shock resistance	15 gn 11 ms IEC 60068-2-27
Resistance to radiated fields	9.14 V/m (10 V/m) 26000000...1000000000 Hz)IEC 61000-4-3 level 3
Resistance to fast transients	2 kV level 3 IEC 61000-4-4
Ambient air temperature for operation	23...140 °F (-5...60 °C) IEC 61131-2
Ambient air temperature for storage	-40...176 °F (-40...80 °C) IEC 61131-2
Pollution degree	2 IEC 60664-1

Ordering and shipping details

Category	22375 - INTERFACE MODULE(ABA,R,S)
Discount Schedule	CP2
GTIN	3389110838862
Nbr. of units in pkg.	1
Package weight(Lbs)	12.24 oz (346.9 g)
Returnability	No
Country of origin	LV

Packing Units

Unit Type of Package 1	PCE
Package 1 Height	2.80 in (7.1 cm)
Package 1 width	3.27 in (8.3 cm)
Package 1 Length	5.35 in (13.6 cm)
Unit Type of Package 2	S02
Number of Units in Package 2	9
Package 2 Weight	7.78 lb(US) (3.529 kg)
Package 2 Height	5.91 in (15 cm)
Package 2 width	11.81 in (30 cm)
Package 2 Length	15.75 in (40 cm)

Offer Sustainability

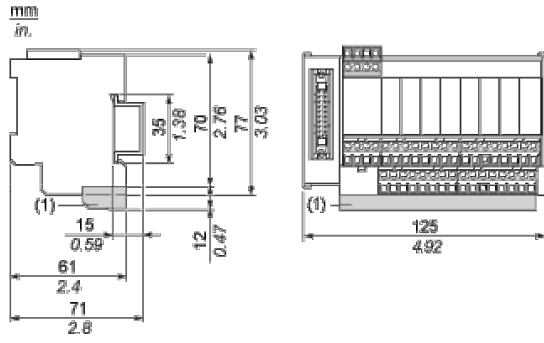
Sustainable offer status	Green Premium product
California proposition 65	WARNING: This product can expose you to chemicals including: Lead and lead compounds, which is known to the State of California to cause cancer and birth defects or other reproductive harm. For more information go to www.P65Warnings.ca.gov
REACH Regulation	REACH Declaration
REACH free of SVHC	Yes
EU RoHS Directive	Pro-active compliance (Product out of EU RoHS legal scope) EU RoHS Declaration
Mercury free	Yes
RoHS exemption information	Yes
China RoHS Regulation	China RoHS Declaration
Environmental Disclosure	Product Environmental Profile

Circularity Profile	End Of Life Information
WEEE	The product must be disposed on European Union markets following specific waste collection and never end up in rubbish bins.

Contractual warranty

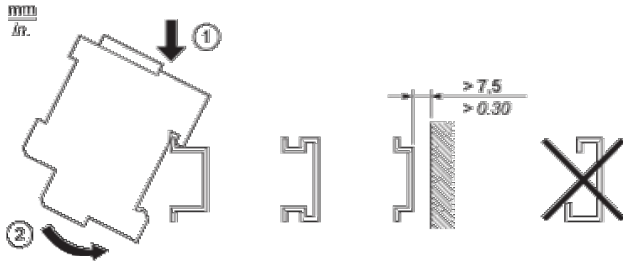
Warranty	18 months
----------	-----------

Dimensions

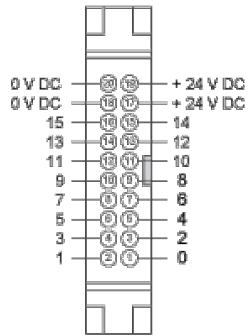


(1) ABE7BV20 / ABE7BV20E

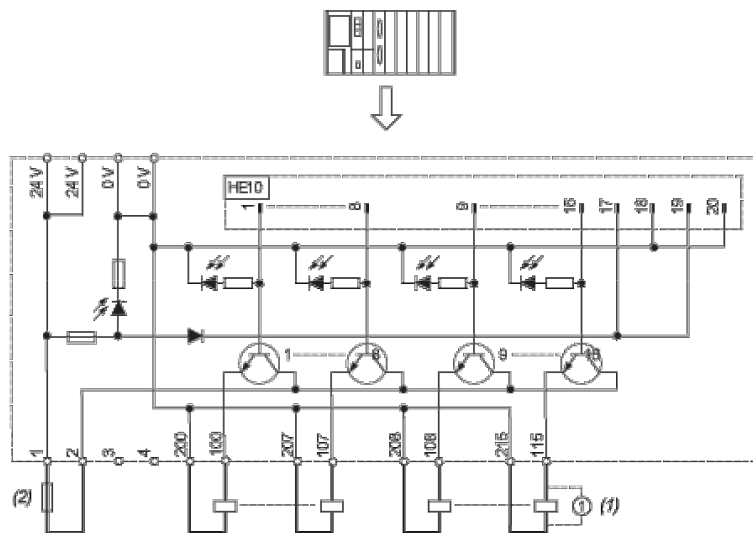
Mounting



HE10 16 Channels



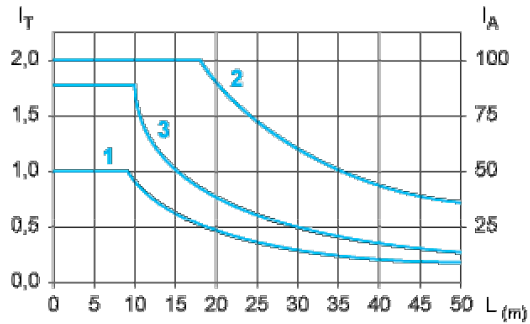
Wiring Diagram



- (1) Inductive load
- (2) AB1FUSE435U5X + quick acting FUSE 5 x 20 type F.

Curves for Determining Cable Type and Length According to the Current

16-channel Sub-base



L Cable length

I_T Total current per sub base (A)

I_A Average current per channel (mA)

(1) TSXCDP••2 and ABFH20H••0 cables with c.s.a. 0.08 mm² (AWG 28).

(2) TSXCDP••3 cables with c.s.a. 0.34 mm² (AWG 22).

(3) Cables with c.s.a. 0.13 mm² (AWG 26).

The curves are given for a voltage drop of 1 V in the cable. For n volts tolerance, multiply the length determined from the graph by n.