
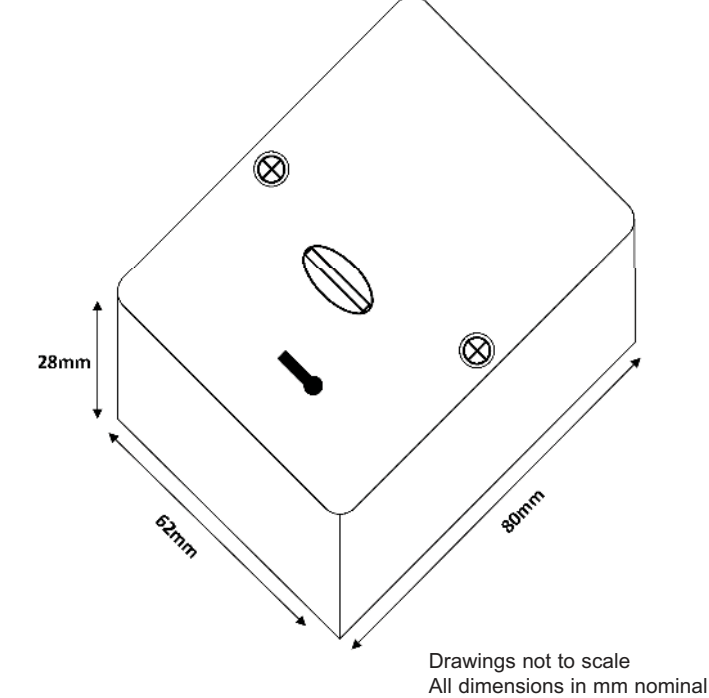


Panic Button- Two Finger Operation, selectable resistors with reset key
Part Number : G3PB002
Product Data Sheet


PICTURE	DIMENSIONS
	 <p>Drawings not to scale All dimensions in mm nominal</p>
DETAILS	

Protection against outside attack. The tactile tamper switch will trigger if the front cover is removed.

Connect the tamper switch circuit to the TMP terminals. Once the lid is removed the circuit will be broken.

Ensure all cables are secure and cannot short out to other connections or components.

Note: When refitting the cover you should hear a slight click this will indicate that the tamper switch has operated correctly.

Features Include	Specifications		
<ul style="list-style-type: none"> • 2 finger operation. • Slim design access. • Tamper switch protection. • Easily resettable with rotation of key. 	<ul style="list-style-type: none"> • BE EN50131-2-6 Approved. • Grade 3. • Slim curved design. • Multiple cable entry points. • Selectable resistors 		
Did you know we also sell?			
			
Rev. No.	Revision Note	Date	Signature
1	Datasheet	16-09-15	ML



As part of the company policy of continued product improvement, specifications may change without notice. Our sales office will be pleased to help you with the latest information on this product range and the details of our full design and manufacturing service. All products are supplied to our standard conditions of sale unless otherwise agreed in writing.

Phone : +44 (0)1255 862236

www.comus-intl.com

Fax: +44 (0)1255 862014