

4

3

2

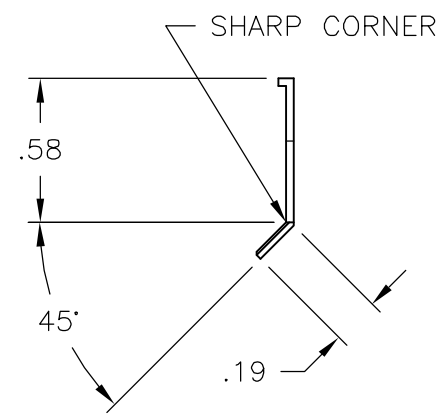
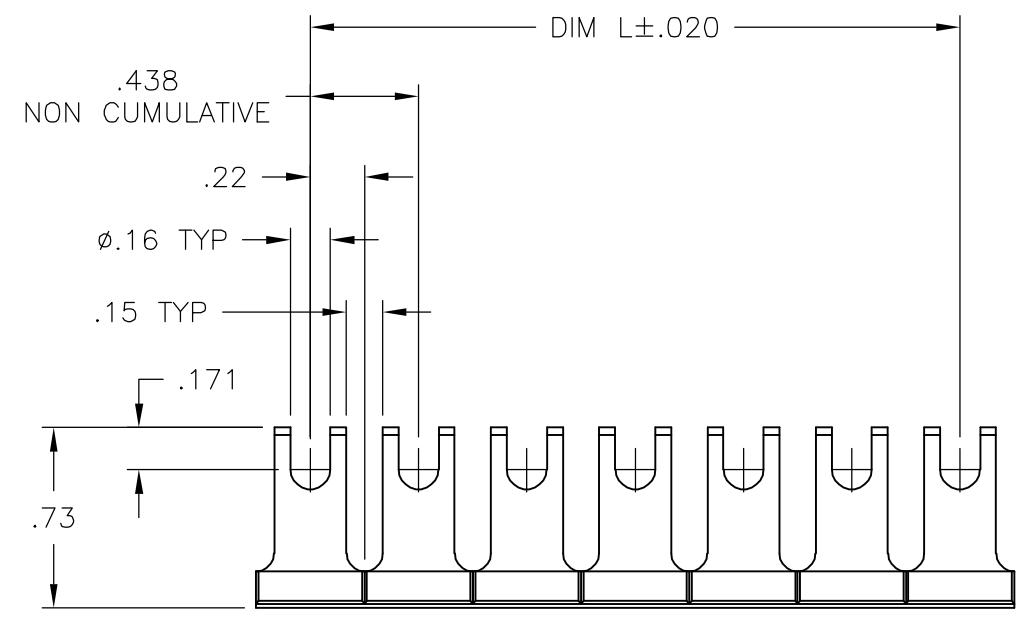
1

THIS DRAWING IS UNPUBLISHED. RELEASED FOR PUBLICATION
 © COPYRIGHT - BY TYCO ELECTRONICS CORPORATION. ALL RIGHTS RESERVED.

LOC	DIST	REVISIONS			
P	LTR	DESCRIPTION	DATE	DWN	APVD
FT	0	B	REVISED PER ECO-06-21870	9/18/06	SS SRY

NOTES:

⚠ MATERIAL: TIN PLATED COPPER ALLOY .032 THK.



14.625	J7240	5-1437418-8
DIM L	CATALOG NUMBER	PART NUMBER

THIS DRAWING IS A CONTROLLED DOCUMENT.		DWN S SCHLEGEL 12/3/03	Tyco Electronics Corporation Harrisburg, PA 17105-3608		
DIMENSIONS: INCHES		CHK S YODER 12/3/03			
TOLERANCES UNLESS OTHERWISE SPECIFIED:		APVD S YODER 12/3/03	NAME .4375 AROUND BARRIER FLANGED SPADE TYPE BREAK-APART 40 POSITION JUMPER		
0 PLC ± - 1 PLC ± - 2 PLC ± .01 3 PLC ± .005 4 PLC ± - ANGLES ± 1°		PRODUCT SPEC -	RESTRICTED TO -		
MATERIAL - ⚠		APPLICATION SPEC -	SIZE A3	CAGE CODE 00779	DRAWING NO C-5-1437418-8
FINISH -		WEIGHT -	CUSTOMER DRAWING		SCALE NTS
		SHEET 1 OF 1		REV B	