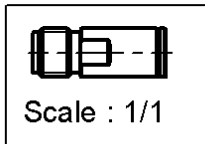
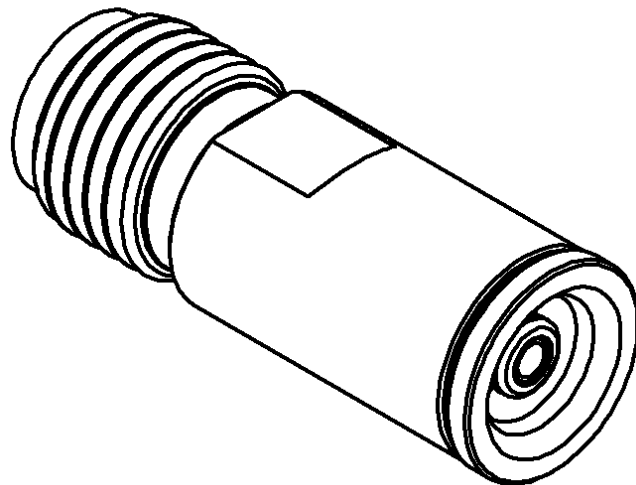
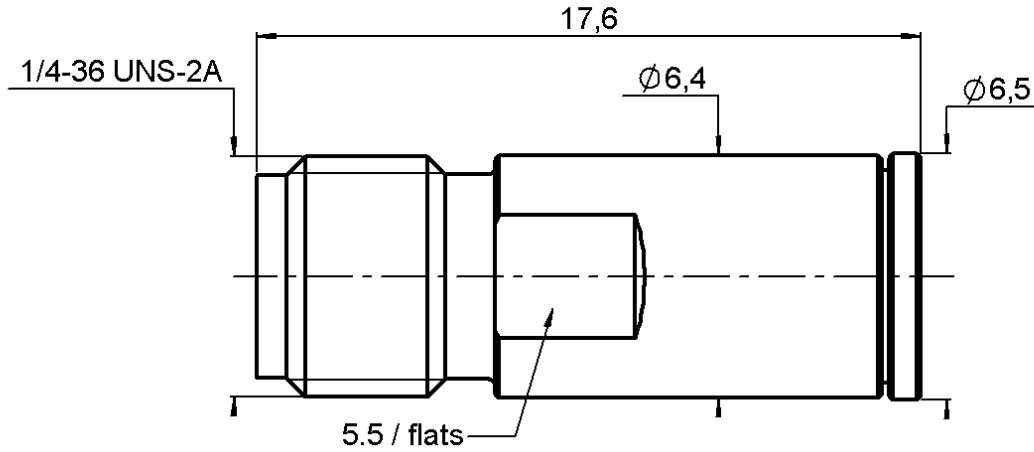


SMA FEMALE-MMBX FEMALE STRAIGHT ADAPTER

**R191.389.400**

Série : ADAPT



All dimensions are in mm.



COMPONENTS	MATERIALS	PLATING (µm)
BODY	BRASS	GOLD 0.2 OVER NON MAGN NICKEL 2
CENTER CONTACT	BERYLLIUM COPPER	GOLD 1.3 OVER NICKEL 2
OUTER CONTACT	-	-
INSULATOR	LIQUID CRISTAL POLYMER ,PTFE	-
GASKET	-	-
OTHERS PARTS	-	-
-	-	-
-	-	-

Issue : 0623 A

In the effort to improve our products, we reserve the rights to make changes judged to be necessary.



**SMA FEMALE-MMBX FEMALE STRAIGHT ADAPTER**

**R191.389.400**

Série : ADAPT

**PACKAGING**

**SPECIFICATION**

Standard	Unit	Other
	<b>'W' option</b>	<b>Contact us</b>

**ELECTRICAL CHARACTERISTICS**

**ENVIRONMENTAL**

Impedance	<b>50</b>	$\Omega$
Frequency	<b>0-12.4</b>	GHz
VSWR	<b>1.083 + 0,0000</b>	x F(GHz) Maxi
Insertion loss	<b>0.12</b>	$\sqrt{F}$ (GHz) dB Maxi
RF leakage	- ( <b>100</b> )	- F(GHz) dB Maxi
Voltage rating	<b>330</b>	Veff Maxi
Dielectric withstanding voltage	<b>500</b>	Veff mini
Insulation resistance	<b>1000</b>	M $\Omega$ mini

Operating	<b>-55/+155°</b>	° C
Hermetic seal	<b>NA</b>	Atm.cm3/s
Panel leakage	<b>NA</b>	

**MECHANICAL CHARACTERISTICS**

**OTHER CHARACTERISTICS**

Center contact retention		
Axial force – Mating end	<b>10</b>	N mini
Axial force – Opposite end	<b>10</b>	N mini
Torque	<b>NA</b>	N.cm mini

to 6 GHz  
Interface MMBX only up to 2.5GHz

Recommended torque		
Mating	<b>0</b>	N.cm
	<b>0</b>	N.cm
	<b>0</b>	N.cm
Panel nut	<b>NA</b>	N.cm

Mating life	<b>500</b>	Cycles mini
Weight	<b>2,7300</b>	g

Issue : 0623 A

In the effort to improve our products, we reserve the rights to make changes judged to be necessary.

