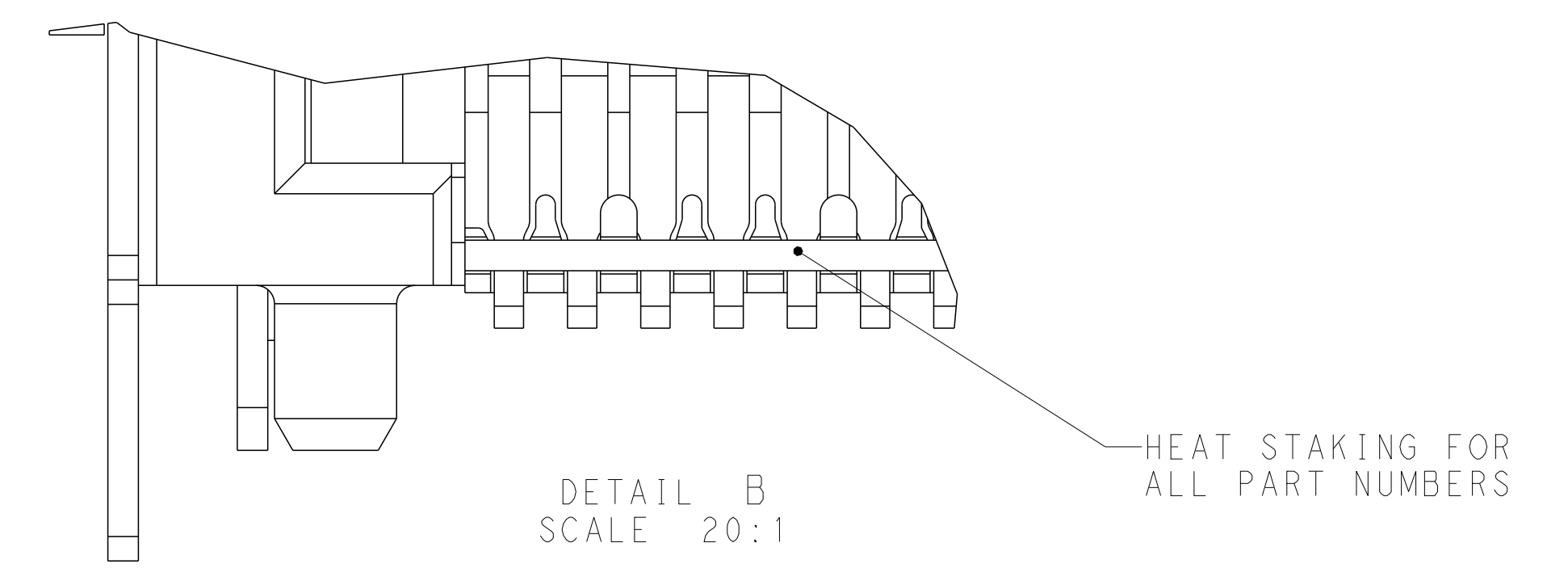
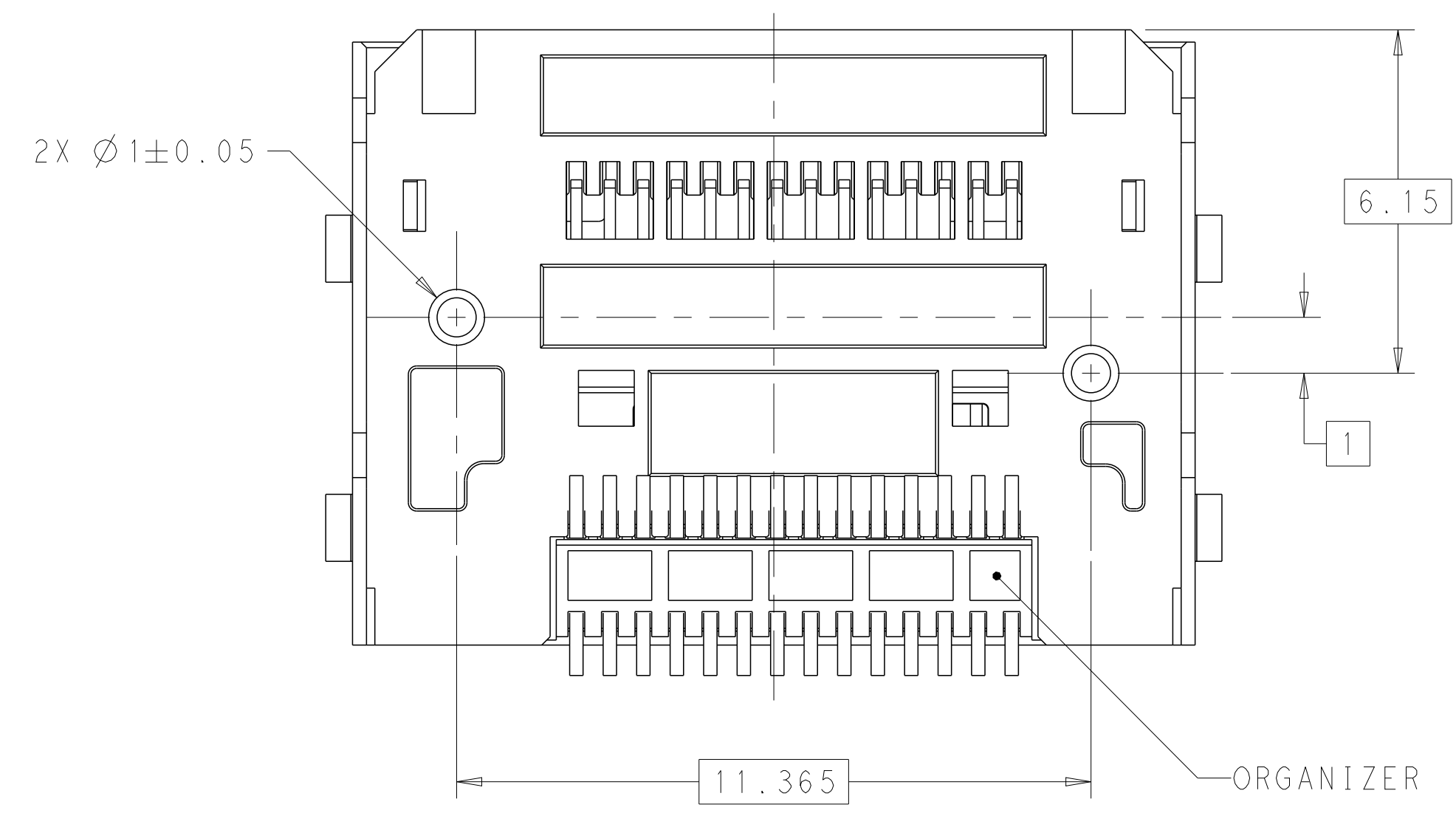
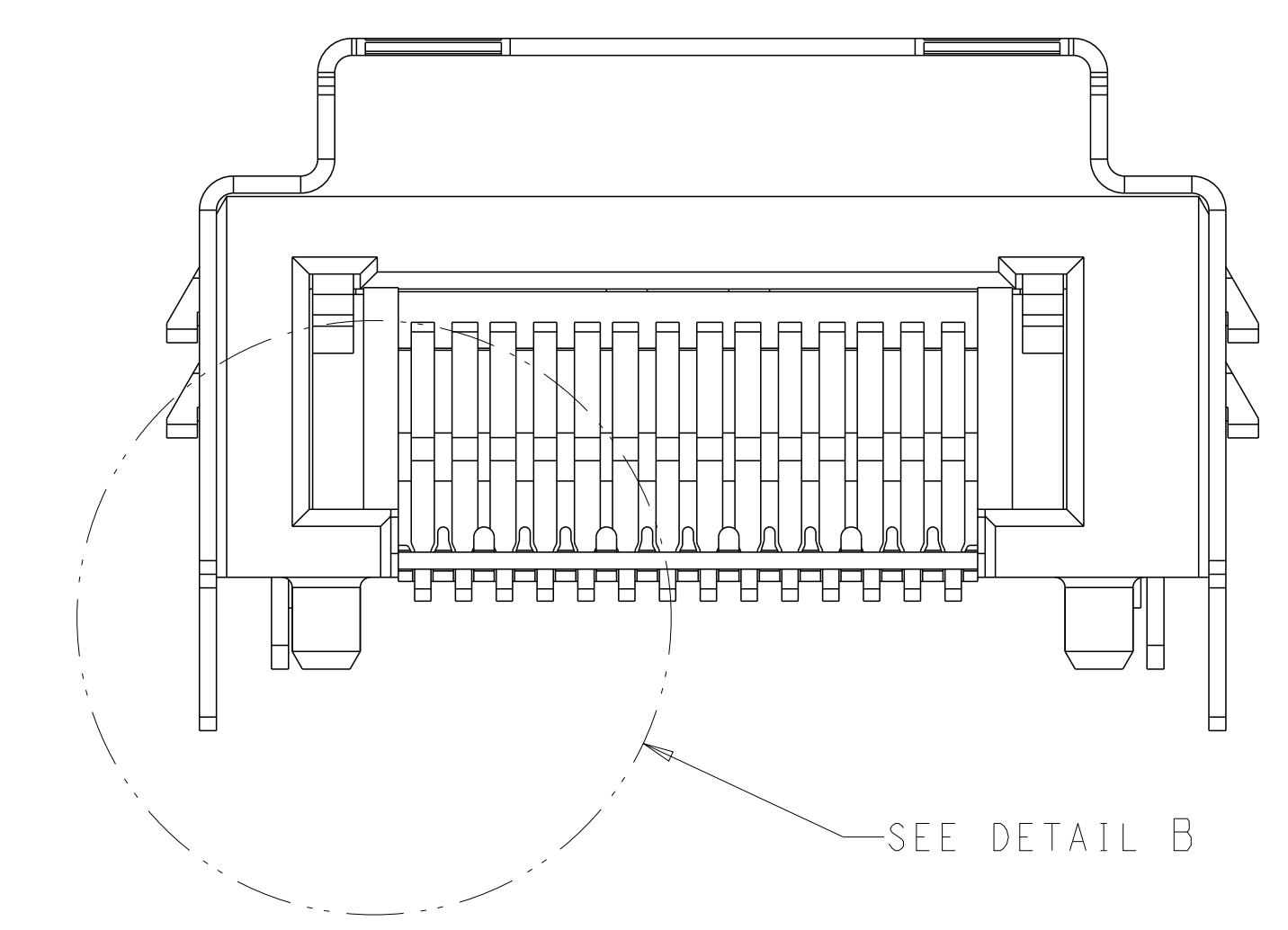
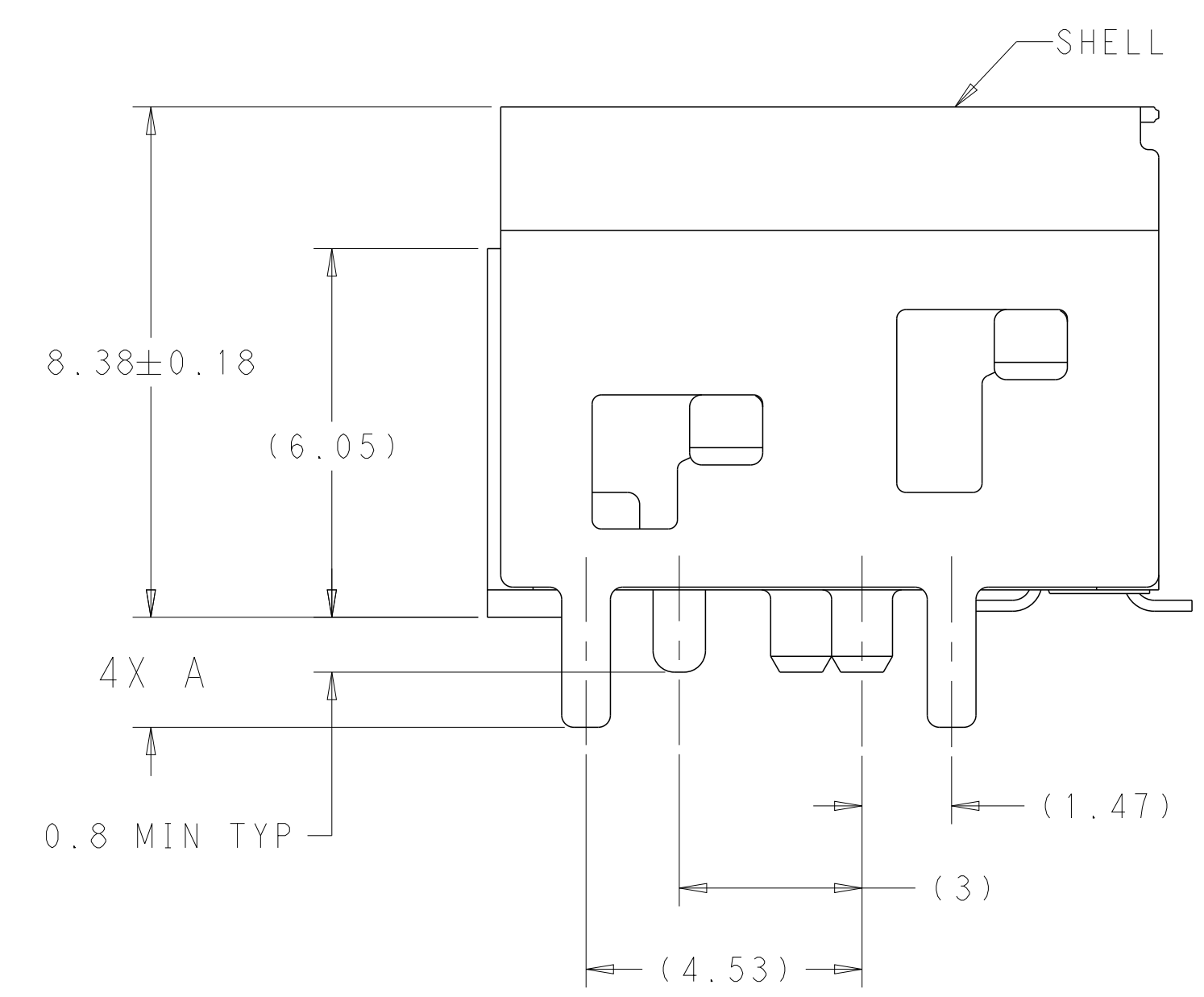
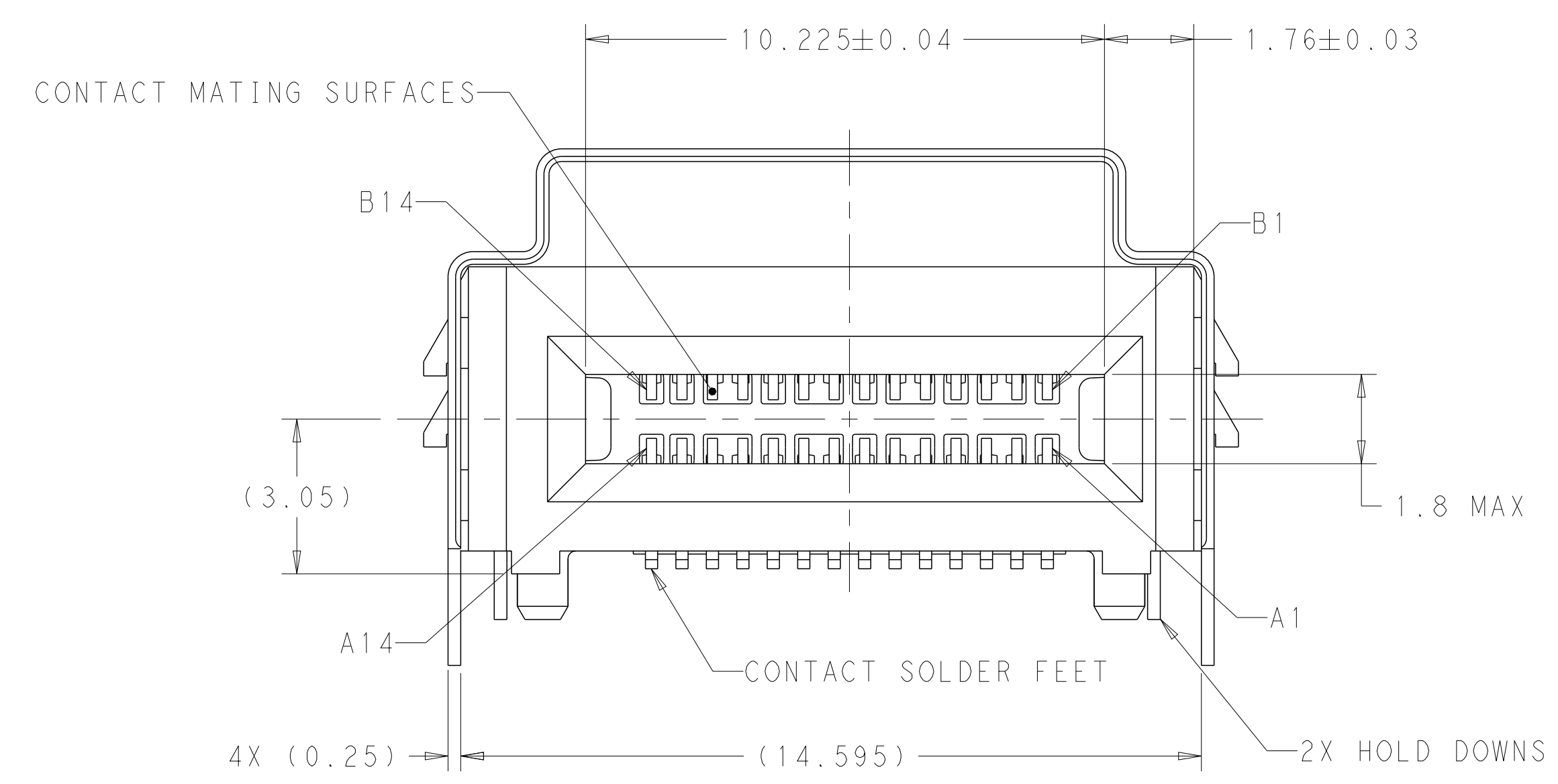
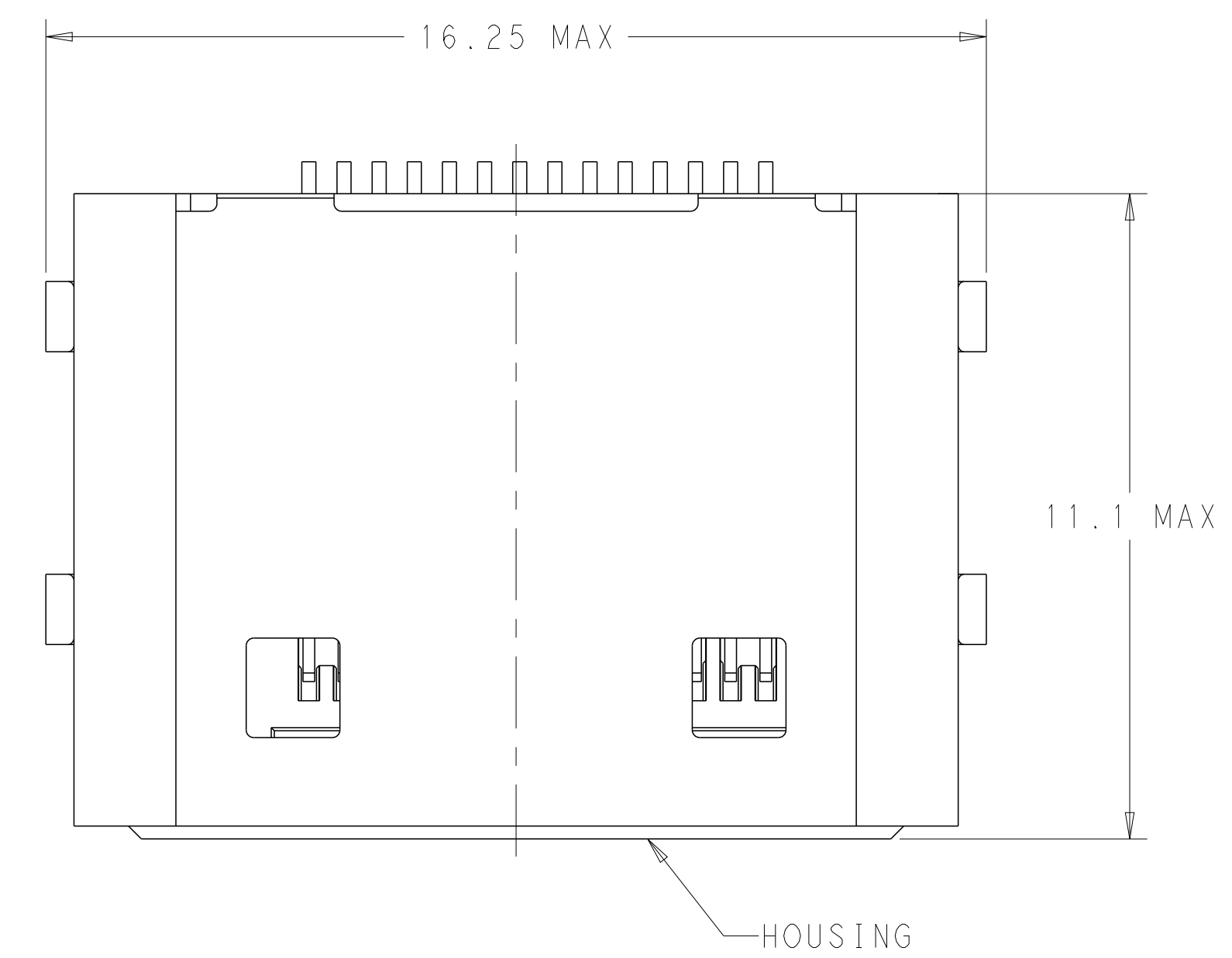


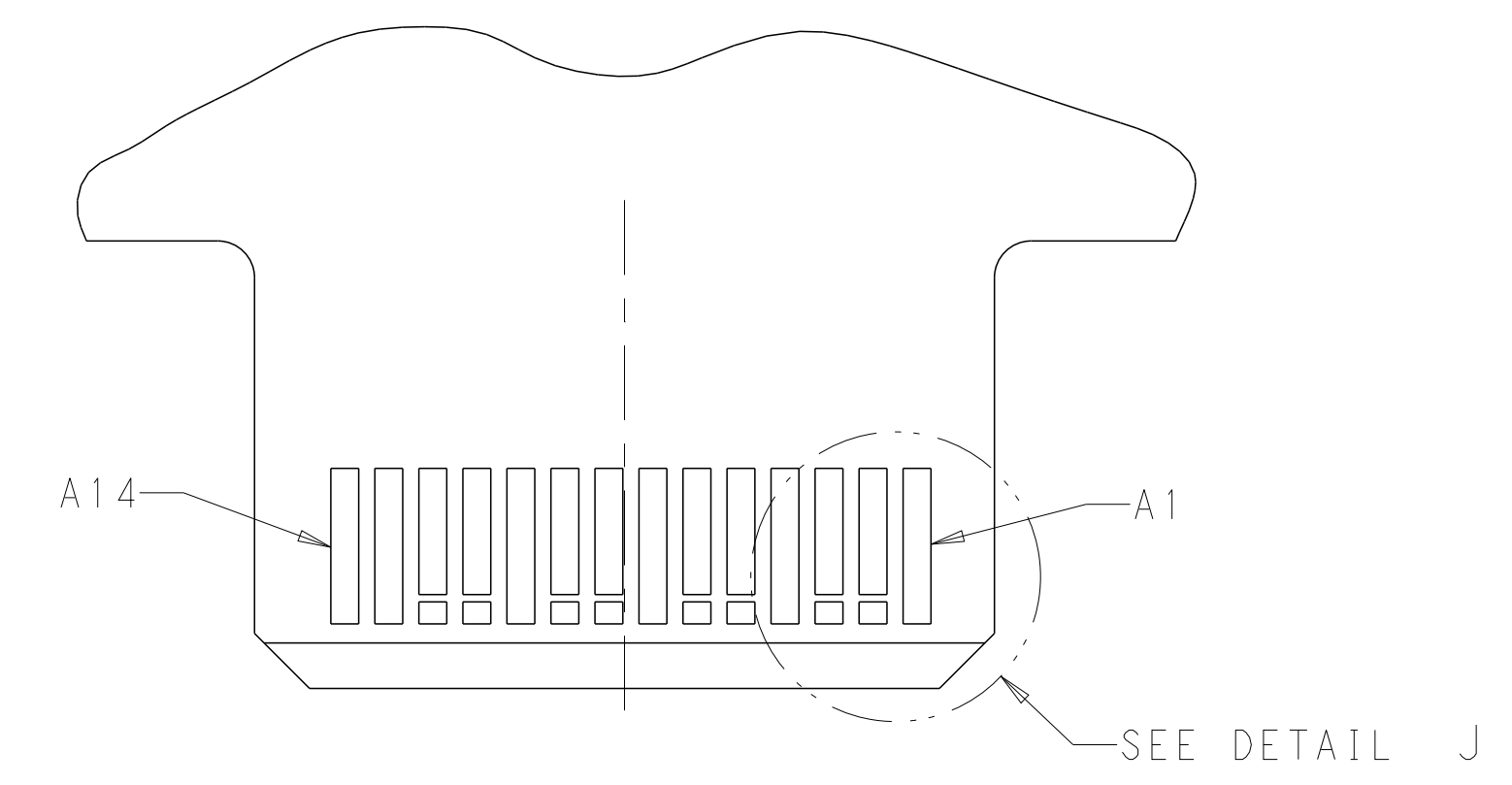
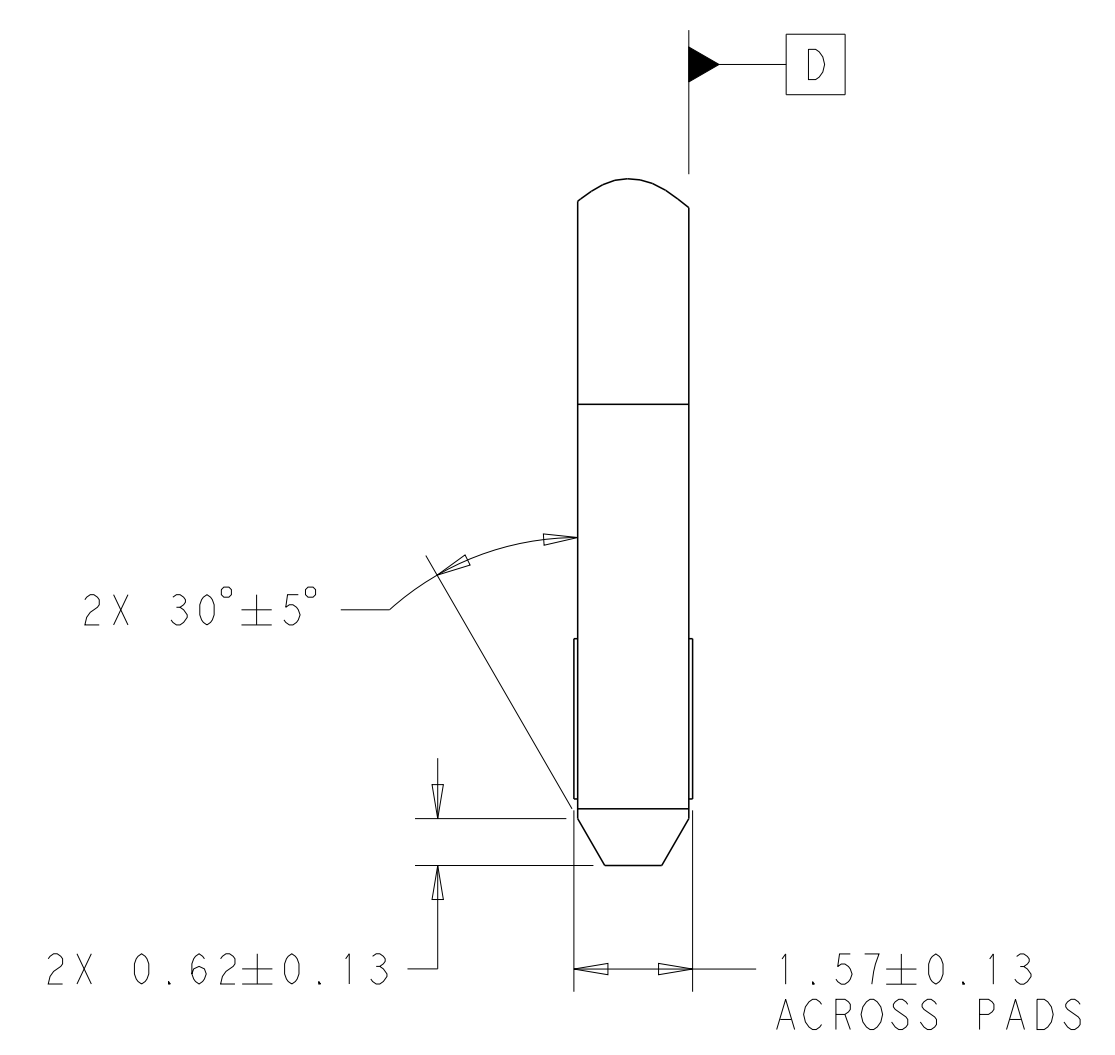
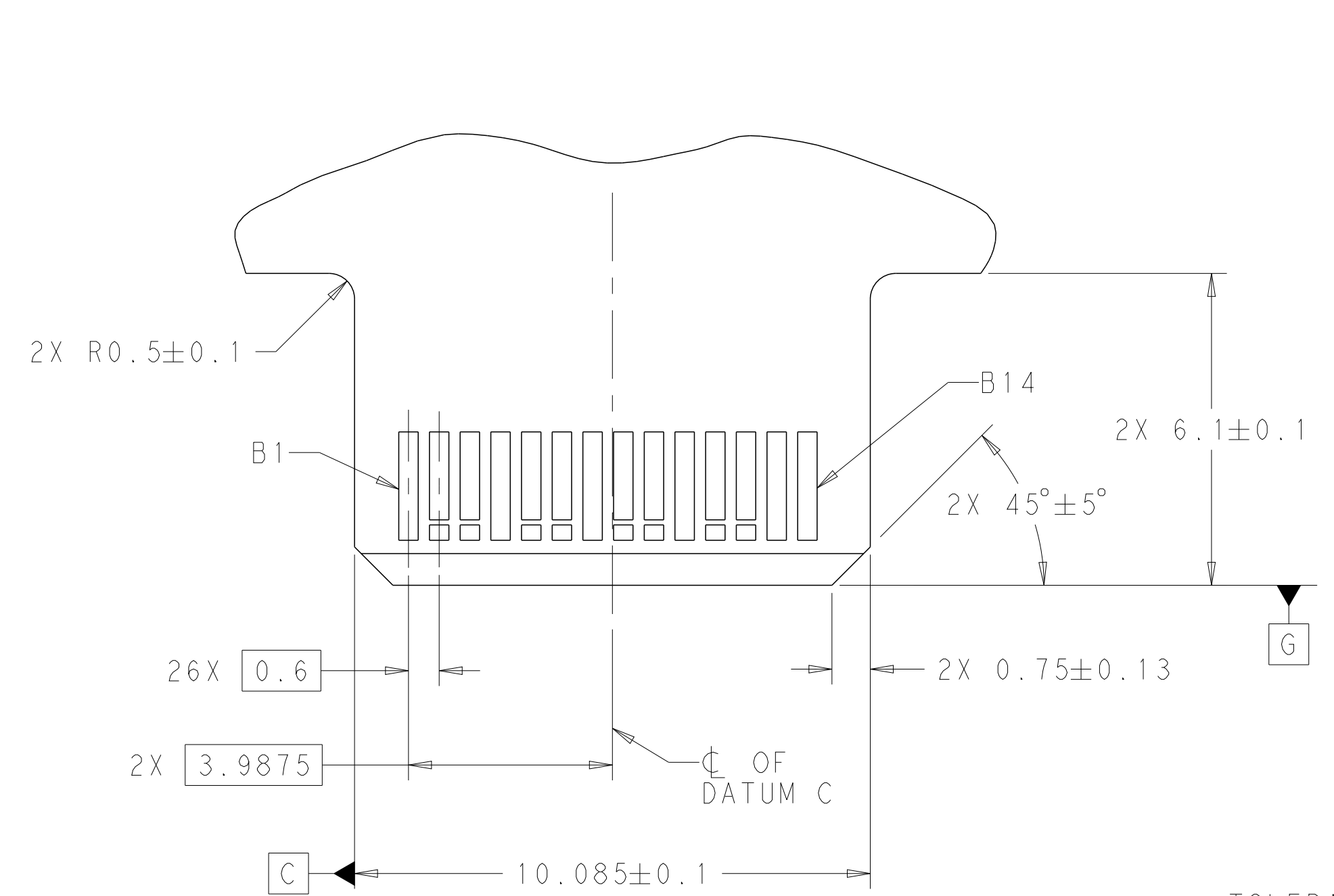
REVISIONS				
P	LTN	DESCRIPTION	DATE	APVD
A		RELEASED PER ECO-19-014774	26SEP2019	CJV JW
B		REVISED PER ECN-21-126523	15MAR2022	TM DZ
C		REVISED PER ECN-22-152380	13JUN2022	TX DZ



- 1 HOUSING, ORGANIZER AND CONTACT OVERMOLDS - LCP, UL94V-0, BLACK. CONTACTS AND HOLD DOWNS - COPPER ALLOY.
- 2 CONTACTS - GOLD PLATE ON MATING SURFACES, TIN PLATE ON SOLDER FEET. HOLD DOWNS - TIN PLATE. SHELL - NICKEL PLATE, TIN PLATE ON HOLD DOWNS.
- 3 DATUMS AND BASIC DIMENSIONS ESTABLISHED BY CUSTOMER.
- 4. MINIMUM HOST PCB THICKNESS: 1.5.
- 5 SEE MSA SPECIFICATION FOR ADDITIONAL PADDLE CARD LAYOUTS COMPATIBLE WITH THIS RECEPTACLE AND FOR OPTIONAL SPLIT CONTACT PAD LAYOUTS FOR THE PADDLE CARD. SPECIFICATION PINOUT MAY ALSO DESIGNATE PAD SEQUENCE DIFFERENT FROM ILLUSTRATION.
- 6 POSITIONS DESIGNATED AS "SIGNAL" ARE REQUIRED LOCATIONS FOR HIGH SPEED DIFFERENTIAL PAIR SIGNALING. THESE LOCATIONS MAY ALSO BE USED FOR SUPPORTING SIDEBAND SIGNALS OR OTHER UTILITY PURPOSES. POSITIONS DESIGNATED AS "GROUND" ARE REQUIRED WHEN SUPPORTING HIGH SPEED DIFFERENTIAL SIGNALS. THESE LOCATIONS MAY ALSO BE USED FOR SIDEBAND SIGNALS OR OTHER UTILITY PURPOSES.
- 7 RECOMMENDED COMPONENT KEEP OUT AREA.
- 8 RECOMMENDED COMPONENT AND TRACES KEEP OUT AREA.
- 9 TAPE AND REEL PACKAGED FOR PICK AND PLACE SMT PROCESSING, SEE FIGURE 1. POCKET TAPE: WIDTH = 32.

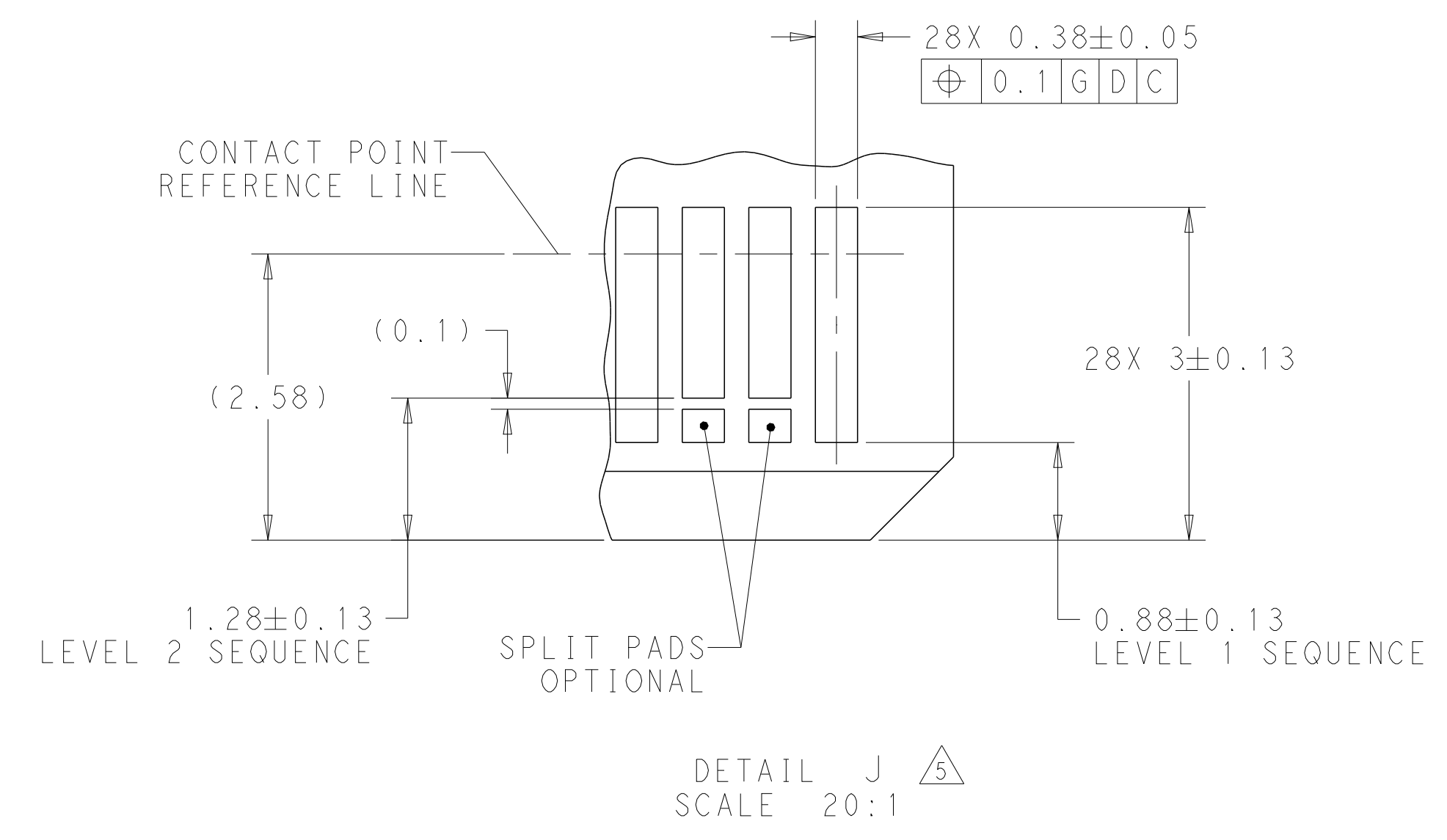
THIS DRAWING IS A CONTROLLED DOCUMENT.		OWN: M. SHIRK 25OCT2018	TE Connectivity
DIMENSIONS: mm		CHK: D. HARMON 25OCT2018	
TOLERANCES UNLESS OTHERWISE SPECIFIED:		APVD: D. HARMON 25OCT2018	NAME: RECEPTACLE ASSEMBLY, RIGHT ANGLE, 28 POSN, SLIVER 2.0
0 PLC ±	1 PLC ±	PRODUCT SPEC	SIZE: CAGE CODE DRAWING NO
2 PLC ±	3 PLC ±	108-130021	RESTRICTED TO
4 PLC ±	ANGLES ±	APPLICATION SPEC	SCALE 10:1 SHEET 1 OF 4 REV C
MATERIAL	FINISH	114-130015	
		WEIGHT	
		CUSTOMER DRAWING	

REVISIONS				
P	LTN	DESCRIPTION	DATE	APVD
-	-	SEE SHEET 1	-	-



RECOMMENDED PCB OUTLINE DIMENSIONS:
 TOLERANCE VALUES ARE CRITICAL. PLEASE BE SURE TO DESIGNATE
 TOLERANCES TO PCB SUPPLIER TO ENSURE OPTIMIZED FUNCTIONALITY.

CONTACT NUMBER	SIDE A	SIDE B
1	GROUND	GROUND
2	SIGNAL	SIGNAL
3	SIGNAL	SIGNAL
4	GROUND	GROUND
5	SIGNAL	SIGNAL
6	SIGNAL	SIGNAL
7	GROUND	GROUND
8	SIGNAL	SIGNAL
9	SIGNAL	SIGNAL
10	GROUND	GROUND
11	SIGNAL	SIGNAL
12	SIGNAL	SIGNAL
13	GROUND	GROUND
14	GROUND	GROUND



CONNECTOR CONTACT IDENTIFICATION

THIS DRAWING IS A CONTROLLED DOCUMENT.		OWN: M. SHIRK 25OCT2018	TE Connectivity
DIMENSIONS: mm		CHK: D. HARMON 25OCT2018	
TOLERANCES UNLESS OTHERWISE SPECIFIED:		APVD: D. HARMON 25OCT2018	NAME: RECEPTACLE ASSEMBLY, RIGHT ANGLE, 28 POSN, SLIVER 2.0
0 PLC ±	1 PLC ±	PRODUCT SPEC	SIZE: CAGE CODE DRAWING NO
2 PLC ±	3 PLC ±	108-130021	RESTRICTED TO
4 PLC ±	ANGLES ±	APPLICATION SPEC	A100779C=2345808
MATERIAL	FINISH	114-130015	SCALE 10:1 SHEET 3 OF 4 REV C
CUSTOMER DRAWING		WEIGHT	

REVISIONS					
P	LTN	DESCRIPTION	DATE	DMN	APVD
-		SEE SHEET 1	-	-	-

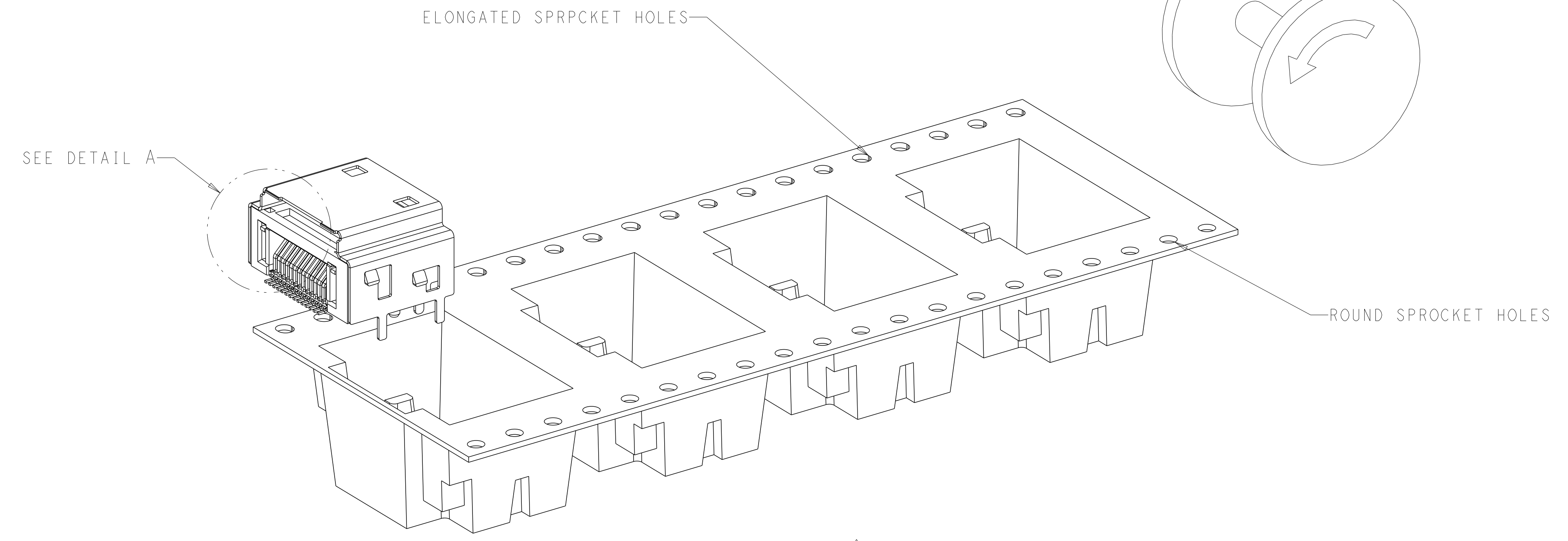
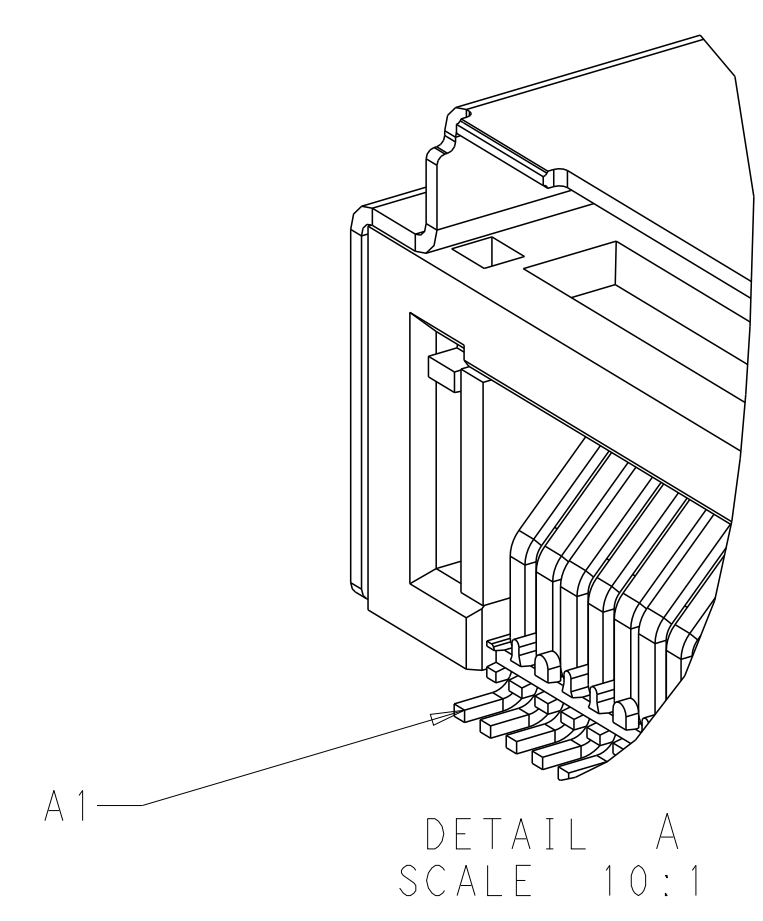


FIGURE 1
 DIRECTION OFF TOP OF REEL
 FOR USER UNREELING FOR 2345808-1 TO 2345808-6
 SCALE 4:1

1.2±0.2	0.76 μm Au	24	300	200	1-2345808-6
	0.38 μm Au			100	1-2345808-5
	FLASH Au/PdNi			50	1-2345808-4
1.8 +0.2/-0.1	0.76 μm Au	24	300	200	1-2345808-3
	0.38 μm Au			100	1-2345808-2
	FLASH Au/PdNi			50	1-2345808-1
1.2±0.2	0.76 μm Au	20	350	200	2345808-6
	0.38 μm Au			100	2345808-5
	FLASH Au/PdNi			50	2345808-4
1.8 +0.2/-0.1	0.76 μm Au	20	350	200	2345808-3
	0.38 μm Au			100	2345808-2
	FLASH Au/PdNi			50	2345808-1
A	PLATING	POCKET TAPE PITCH	REEL QUANTITY	MATING CYCLES	PART NUMBER

THIS DRAWING IS A CONTROLLED DOCUMENT.

DIMENSIONS:	TOLERANCES UNLESS OTHERWISE SPECIFIED:	DMN	M. SHIRK	25OCT2018
mm	0 PLC ±	CHK	D. HARMON	25OCT2018
	1 PLC ±	APVD	D. HARMON	25OCT2018
	2 PLC ±	PRODUCT SPEC		
	3 PLC ±	APPLICATION SPEC		
	4 PLC ±	SIZE	CAGE CODE	DRAWING NO
	ANGLES	114-130015		
MATERIAL	FINISH	WEIGHT		

STE TE Connectivity

NAME: RECEPTACLE ASSEMBLY, RIGHT ANGLE, 28 POSN, SLIVER 2.0

SIZE: A1 00779 C=2345808

CUSTOMER DRAWING SCALE 10:1 SHEET 4 OF 4 REV C