

BB-WSD2C21150
BB-WSD2C06010
BB-WSD2C31010
BB-WSD2M06010
BB-WSD2M31010
BB-WSD2M3101P2K
BB-WSD2M3101R100

Wzzard™ Mesh Wireless Sensors – for Industrial Applications



PRODUCT FEATURES

- + Ultra-low power 802.15.4e SmartMesh® IP technology
- + Communicates with SmartSwarm-342 gateway via scalable and reliable wireless mesh networks

+ Connect to most any industry standard sensors

+ 5XJJHG ,3 UDWHG ¿EHU UHLQIRUFHG SRC

+ 0477 DQG -621 ,R7 SURWRFRO WR DSSOLFDV

+ 6HQVRU LQWHUIDFH FDEOH DQG DQWHQQD I

+ 8/ /LVWHG & ' IRU KD]DUGRXV ORFDWLRQV

Wireless Connectivity Where You Need It

7KH :]]DUG LQWHOOLJHQW ZLUHOHV VHQVRU SODWIRUP FUHDWHV D FRPSOHWH TX and easy connectivity stack between your sensors and application – on your QHWZRUN RU WKH ,QWHUQHW 7KH SODWIRUP XVHV :]]DUG PHVK VHQVRU HGJH QRGH and a wireless 802.15.4e SmartMesh IP network to transmit sensor data to D 6PDUW6ZDUP *DWHZD\ 7KH JDWHZD\ FDQ FRQQHFW WR WKH ,QWHUQHW YLD ZLUHG connections or cellular data networks and communicate with application SODWIRUPV XVLQJ WKH 0477 ,R7 SURWRFRO DQG -621 GDWD IRUPDWV

:]]DUG PHVK ZLUHOHV VHQVRU QRGHV FDQ DFFRPPRGDWH YLUWXDOO\ DQ\ industry-standard external sensors. Connections can be made via M12 FRQQHFWRU RU FRQGXLW ¿WWLQJ 7KH QRGHV SURYLG D ZLGH YDULHW\ RI VHQVRU LQWHUIDFH RSWLRQV LQFOXGLQJ JHQHUDO SXUSRVH DQDORJ LQSXW GLJLWDO LQS and thermocouple. All nodes contain an internal temperature sensor.

Secure, Reliable and Highly Scalable Wireless Networking

7KH H :]]DUG SODWIRUP XVHV PHVK QHWZRUNLQJ DQG WLPV V\QFKURQLJHG FKDQQHO KRSSLQJ WYHSURYLG XS WR FRQQHFWLYLW\ LQ WKH PRVW GHPDQLQJ 5) HQYLURQPHQWV 1HZ QRGHV PD\ EH DGGHG DW DQ\ WLPV DQG WKH 6PDUW0HVK ,3 QHWZRUN ZLOO G\QDPLFDOO\ VHOI FRQ¿JXUH DV QHZ nodes are added or removed.

Easy Configuration and Installation

&RQ¿JXUDWLRQ RI WKH :]]DUG VHQVRU SODWIRUP LV HDV\ YLD WKH 6PDUW6ZDUP *DWHZD\ 1RGHV FDQ EH FRQ¿JXUH G ZLWK VFDOLQJ LQIRUPDWLRQ HQJ XQLWV IULHQGO\ QDPHV JHR ORFDWLRQ DQG RWKHU GHVFULSWLYH LQIRUPDWLRQ

7KH SODWIRUP VLPSOL¿HV SK\VLFDQ LQVWDOODWLRQ WRR 1RGHV FDQ EH DWDFK DQ\ VXUIDFH YLD PRXQWLQJ HDU DQJHV DQG VFUHZV RU WKH HPEHGGHG PDJQHWLF EDVH 0DJQHWLF PRXQW LV FRQYHQWLQW IRU 5) OLQN ORFDWLRQ GHWHUPLQDWLRQ RWKHU SXUSRVHV 3HUPDQHW XVH RI WKH PDJQHWLF PRXQW LV QRW DSSURYHG IR 8/ LQVWDOODWLRQV 7KH ,3 UDWHG ¿EHU UHLQIRUFHG SRO\HVWHU 3%7 KRXLQJ makes the units deployable in any industrial or commercial environment.

Intelligence at the Network Edge

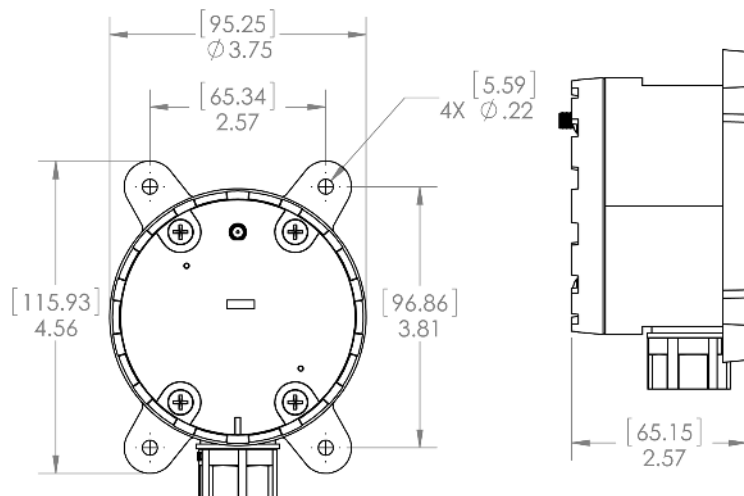
7KH :]]DUG ZLUHOHV SODWIRUP SODWIRUP LQWHOOLJHQFH DW WKH QHWZRUN HGJH :]]DUG PHVK ZLUHOHV VHQVRU QRGHV FDQ EH FRQ¿JXUH WR FRPPXQLFDWH GDWD RQO\ ZKHQ VSHFL¿HG WKUHVKROG RU DOHUW OHYHOV DUH H\FHHGHG :KHQ UHSRUW WKH\ FDQ DVVRFLDWH XVHIXO LQIRUPDWLRQ OLNH JHR ORFDWLRQ GHYLFH QDPH DQ XSWLP 7KLV HOLPLQDWHV XQQHFHVVDU\ QHWZRUN WUDI¿ HDVHV WKH SURFHVVL EXUGHQ RQ XSVWUHP UHVRXUFHV DQG FXWV WKH FRVW RI FHOOXODU GDWD SODQV WKH JDWHZD\ LV XVLQJ WKH FHOOXODU GDWD QHWZRUN 7KDQNV WR ORZ SRZHU ZLU WHFKQRORJ\ DQG SURJUDPPDEOH WLPV V\QFKURQLJDWLRQ WKH :]]DUG PHVK ZLUHOHV VHQVRU QRGHV FDQ RSHUDWH IRU PDQ\ HDUV RQ EDWWHU\ SRZHU

ORDERING INFORMATION

MODEL NUMBER	DESCRIPTION	CONNECTOR	INCLUDES	UL LISTED C1/D2
BB-WSD2C21150	, QGXVWULDO & RZHU 0RQLWFRU 1RGH	9EDW PHDVXUHPH	\$QDORJ , QSXWV 'LJLWDO , QSXW 9EDW PHDVXUHPH 6ZLWFKHG	QGRJU 2XWGRRU w/ mounting ear installation
BB-WSD2C06010	, QGXVWULDO 'LJLWDO , QSXWV WDOGH, QSXWV , QWHUQDO 7HPSHU	9EDW PHDVXUHPH	\$QDORJ , QSXWV 'LJLWDO , QSXW 9EDW PHDVXUHPH 6ZLWFKHG	QGRJU 2XWGRRU w/ mounting ear installation
BB-WSD2C31010	, QGXVWULDO 3RZHU 0RQLWFRU 1RGH	9EDW PHDVXUHPH	\$QDORJ , QSXWV 'LJLWDO , QSXW 9EDW PHDVXUHPH 6ZLWFKHG	QGRJU 2XWGRRU w/ mounting ear installation
BB-WSD2M06010	, QGXVWULDO 'LJLWDO , QSXWV WDOGH, QSXWV , QWHUQDO 7HPSHU	9EDW PHDVXUHPH	\$QDORJ , QSXWV 'LJLWDO , QSXW 9EDW PHDVXUHPH 6ZLWFKHG	QGRJU 2XWGRRU w/ mounting ear installation
BB-WSD2M31010	, QGXVWULDO 3RZHU 0RQLWFRU 1RGH	9EDW PHDVXUHPH	\$QDORJ , QSXWV 'LJLWDO , QSXW 9EDW PHDVXUHPH 6ZLWFKHG	QGRJU 2XWGRRU w/ mounting ear installation
BB-WSD2M3101P2K	, QGXVWULDO 3RZHU 0RQLWFRU 1RGH	9EDW PHDVXUHPH	\$QDORJ , QSXWV 'LJLWDO , QSXW 9EDW PHDVXUHPH 6ZLWFKHG	QGRJU 2XWGRRU w/ mounting ear installation
BB-WSD2M3101R100	, QGXVWULDO 3RZHU 0RQLWFRU 1RGH	9EDW PHDVXUHPH	\$QDORJ , QSXWV 'LJLWDO , QSXW 9EDW PHDVXUHPH 6ZLWFKHG	QGRJU 2XWGRRU w/ mounting ear installation

MECHANICAL DIAGRAM

Units = [Millimeters] Inches



THIONYL CHLORIDE LITHIUM BATTERIES (2 supplied with product)

7HP SHUDWXUH 5D QVH	&
1 RPLQDO & DSD FIAW \	
1 RPLQDO 9ROWWV H	
Diameter	14.5mm
Height	50.5mm

**Potential Hazard: Do not recharge, crush, disassemble or heat above 100 °C (212 °F).*