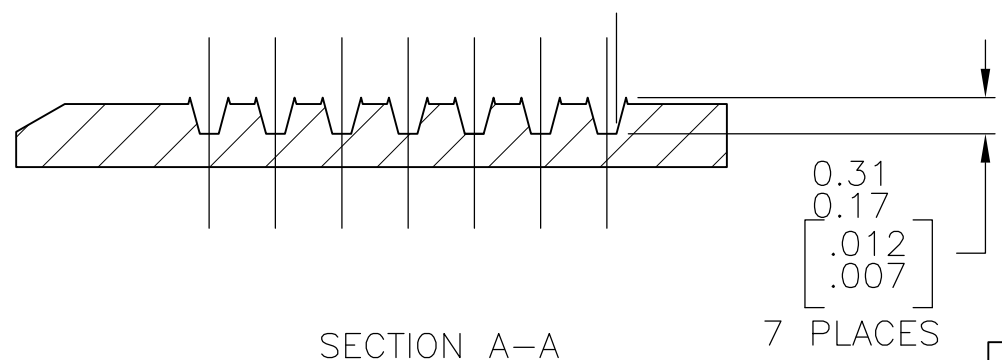
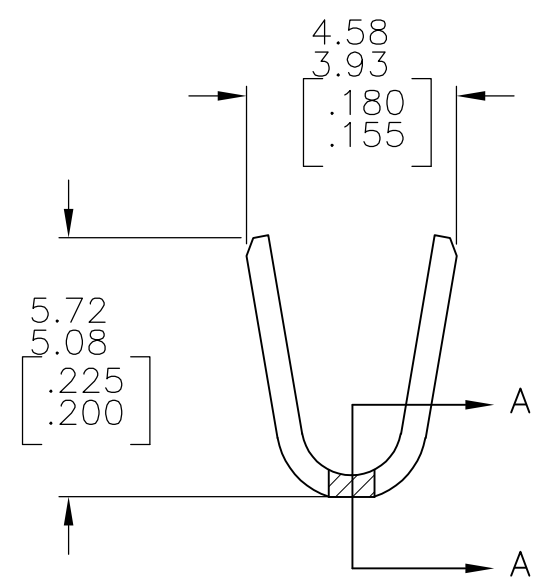
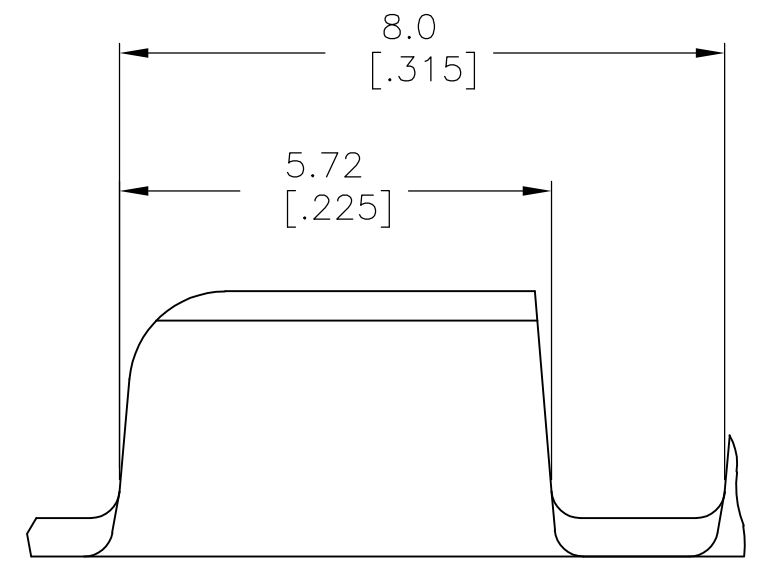
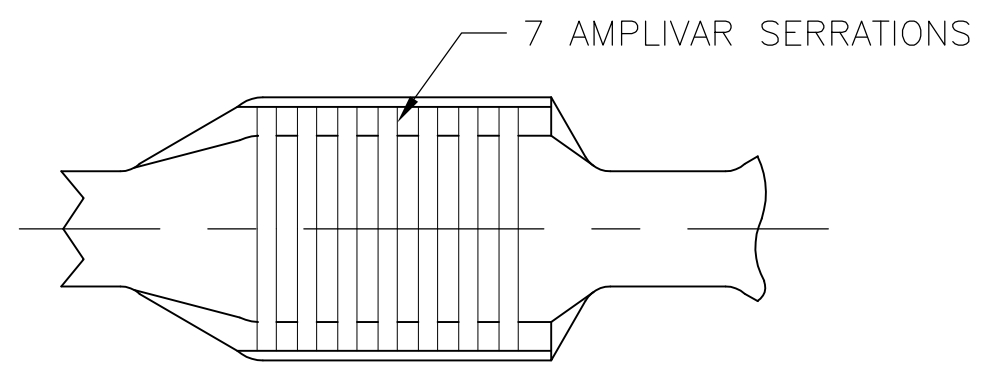


THIS DRAWING IS UNPUBLISHED. RELEASED FOR PUBLICATION  
 © COPYRIGHT BY TYCO ELECTRONICS CORPORATION. ALL RIGHTS RESERVED.

LOC	DIST	REVISIONS					
AF	50	P	LTR	DESCRIPTION	DATE	DWN	APVD
			N1	REVISED PER ECR-10-007904	16APR10	HMR	GP



- 1 PRODUCT PROVIDED IN STRIP FORM ON REELS; BREAKS MAY BE PRESENT.
- 2 DIMENSIONS IN BRACKETS ARE IN INCHES.
- 3 FOR ADDITIONAL INFORMATION, SEE APPLICATION SPEC. 114-2002.
- 4 CRIMP WIDTH: .140 F TYPE (AMPLIVAR PIGTAIL)  
 CRIMP HEIGHT (±.002)=(TOTAL CMA+14600)/243,900  
 CRIMP WIDTH: .180 F TYPE (AMPLIVAR PIGTAIL)  
 CRIMP HEIGHT (±.002)=(TOTAL CMA+16100)/305,400  
 GENERAL APPLICATION GUIDELINES MUST BE FOLLOWED AS SPECIFIED IN CATALOG #82221  
 FOR APPLICATOR INFORMATION CALL:1-800-722-1111  
 FOR PRODUCT INFORMATION CALL:1-800-522-6752

OBSOLETE	REVERSE	TIN PLATE	62001-3
	STANDARD	TIN PLATE	62001-2
	STANDARD	-	62001-1
	REELING	FINISH	PART NO

THIS DRAWING IS A CONTROLLED DOCUMENT.		DWN RAGHAVENDRA 27JUN06	Tyco Electronics Corporation Harrisburg, PA 17105-3608	
DIMENSIONS: mm [INCHES]		CHK G.D.PORTA	NAME	
TOLERANCES UNLESS OTHERWISE SPECIFIED:		APVD G.D.PORTA	SPLICE, AMPLIVAR 3000 - 7000 CMA	
0 PLC ± -		PRODUCT SPEC	SIZE CAGE CODE DRAWING NO RESTRICTED TO	
1 PLC ± -		APPLICATION SPEC	A3 00779 C-62001	
2 PLC ± -		WEIGHT -	SCALE 10:1 SHEET 1 OF 1 REV N1	
3 PLC ± 0.38 [.015]		CUSTOMER DRAWING		
4 PLC ± -				
ANGLES ± 1° 0'				
MATERIAL REF 0.51±0.03 (.020±.001) BRASS		FINISH SEE TABLE		