

PRODUCT DESCRIPTION CODE :

10142396-1XXK LF

RoHS COMPATIBLE, SEE NOTE 3

FOR CUSTOMER CODE :
BLANK = GENERAL USE

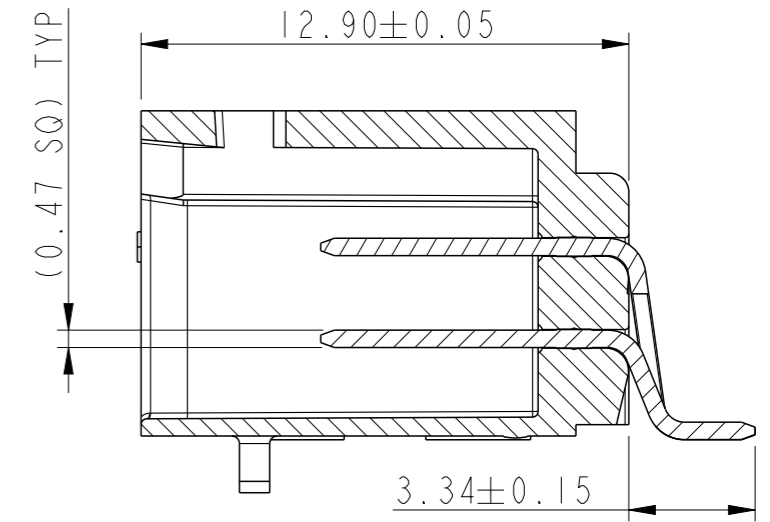
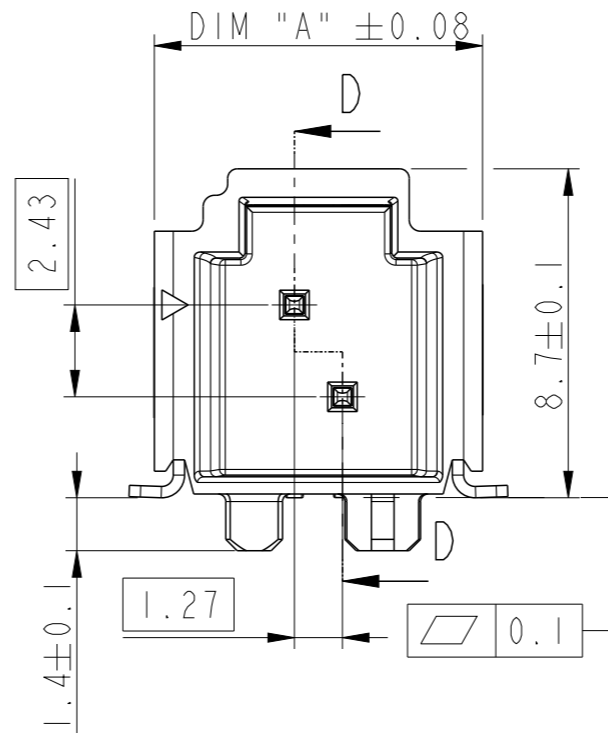
PACKAGING :
K = TAPE & REEL

NUMBER OF POSITIONS : 02 TO 03

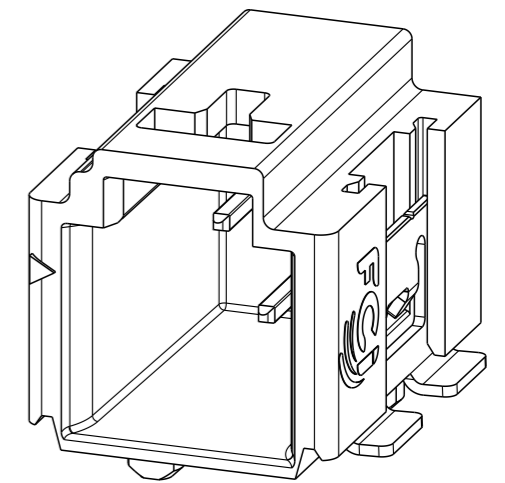
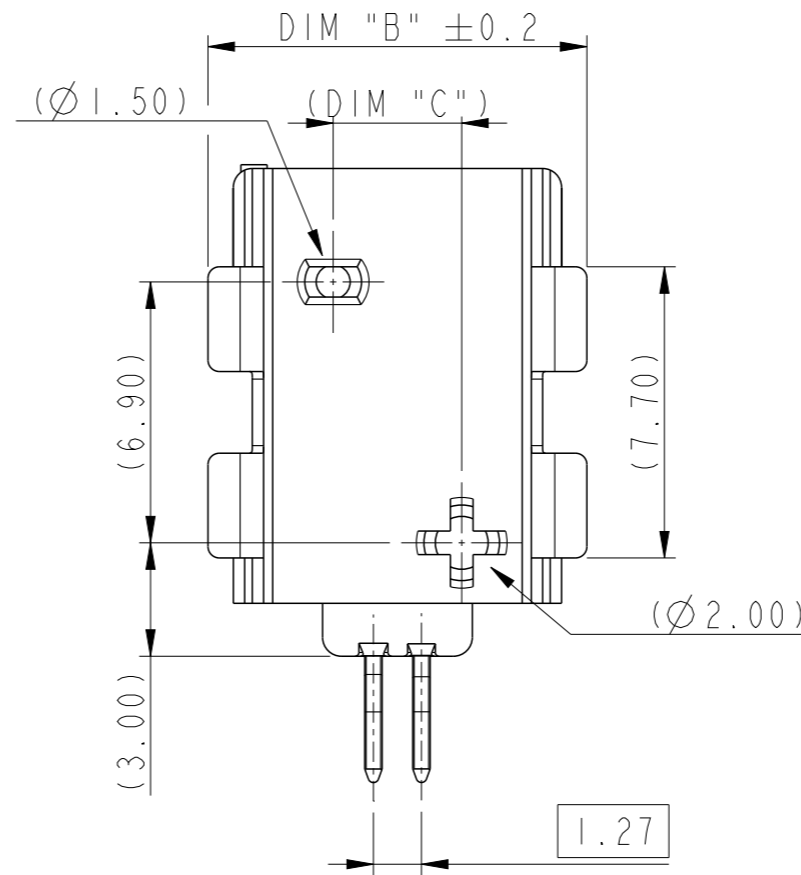
PLATING :
1 = 3µm MIN MATTE TIN (PREPLATED)
2 = 3µm MIN MATTE TIN (POST-PLATED)
ALL OVER 1.27µm MIN NICKEL UNDERLAYER

NOTES:

- 1 - MATERIAL:
HOUSING : HIGH TEMPERATURE THERMOPLASTIC
COLOR BLACK UL94 V-0
PIN : HIGH CURRENT COPPER ALLOY
- 2 - TO BE MATED WITH MINITEK µSPACE RECEPTACLE SERIES 10142395
- 3 - RoHS COMPATIBLE PRODUCT SPECIFICATIONS
 - a - PLATING:
"LF" MEANS THE PRODUCT IS LEAD FREE,
3µm MINIMUM MATTE TIN OVER 1.27µm MINIMUM NICKEL UNDERPLATE.
 - b - MANUFACTURING PROCESS COMPATIBILITY:
THE HOUSING WILL WITHSTAND EXPOSURE TO 260°C PEAK TEMPERATURE FOR 30 SECONDS MAX IN A CONVECTION, INFRA-RED OR VAPOR PHASE OR REFLOW OVEN.
 - c - LABELLING :
MEETS PACKAGING SPECS AS PER GS-14-920
 - d - LEGAL STATEMENT :
SEE GS-47-0004.

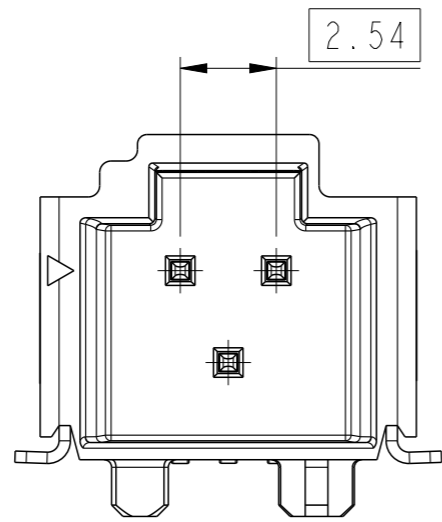


SECTION D-D



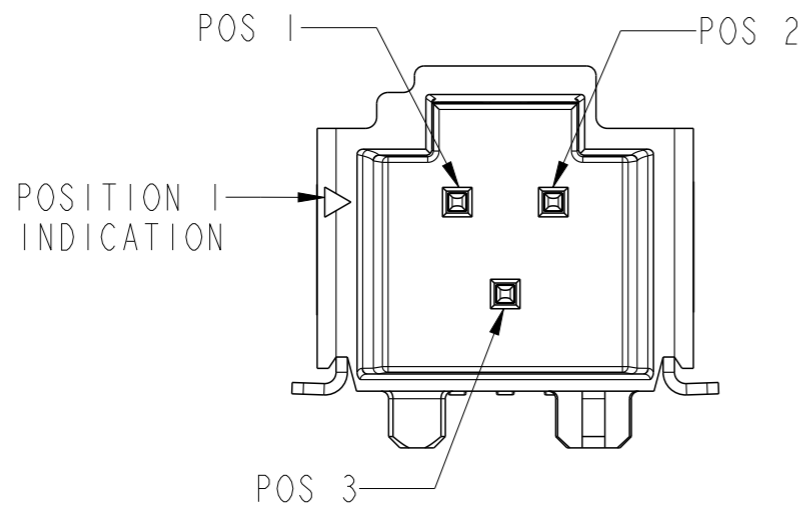
spec ref	GS-12-1422	dr	Sawanth, Ambaa	2018/07/10	projection	mm	size	A3	scale	5:1
tolerance std	ISO 406 ISO 1101	eng	Cyril Jeune	2018/07/25			ecn no	-	rel level	Released
TOLERANCES UNLESS OTHERWISE SPECIFIED		chr	Hyppias, Arnau	2018/07/25						
surface	linear	0.X	±0.3	Amphenol FCI	product family	-	-	-	-	-
		0.XX	±0.10							
		0.XXX	±0.005							
	angular	0°	±2°							
		cat. no. -			Product - Customer Drw		sheet 1 of 2			
		HEADER ASSEMBLY MINITEK µSPACE STAGGERED TOP LATCH			dwg no 10142396		rev A			

PART NO.	NO. OF POSN	DIM "A"	DIM "B"	DIM "C"
10142396-102KLF	02	8.68	10.02	3.40
10142396-103KLF	03	9.95	11.29	4.67

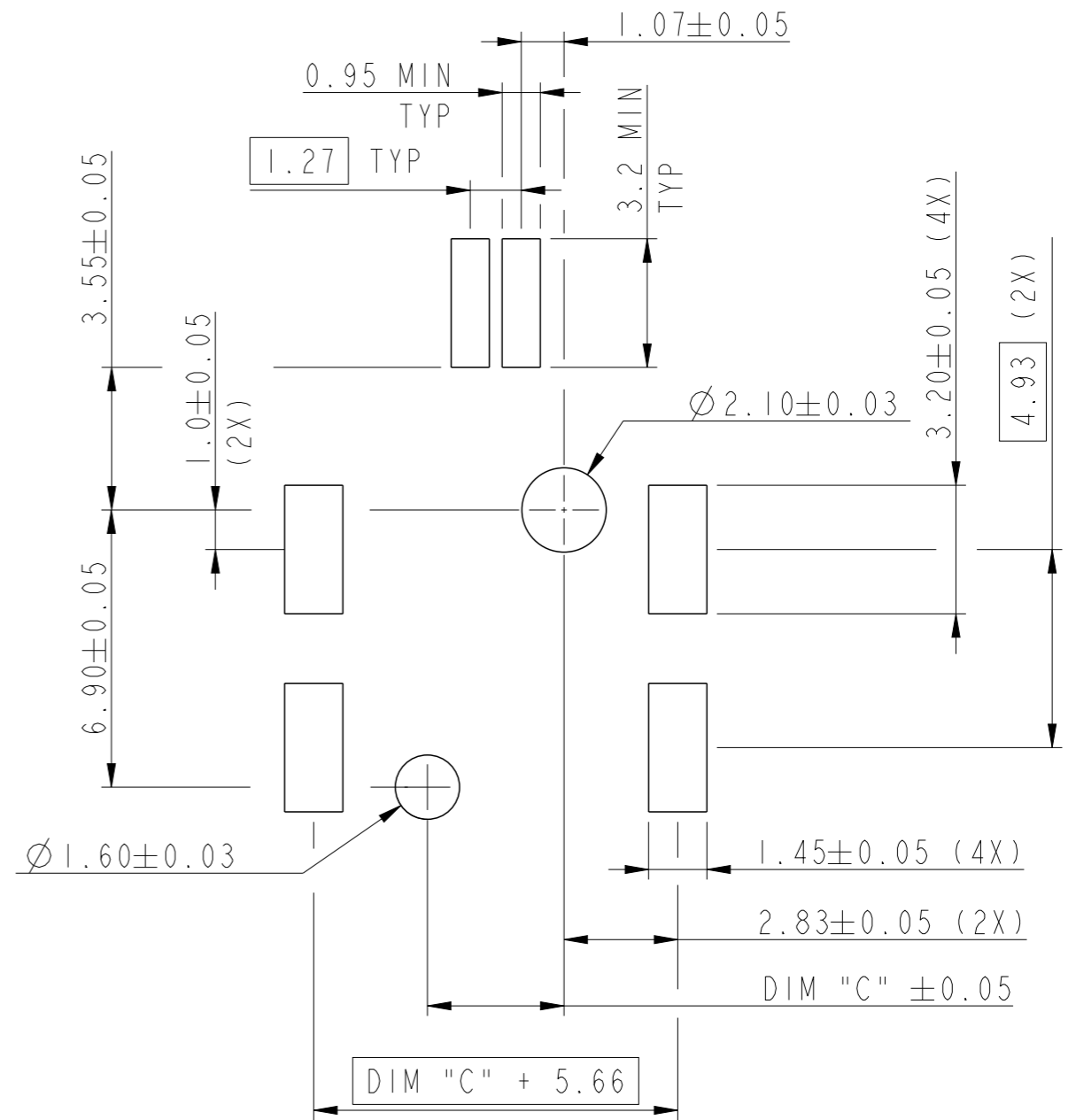


10142396-103KLF

REFER 102KLF FOR ALL OTHER DIMENSIONS



POSITION NUMBER INDICATION FOR 3POS VERSION



RECOMMENDED PCB LAYOUT

SCALE 6:1

spec ref	GS-12-1422	dr	Sawanth, Ambaa	2018/07/10	projection	mm	size	A3	scale	5:1		
tolerance std	ISO 406 ISO 1101	eng	Cyril Jeune	2018/07/25			ecn no	-	rel level	Released		
TOLERANCES UNLESS OTHERWISE SPECIFIED		chr	Hyppias, Arnau	2018/07/25								
surface	linear	0.X	±0.3	appr	Aymeric Soudy	2018/07/25	product family	-	rel level	Released		
		0.XX	±0.10			title	HEADER ASSEMBLY		dwg no	10142396	rev	A
		0.XXX	±0.005				MINITEK μSPACE STAGGERED TOP LATCH					
	angular	0°	±2°	cat. no.	-	Product - Customer Drw		sheet 2 of 2				