

SACC-M 8MS-3QO-0,5-VA - Connector



1426313

<https://www.phoenixcontact.com/us/products/1426313>

Please be informed that the data shown in this PDF document is generated from our online catalog. Please find the complete data in the user documentation. Our general terms of use for downloads are valid.



Connector, 3-position, Plug straight M8, A, Insulation displacement connection, knurl material: Stainless steel 1.4305, external cable diameter 2.5 mm ... 5 mm

Your advantages

- Safe use in the field, thanks to a high degree of protection
- Insulation displacement connection: innovative and time-saving assembly without stripping the single wire

Commercial data

Item number	1426313
Packing unit	1 pc
Minimum order quantity	1 pc
Sales key	BF31
Product key	BF2BCA
GTIN	4055626457635
Weight per piece (including packing)	7.2 g
Weight per piece (excluding packing)	7 g
Customs tariff number	85366990
Country of origin	DE

SACC-M 8MS-3QO-0,5-VA - Connector



1426313

<https://www.phoenixcontact.com/us/products/1426313>

Technical data

Notes

General	NOTE: Observe the permissible bending radii when laying conductors, since the degree of protection may be put in jeopardy if the bending forces are too high. Alleviate mechanical loads upstream of the connector, e.g. by using cable ties.
---------	--

Mounting

Connection method	Insulation displacement connection
-------------------	------------------------------------

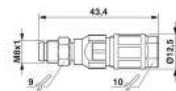
Product properties

Product type	Circular connector (cable-side)
Number of positions	3
No. of cable outlets	1
Shielded	no
Coding	A
Cable outlet	straight

Insulation characteristics

Overvoltage category	II
Degree of pollution	3

Dimensions

Dimensional drawing	
Length	43.4 mm

External dimensions

Outside diameter	2.5 mm ... 5 mm ±0.2 mm
------------------	-------------------------

Housing

Diameter housing	12.5 mm
------------------	---------

Material specifications

Flammability rating according to UL 94	HB
Seal material	NBR
Material of grip body	PA 6
Contact material	CuSn
Contact surface material	Ni/Au
Contact carrier material	TPU GF
Material for screw connection	Stainless steel 1.4305
Wire insulation material	PVC / PE / PP / rubber

SACC-M 8MS-3QO-0,5-VA - Connector



1426313

<https://www.phoenixcontact.com/us/products/1426313>

Connection data

Conductor connection

Connection method	Insulation displacement connection
Connection cross section	0.25 mm ² ... 0.5 mm ²
Connection cross section AWG	24 ... 20
Tightening torque	0.6 Nm (Pressure nut) 0.2 Nm (M8 knurl)

Electrical properties

Rated surge voltage	0.8 kV
Contact resistance	≤ 5 mΩ
Insulation resistance	≥ 100 MΩ
Nominal voltage U _N	60 V AC 60 V DC
Nominal current I _N	4 A

Mechanical properties

Mechanical data

Insertion/withdrawal cycles	≥ 100
-----------------------------	-------

Connector

Connection 1

Head design	Plug
Head cable outlet	straight
Head thread type	M8
Coding	A

Cable/line

External cable diameter ()	2.5 mm ... 5 mm
-----------------------------	-----------------

Environmental and real-life conditions

Ambient conditions

Degree of protection	IP65 IP67 IP69K
Ambient temperature (operation)	-25 °C ... 80 °C (Plug / socket)

Standards and regulations

M8

Standard designation	M8 connector
Standards/specifications	IEC 61076-2-104

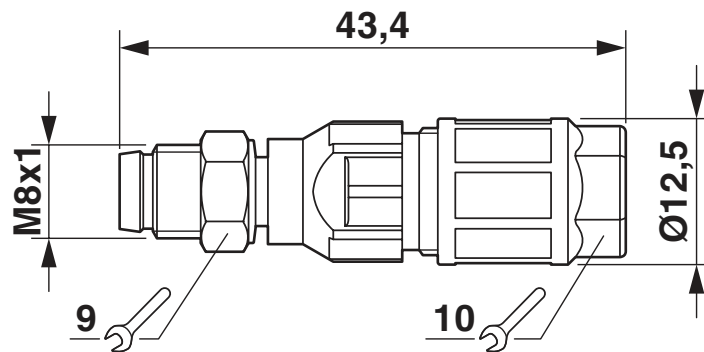
SACC-M 8MS-3QO-0,5-VA - Connector

1426313

<https://www.phoenixcontact.com/us/products/1426313>

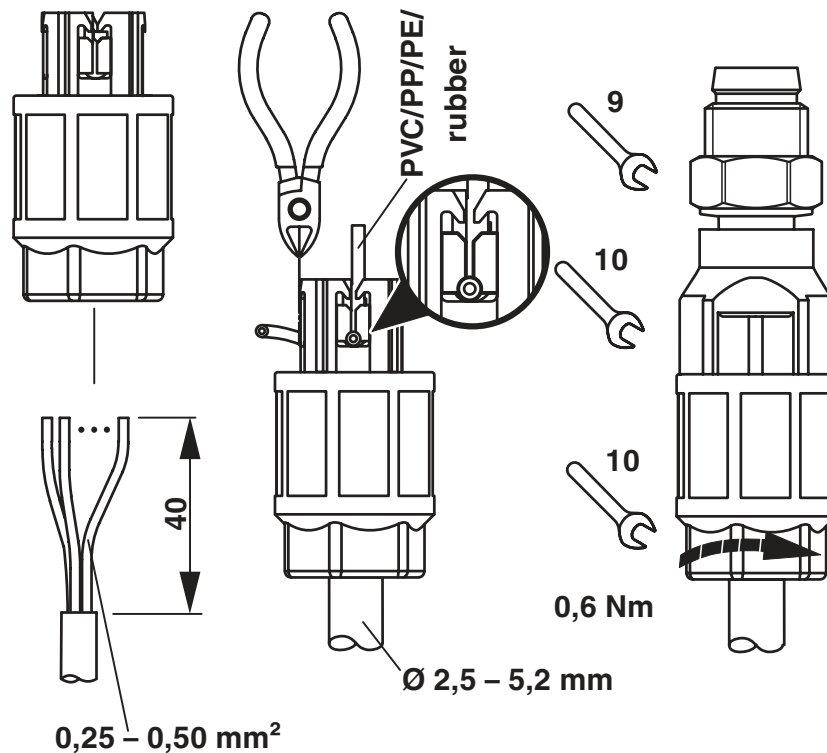
Drawings

Dimensional drawing



M8 x 1 male plug, straight version

Functional drawing



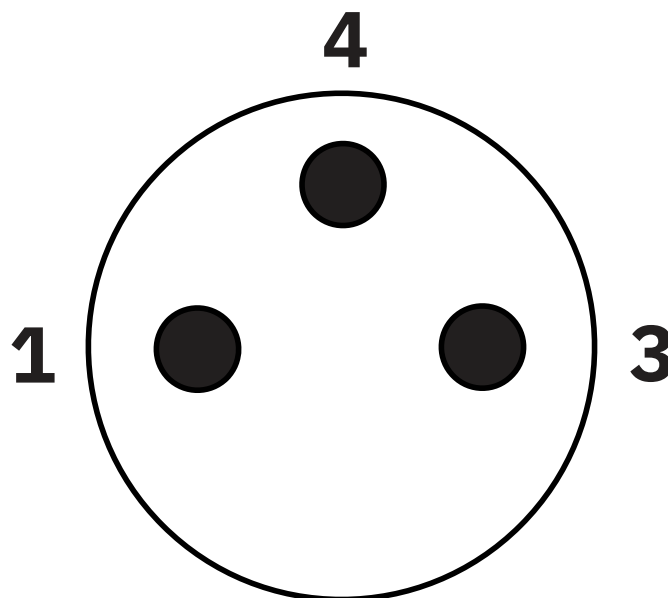
SACC-M 8MS-3QO-0,5-VA - Connector

1426313

<https://www.phoenixcontact.com/us/products/1426313>



Schematic diagram



Pin assignment M8 plug, 3-pos., view male side

SACC-M 8MS-3QO-0,5-VA - Connector



1426313

<https://www.phoenixcontact.com/us/products/1426313>

Approvals

To download certificates, visit the product detail page: <https://www.phoenixcontact.com/us/products/1426313>



EAC

Approval ID: RU C-DE.BL08.B.00511

SACC-M 8MS-3QO-0,5-VA - Connector



1426313

<https://www.phoenixcontact.com/us/products/1426313>

Classifications

ECLASS

ECLASS-11.0	27440102
ECLASS-12.0	27440116
ECLASS-13.0	27440116

ETIM

ETIM 8.0	EC002635
----------	----------

UNSPSC

UNSPSC 21.0	39121400
-------------	----------

SACC-M 8MS-3QO-0,5-VA - Connector



1426313

<https://www.phoenixcontact.com/us/products/1426313>

Environmental product compliance

China RoHS	Environmentally friendly use period: unlimited = EFUP-e
	No hazardous substances above threshold values

SACC-M 8MS-3QO-0,5-VA - Connector



1426313

<https://www.phoenixcontact.com/us/products/1426313>

Accessories

PROT-M 8 FS-PA-CHAIN - Sealing cap

1430857

<https://www.phoenixcontact.com/us/products/1430857>

M8 sealing cap made of plastic with fixing band for sensor cables, for M8 plugs



MICROFOX-SB - Diagonal cutter

1212489

<https://www.phoenixcontact.com/us/products/1212489>

Electronic diagonal cutter, round head, without chamfer, with opening spring, mirror-polished and oiled, 2-component grip, cutting capacity: soft 0.2 - 2.0 mm; medium hard 1.2 mm; hard 0.5 mm diameter



SACC-M 8MS-3QO-0,5-VA - Connector



1426313

<https://www.phoenixcontact.com/us/products/1426313>

WIREFOX SAC - Stripping tool

1212623

<https://www.phoenixcontact.com/us/products/1212623>



Stripping pliers, for halogen-free sensor/actuator cables (SAC cables), with PUR and PVC insulation, from Ø of 4.4 to 7 mm, any stripping length

Phoenix Contact 2023 © - all rights reserved

<https://www.phoenixcontact.com>

Phoenix Contact USA
586 Fulling Mill Road
Middletown, PA 17057, United States
(+717) 944-1300
info@phoenixcon.com