

MAKER DRIVE - MIX1508 H-Bridge Motor Driver

SKU 105090003

MIX1508 H-Bridge Motor Driver is DC motor driver assembled by MIX1508 chip for Robotic car.

Are you interested in the robot motor? Do you want to start a motor driver? Here is your chance! MIX1508 H-Bridge Motor Driver is a powerful motor driver for beginners because of its easy-testing model and simplicity of operation. This motor driver has a Mix1508 chip for CPU, which is different from other MOSFET driver. So it has a smaller size.

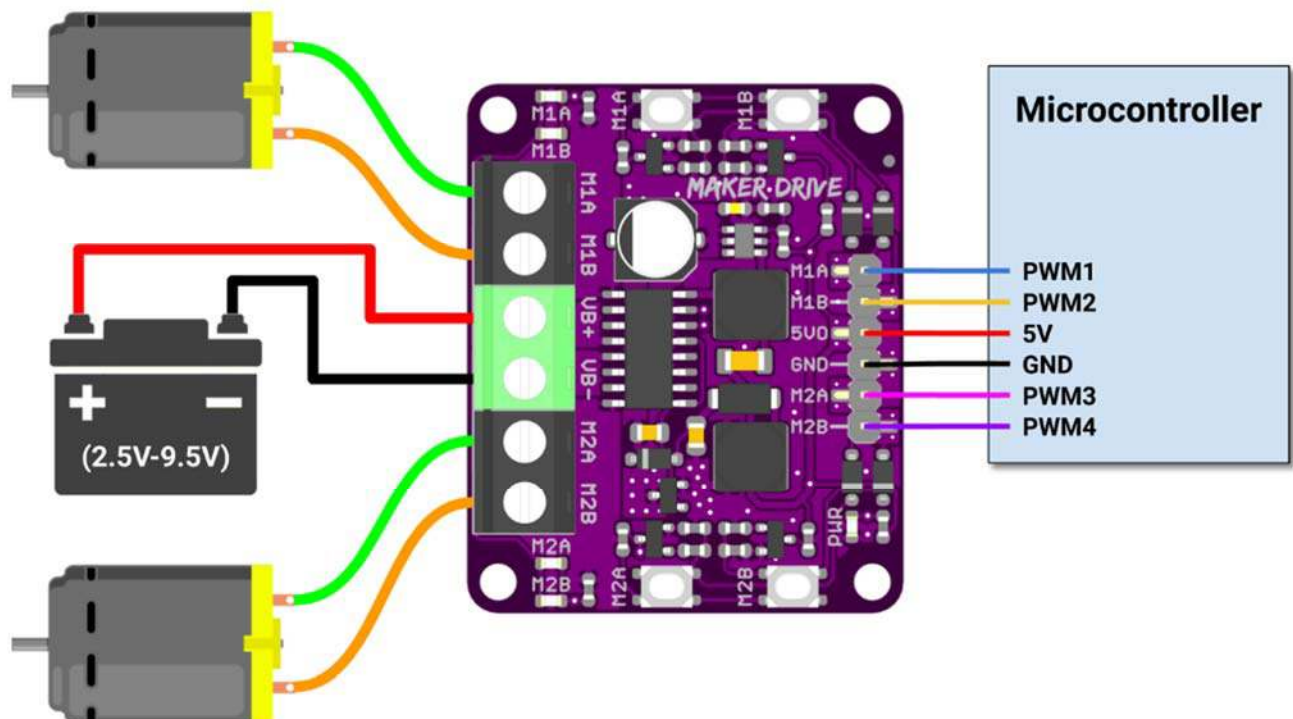
There are two groups of test buttons(each group contains two buttons) to correspond with two separated channels. With these test buttons, you don't have to connect with the controller to test the driver, which is very convenient. The module also provides 4V~5V output to support the controller.

MIX1508 H-Bridge Motor Driver can be powered by two AA or AAA batteries or a single Li-Po battery. (3~3.7V).What 's more? It can be compatible with many controllers, such as Arduino and raspberry pi. Let's get started with the robot motor experience!

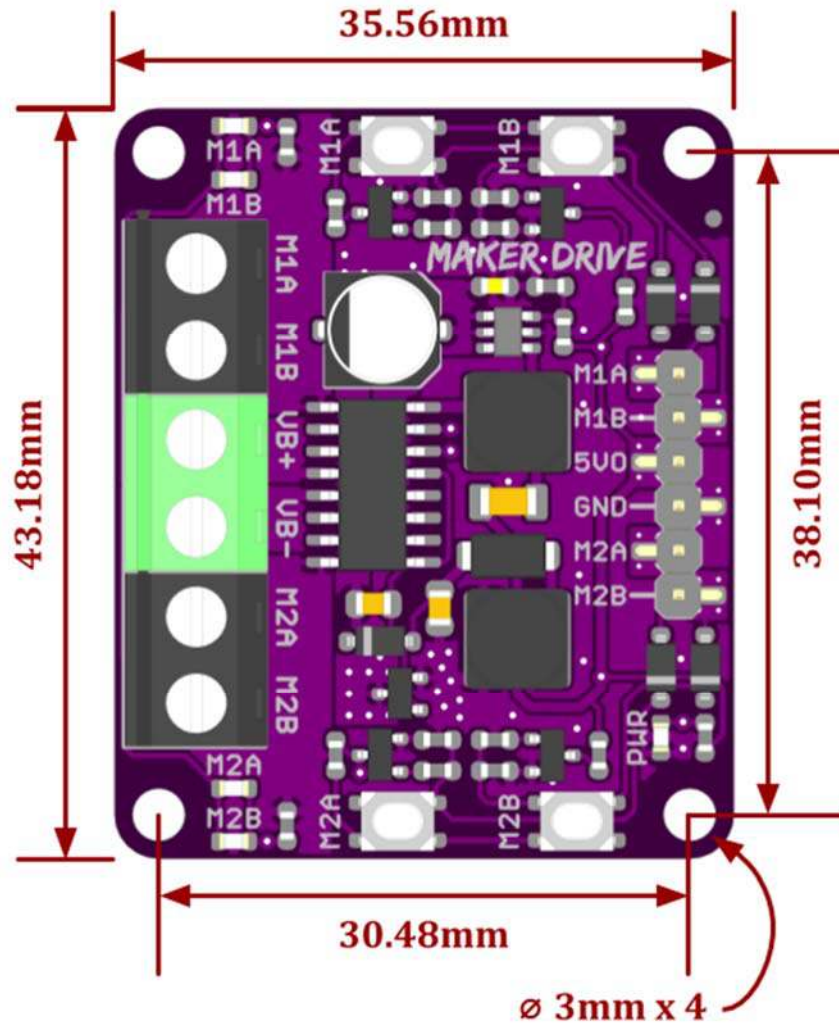
Features

- Dual channel, Bi-directional control motor driver
- Support motor voltage from 2.5V to 9.5VDC
- Maximum current up to 1.0A continuous and 1.5A peak (<5 seconds)
- 5V Output (200mA) to power the controller.
- Inputs compatible with 1.8V, 3.3V and 5V logic (Arduino, Raspberry Pi, etc).
- Solid state components provide faster response time and eliminate the wear and tear of mechanical relay
- Regenerative Braking
- Speed control PWM frequency up to 20KHz (Actual output frequency is same as input frequency)
- Dimension: 43mm(W) x 35mm (L) x 14mm (H)

Interface



Dimension



ECCN/HTS

HSCODE	8503001000
UPC	