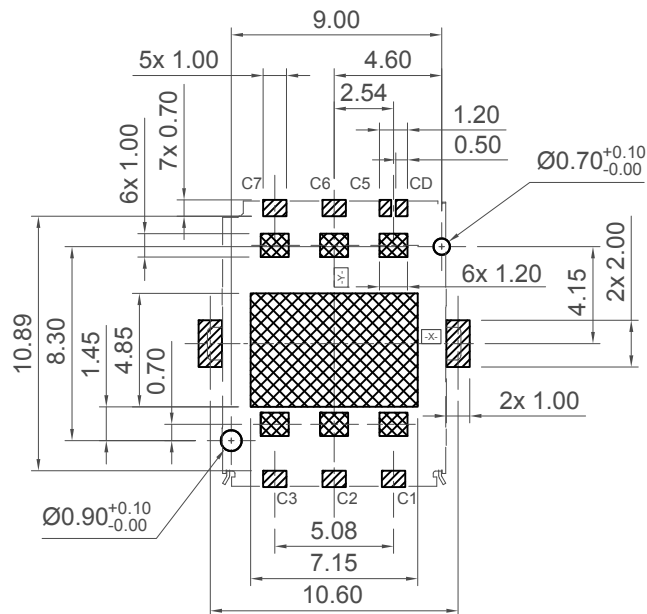
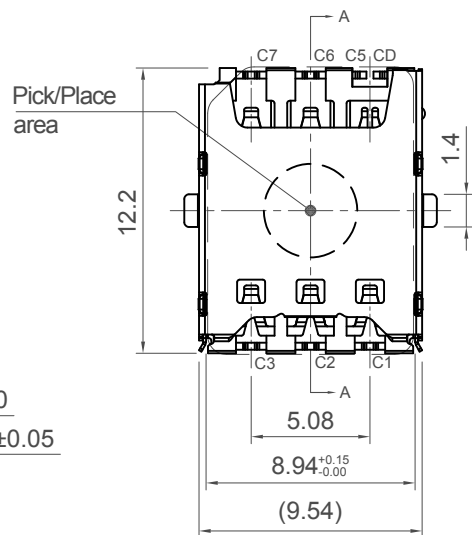
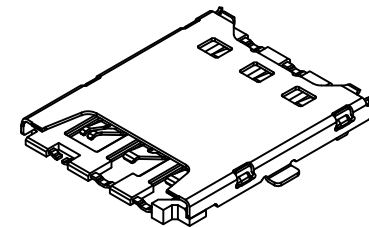


Section A-A



Recommended PCB Layout  
As viewed from component side. General Tolerance ±0.05  
Locating peg holes only applicable to locating peg version

Solder Area  
 Keep Out Area  
 Component Outline



Specification:

Material:

Plastic Housing: LCP 30%GF, UL94V-0, Black  
Contact Terminal: Phosphor Bronze, T= 0.12mm  
Cover: SUS301-H, T= 0.15mm

Plating:

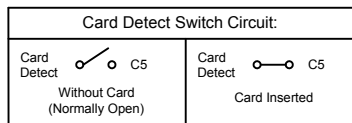
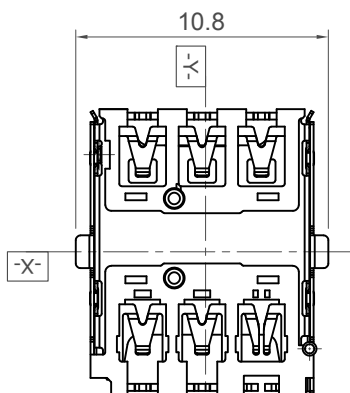
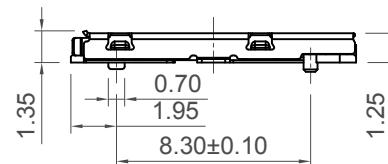
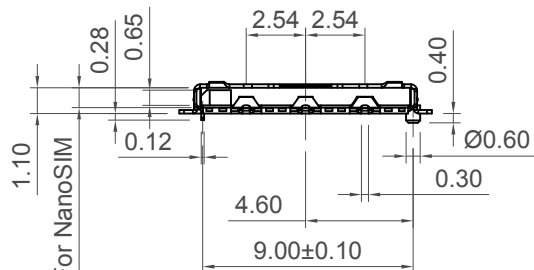
Contact Terminal:  
Contact Area: 3μ" Gold  
Solder area: Gold Flash  
Underplating: Ni overall 50μ" min.  
Cover: Ni overall 50μ" min.

Mechanical:

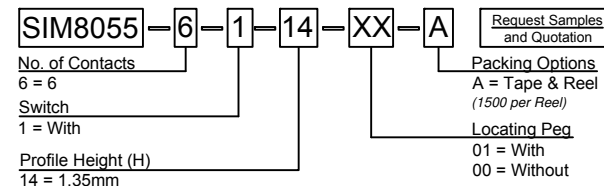
Duration: 5000 cycles

Electrical:

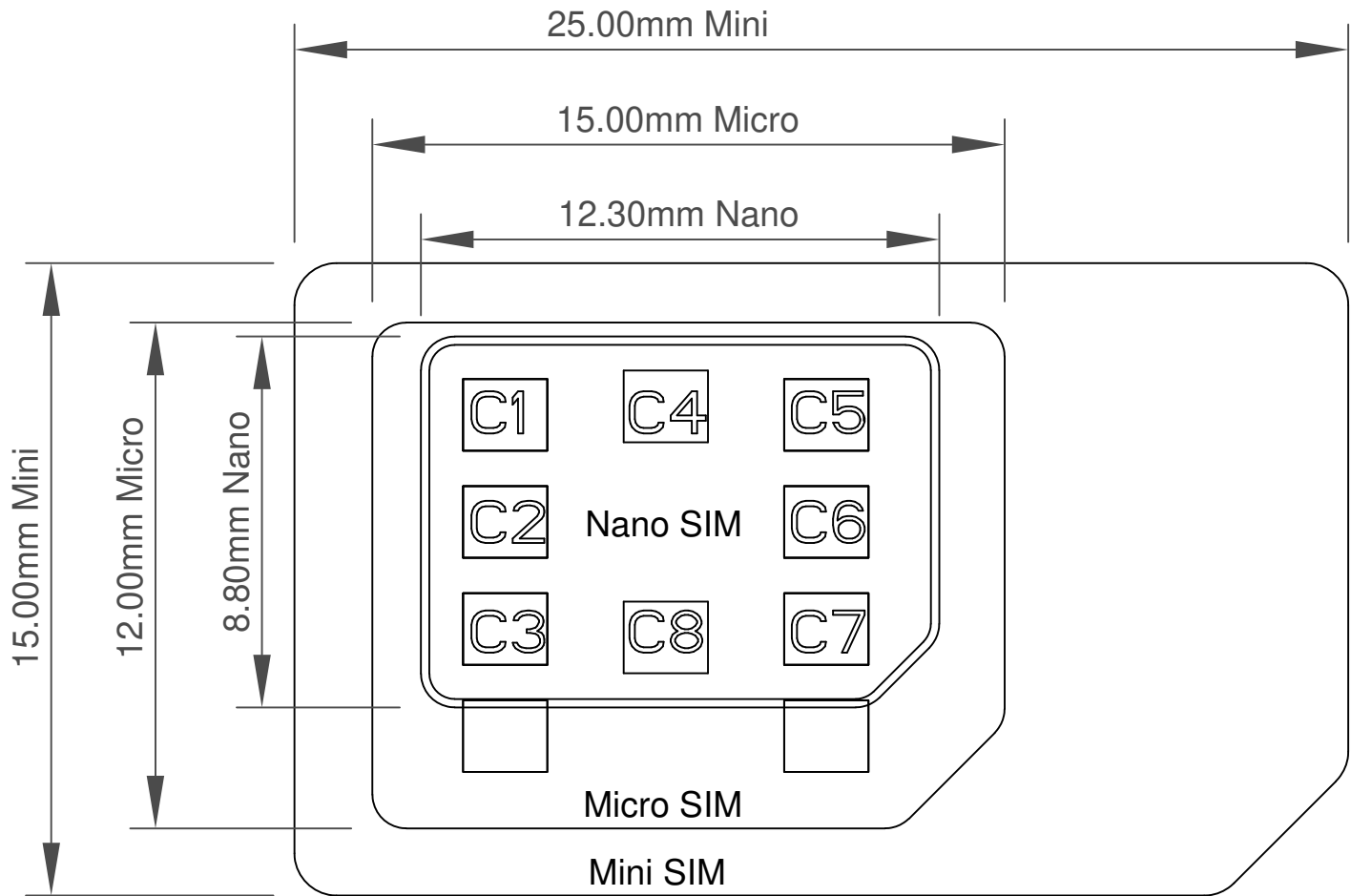
Voltage Rating: 30V max.  
Current Rating: 0.5A max.  
Operating Temperature: -40°C to +85°C  
Dielectric Withstanding Voltage: 100V AC (60 Sec min.)  
Insulation Resistance: 1000 MΩ min.  
Contact Resistance: 100 mΩ max.



Ordering Grid



|                    |                 |  |             |                |  |
|--------------------|-----------------|--|-------------|----------------|--|
| Part Number        |                 | Product Description                                  |             | <br>www.gct.co |  |
| SIM8055            |                 | Nano SIM Card Connector, Push-Pull Type, with Switch |             |                |  |
| Drawing Date       |                 | 6 Pin, SMT, Profile 1.35mm                           |             |                |  |
| 27th November 2017 |                 |  |             |                |  |
| By                 | CC              | Tolerances (Except as Noted)                         | Units:      |                | This drawing is confidential and copyright of Global Connector Technology, Ltd (GCT). This drawing must not be copied or disclosed without written consent. E & OE |
| Detail             | Drawing Release | Length   | Metric (mm) |                |  |
| Revision           | A5              | X. ± 0.35  | All ± 2°    |                |  |
| Date               | 22/01/21        | X.X ± 0.25   |             |                |  |
|                    |                 | X.XX ± 0.15  |             |                | Not to Scale   |
|                    |                 | X.XXX ± 0.10   |             |                | Drawn By CC  |

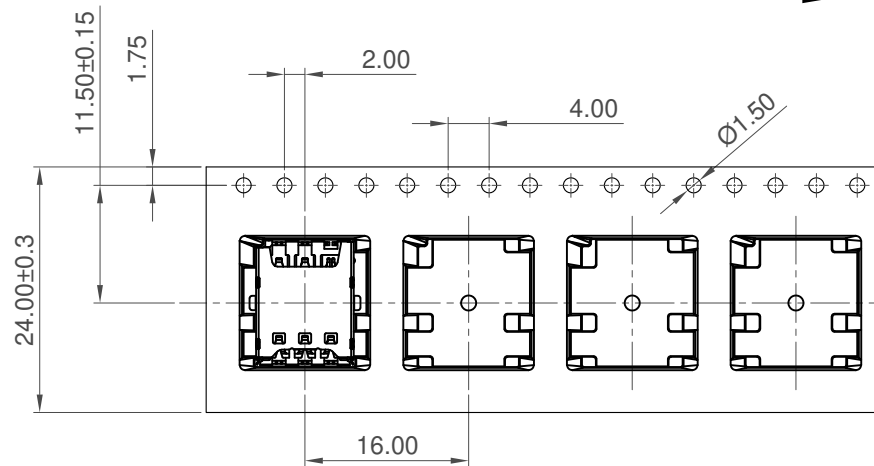
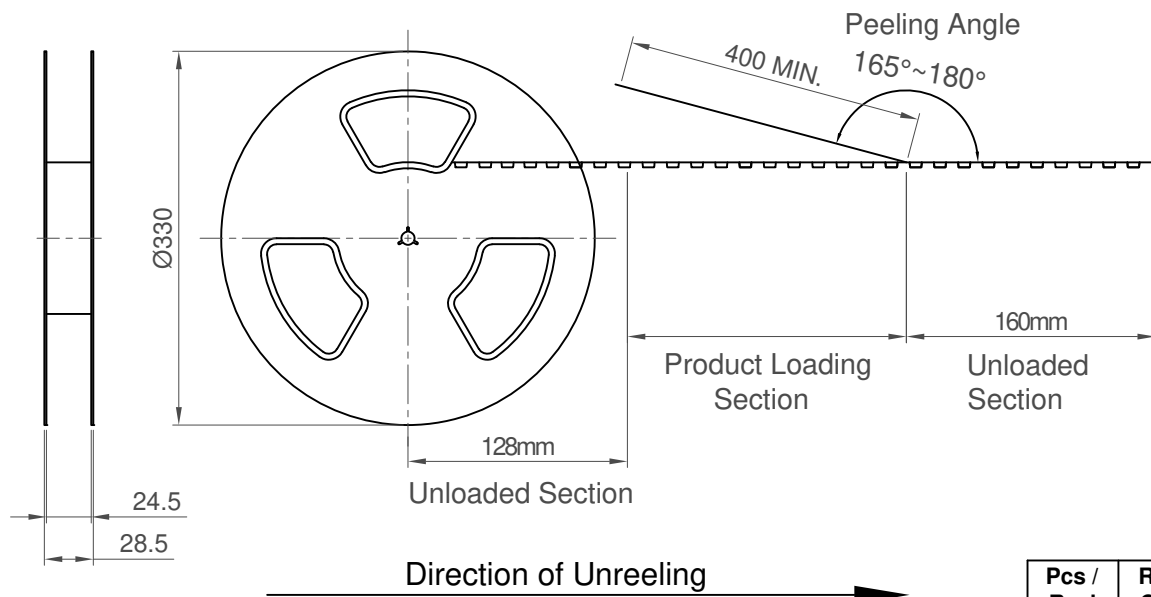


- C1----->VCC
- C2----->RST
- C3----->CLK
- C5----->GND
- C6----->Vpp
- C7----->I/O

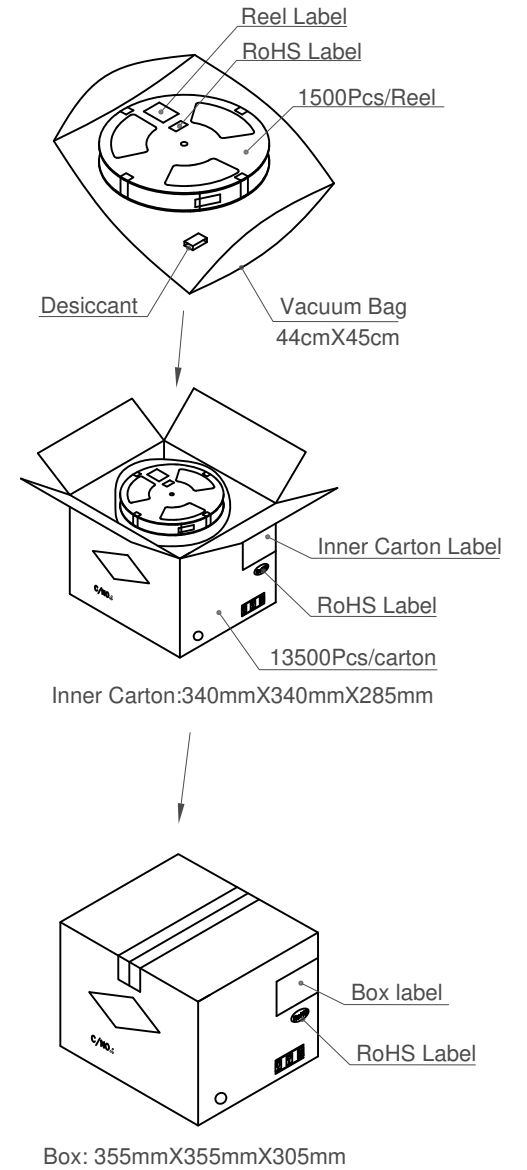
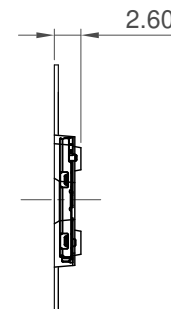
# Reference

|                    |                 |  |                               |
|--------------------|-----------------|--|-------------------------------|
| Part Number        |                 | Product Description  |                               |
| SIM8055            |                 | Nano SIM Card Connector, Push-Pull Type, with Switch   |                               |
| Drawing Date       |                 | 6 Pin, SMT, Profile 1.35mm   |                               |
| 27th November 2017 |                 |  |                               |
| By                 | CC              | Tolerances (Except as Noted)   | Units:                        |
| Detail             | Drawing Release | Length   | Metric (mm)                   |
| Revision           | A5              | X. ± 0.35  | <br>3rd Angle Projection      |
| Date               | 22/01/21        | X.X ± 0.25   |                               |
|                    |                 | X.XX ± 0.15  |                               |
|                    |                 | X.XXX ± 0.10   |                               |
|                    |                 | All ± 2°   | <br>RoHS COMPLIANT 2011/65/UE |
|                    |                 | This drawing is confidential and copyright of Global Connector Technology, Ltd (GCT). This drawing must not be copied or disclosed without written consent. E & OE |                               |
| Not to Scale       | Drawn By        | CC   | Sheet No.                     |
|                    |                 |  | 2/3                           |





| Pcs / Reel | Reels / Carton | Total Quality |
|------------|----------------|---------------|
| 1500       | 9              | 13500         |



Notes:  
Peeling off force of top tape: 0.1-1.3N (Peeling direction as shown)

Materials:  
Carrier Tape: Polystyrene (PS)  
Top Tape: PE  
Reel Tape: Polystyrene (PS)  
Bag: PE

|                    |                 |  |             |
|--------------------|-----------------|--|-------------|
| Part Number        |                 | Product Description                                  |             |
| SIM8055            |                 | Nano SIM Card Connector, Push-Pull Type, with Switch |             |
| Drawing Date       |                 | 6 Pin, SMT, Profile 1.35mm                           |             |
| 27th November 2017 |                 |  |             |
| By                 | CC              | Tolerances (Except as Noted)                         | Units:      |
| Detail             | Drawing Release | Length   | Metric (mm) |
| Revision           | A5              | Angle  |             |
| Date               | 22/01/21        |  |             |



This drawing is confidential and copyright of Global Connector Technology, Ltd (GCT). This drawing must not be copied or disclosed without written consent. E & OE



|              |             |               |
|--------------|-------------|---------------|
| Not to Scale | Drawn By CC | Sheet No. 3/3 |
|--------------|-------------|---------------|