

## Friction ring

REIB-RING SGM 50 PU-55

Part no.:10.01.17.00138

<https://www.schmalz.com/10.01.17.00138>

Home > Vacuum Technology for Automation > Vacuum Components > Special Grippers > Magnetic Grippers > REIB-RING SGM 50 PU-55

### Friction ring



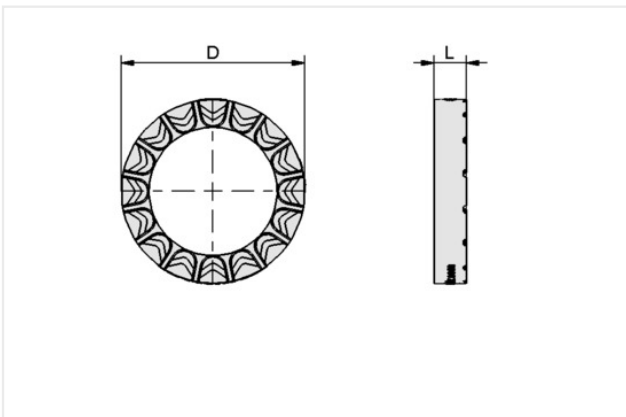
Construction use: Magnetic gripper

Size: 50

External diameter D: 50 mm

Internal diameter d: 35 mm

### Design Data



Attribute	Value
D	50 mm
L	8.80 mm

### Technical Data

Attribute	Value
Size	50
Suction cup material	Polyurethane PU
Operating temperature (max.)	100 °C
Material hardness [Shore A]	55 Shore A
Weight	6.70 g

Material HT2: Operating temperature max. short-term up to +250 °C

### Contact Schmalz

Schmalz Inc. | 5850 Oak Forest Drive, Raleigh, NC 27616, United States | +1 (919) 713-0880 | [schmalz.us@schmalz.com](mailto:schmalz.us@schmalz.com)