

# 621M/622M SERIES



## D-Sub Connectors: Right Angle, 0.283" (7.20mm) Footprint

### Features:

- Two contact rows with 0.283" (7.20mm) footprint, right angle bend D-Sub with machined contacts
- 0.109" (2.77mm) contact spacing x 0.112" (2.84mm) row spacing
- Plug and receptacle in 9, 15, 25, 37 or 50 contact sizes
- Pin and socket contact mating design with P.C. tail termination
- Metal shell provides EMI/RFI shielding, plug shell indents provide grounding and additional mating retention
- Grounding features include brackets with four prong boardlock for exceptional retention to P.C. board
- Mounting options for panel mount or connector mating include through hole, threaded inserts and threaded standoffs
- Insulation housings are offered in different colors: black, white, green and blue
- D-shaped connector mating outline provides polarization



### Specifications:

Insulator Material	PA6T, UL 94V-0, Color: Black, White, Blue or Green
Contact Material	Precision Machined Copper Alloy
Contact Plating	Gold Plating over Nickel All Over
Shell Material	Nickel Plated Steel (Optional Tin Plating)
Current Rating	5 amps
Contact Resistance	10 Milliohms maximum
Dielectric Withstanding Voltage	5000 megaohms minimum
Insulation Resistance	1000 V AC rms at Sea Level
Operating Temperature	-55°C To +125°C

### Ordering Code:

## 621-M25-260-BN3

**SERIES:** \_\_\_\_\_  
 621: PLUG (PIN)  
 622: RECEPTACLE (SOCKET)

**M:** MACHINED CONTACTS \_\_\_\_\_

**NO. OF CONTACTS:** \_\_\_\_\_  
 09 - 9 CONTACTS    25 - 25 CONTACTS  
 15 - 15 CONTACTS    37 - 37 CONTACTS  
 50 - 50 CONTACTS

**CONTACT FINISH CODE:** \_\_\_\_\_  
 2 - GOLD FLASH PLATING  
 3 - 15 MICROINCHES OF GOLD PLATING  
 6 - 30 MICROINCHES OF GOLD PLATING

**CONTACT CODE:** \_\_\_\_\_  
 60 - .283" (7.20MM) FOOTPRINT RIGHT ANGLE PC TAIL

**MOUNTING & GROUNDING OPTIONS:**  
 1 - Ø.120" (Ø3.05) THROUGH HOLE  
 2 - 4-40 UNC INSERT  
 3 - 4-40 UNC INSERT + STABILIZER PCB + BOARDLOCKS  
 4 - 4-40 UNC INSERT + STABILIZER PCB + Ø.126" (Ø3.20) HOLE  
 5 - 4-40 UNC STANDOFF + STABILIZER PCB + BOARDLOCKS  
 6 - 4-40 UNC STANDOFF + STABILIZER PCB + Ø.126" (Ø3.20) HOLE

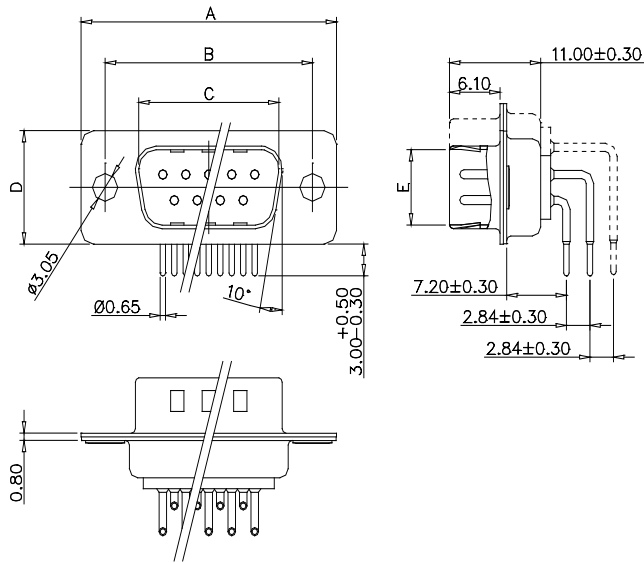
**SHELL PLATING CODE:**  
 N - NICKEL  
 T - TIN

**HOUSING MATERIAL CODE:**  
 B - BLACK  
 W - WHITE  
 G - GREEN  
 L - BLUE

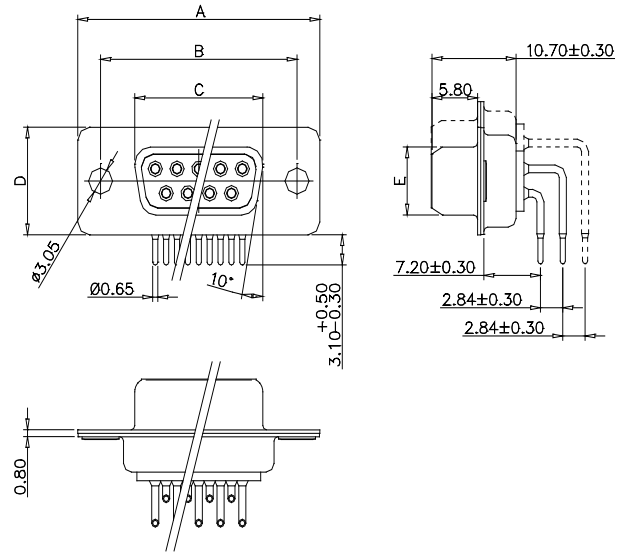
# 621M/622M SERIES



## D-Sub Connectors: Right Angle, 0.283" (7.20mm) Footprint



**PLUG**



**RECEPTACLE**

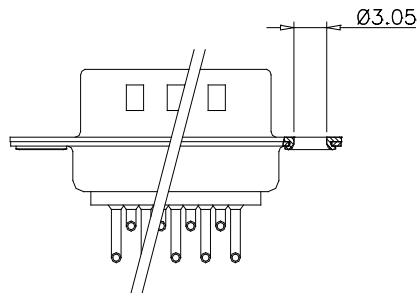
No. of Pos.	A	B	C	D	E
09	30.80	25.00	16.90	12.50	8.30
15	39.20	33.30	25.25	12.50	8.30
25	53.05	47.05	38.95	12.50	8.30
37	69.40	63.50	55.40	12.50	8.30
50	67.00	61.00	52.80	15.30	11.15

No. of Pos.	A	B	C	D	E
09	30.80	25.00	16.30	12.50	7.90
15	39.20	33.30	24.60	12.50	7.90
25	53.05	47.05	38.40	12.50	7.90
37	69.40	63.50	54.80	12.50	7.90
50	67.00	61.00	52.20	15.30	10.90

### MOUNTING & GROUNDING OPTIONS:

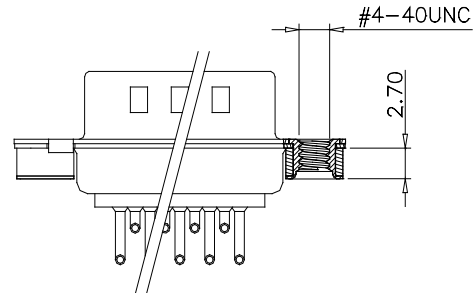
#### CODE - 1

Ø3.05 THROUGH HOLE



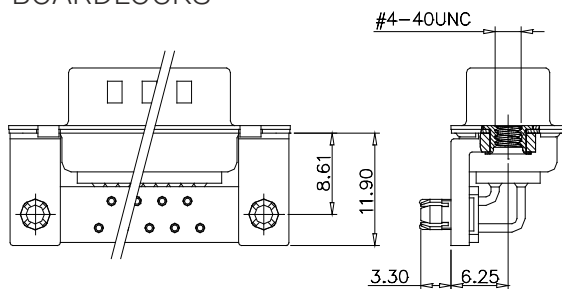
#### CODE - 2

#4-40 UNC INSERT



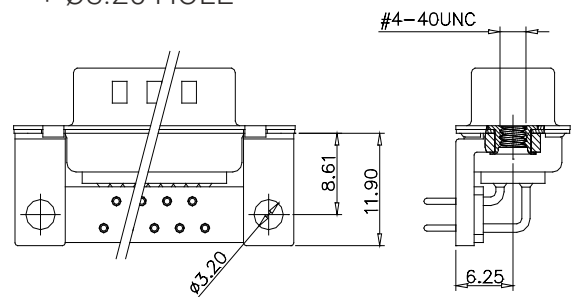
#### CODE - 3

#4-40 UNC INSERT + STABILIZER PCB + BOARDLOCKS



#### CODE - 4

#4-40 UNC INSERT + STABILIZER PCB + Ø3.20 HOLE

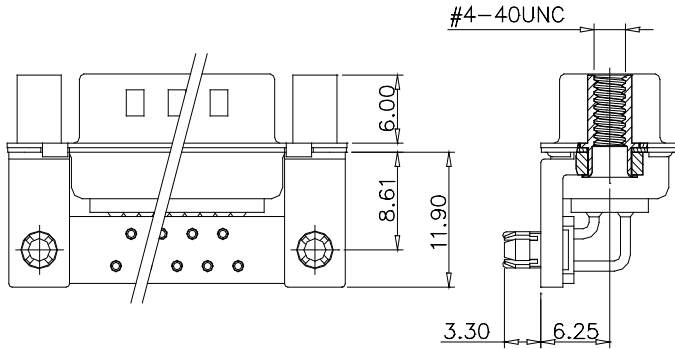


## D-Sub Connectors: Right Angle, 0.283" (7.20mm) Footprint

### MOUNTING & GROUNDING OPTIONS:

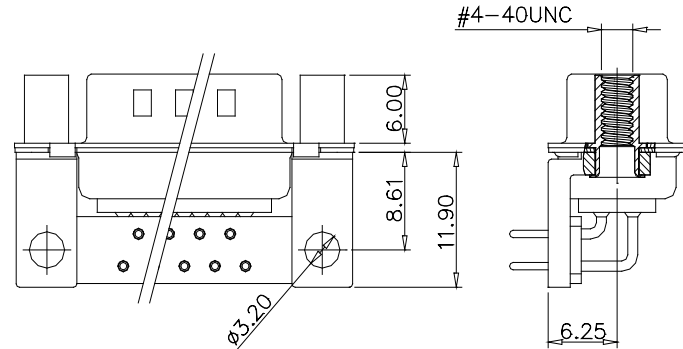
#### CODE - 5

#4-40 UNC STANDOFF + STABILIZER  
PCB + BOARDLOCKS



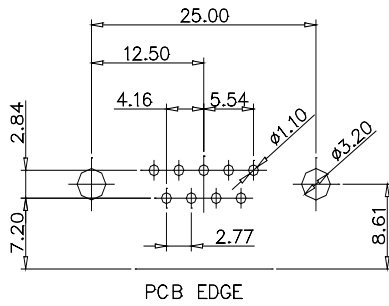
#### CODE - 6

#4-40 UNC STANDOFF + STABILIZER  
PCB + Ø3.20 HOLE

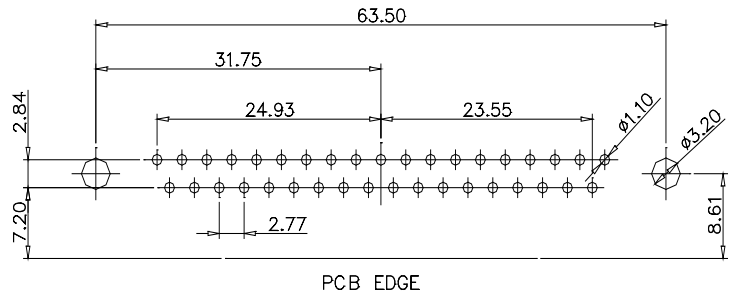


### RECOMMENDED PCB LAYOUT

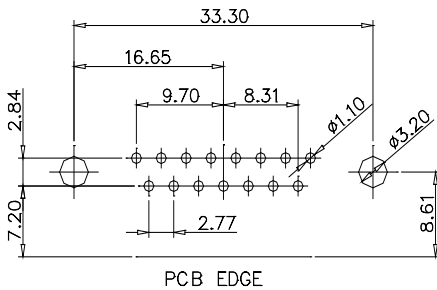
#### 9 POS



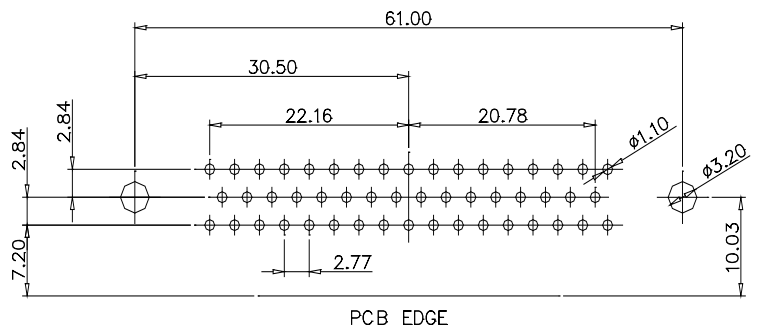
#### 37 POS



#### 15 POS



#### 50 POS



#### 25 POS

