



- Din Rail or Surface Mounting
- 600 Volt UL Rating
- Wye Configuration
- Three Phase (3Ø) Applications
- Bleeding Resistor Option
- Terminal Block or Leads



E71902
STANDARD 508

Operation

Transient Voltage Filters

TVFs are applied to circuits where transient electrical voltage spikes can cause a malfunction or damage in solid state controls or control systems (PLCs, CNCs, NCs, Solid State Counters, etc.). The TFY is typically applied in parallel with three phase inductive loads (motors) to absorb the transients generated when the load is disconnected from the line. It also absorbs electrical noise while the load is operating. The Bleeding Resistor allows the voltage that builds up on the capacitor in the TFY to bleed off after voltage is removed. The Bleeding Resistor is typically used in applications where the control with the TFY may be operated (tested) without the load (motor) connected.

Specifications

Electrical

Input Voltage: up to 600VAC, 3Ø Max.
Frequency: 50/60 Hz
 50 Hz TUV Type Approval
Resistor: 7 watts
Bleeding Resistor: 1 megohms, 1/2 watt
Power Consumption: 37 watts@ 600VAC

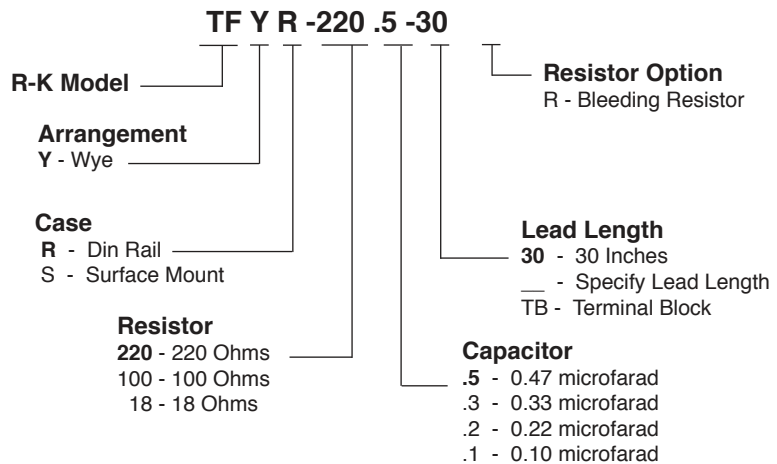
Physical

Mounting: Din Rail or Surface
Termination: Terminal Block or #16 Stranded Wire Leads
Packaging: Dust Cover
Weight: 12 Oz.

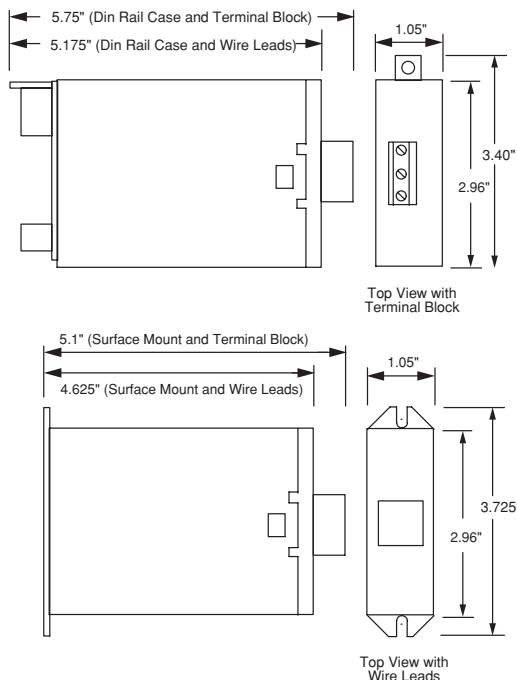
Ambient Temperatures

Operating: -40°C to 85°C
Storage: -40°C to 85°C

Ordering Information



Dimensions



Connections

