

Customer Information Sheet

DRAWING No.: S1731-XXR

SHEET 2 OF 2

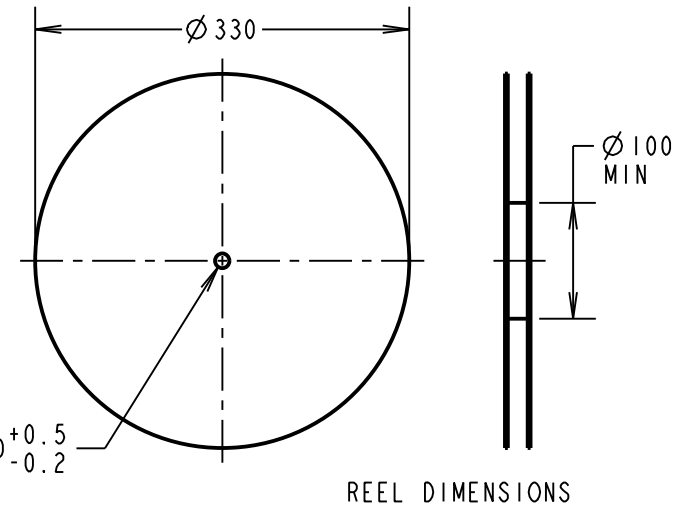
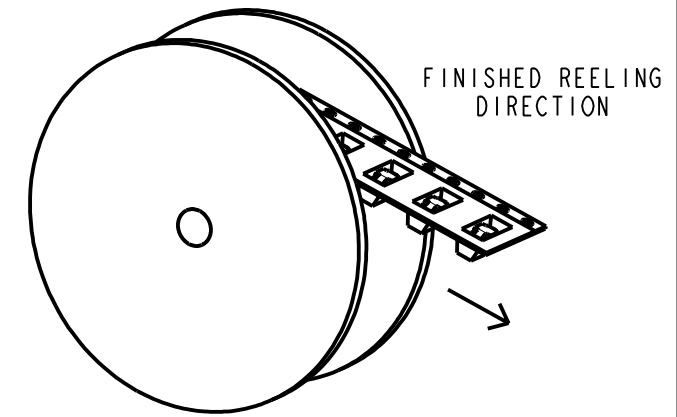
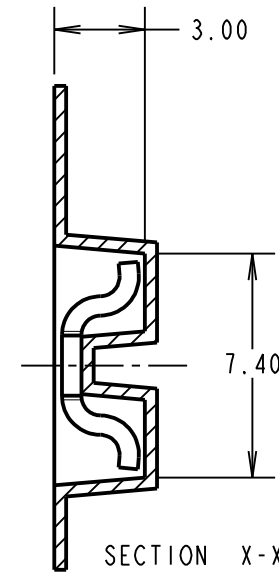
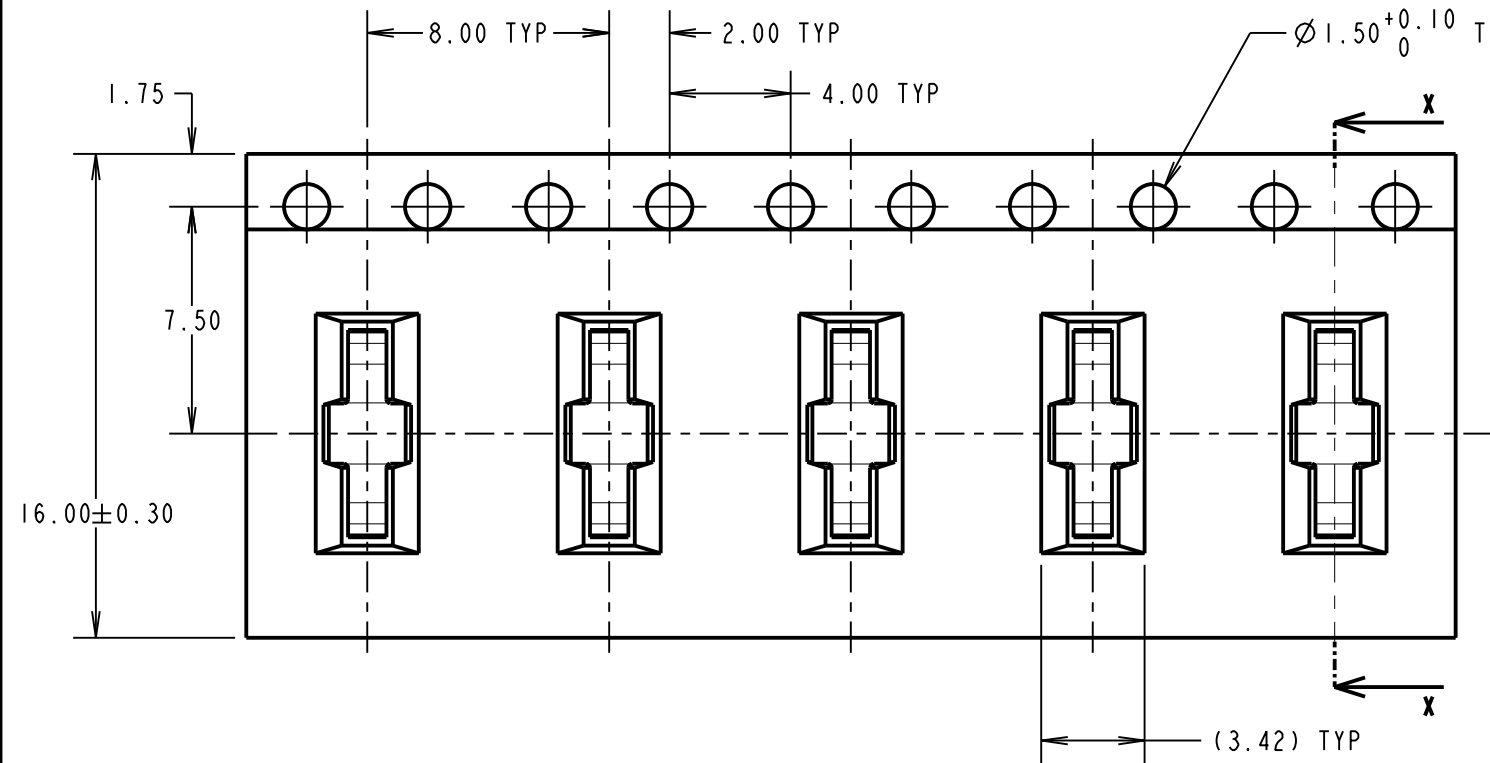
IF IN DOUBT - ASK

©

NOT TO SCALE

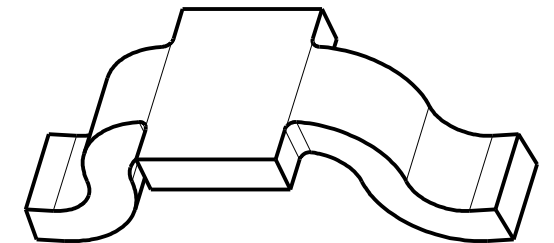
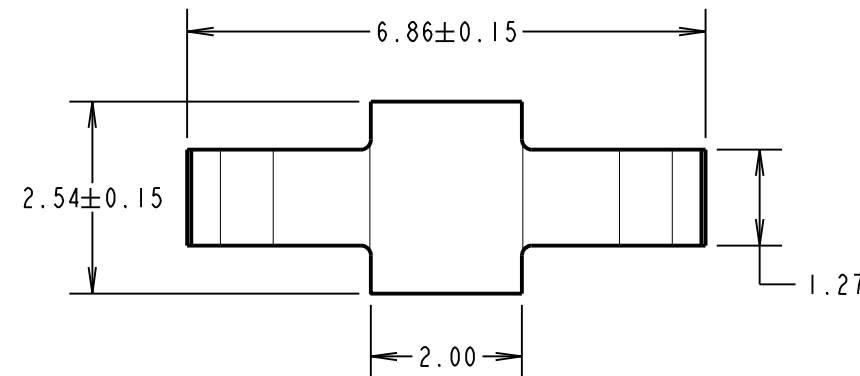
THIRD ANGLE PROJECTION

ALL DIMENSIONS IN mm

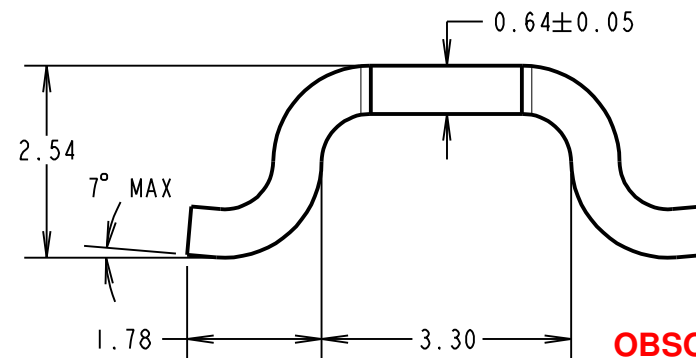


- NOTES:
 1. QUANTITY PER REEL = 2,500.
 2. THIS PRODUCT IS TAPED AND REELED IN ACCORDANCE WITH EIA-481 (ELECTRONIC INDUSTRIES ASSOCIATION).
 3. FOR LOOSE PART, SEE DRAWING S1731-XX.

SINGLE COMPONENT DIMENSIONS



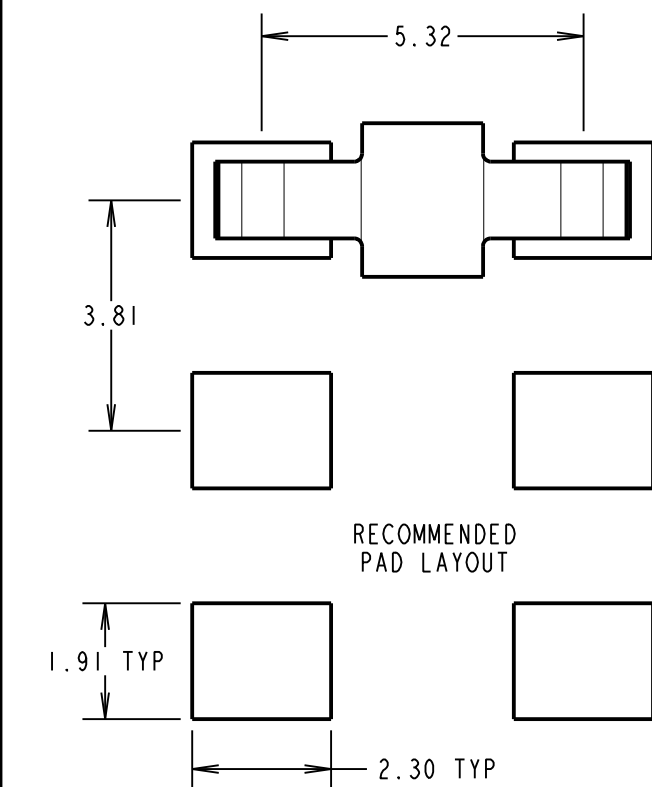
COMPONENT SPECIFICATION:
 MATERIAL = CW004A ETP COPPER
 FINISH:
~~06 = 3µ 90/10 TIN/LEAD~~
 46 = 3µ 100% TIN OVER NICKEL
 ELECTRICAL:
 CURRENT RATING = 10A (30°C TEMP RISE)
 CONTACT RESISTANCE = 20mΩ MAX
 ENVIRONMENTAL:
 OPERATING TEMPERATURE = -40°C TO +125°C



OBSELETE

ORDER CODE:
S1731-XX
 FINISH:
~~06 - 3µ 90/10 TIN LEAD OVER NICKEL~~
 46 - 3µ 100% TIN OVER NICKEL

MSP	6	16.10.15	13113
NAME	ISS.	DATE	C/NOTE
APPROVED:		M.PERREN	
CHECKED:		S.BENNETT	
DRAWN:		M. G. PLESTED	
CUSTOMER REF.:			
ASSEMBLY DRG:			



HARWIN
 www.harwin.com
 technical@harwin.com

THIS DRAWING AND ANY INFORMATION OR DESCRIPTIVE MATTER SET OUT HEREON ARE CONFIDENTIAL AND COPYRIGHT PROPERTY OF THE HARWIN GROUP AND MUST NOT BE DISCLOSED, LOANED, COPIED OR USED FOR MANUFACTURING, TENDERING OR FOR ANY OTHER PURPOSE WITHOUT THEIR WRITTEN PERMISSION.

TOLERANCES
 X. = ±1mm
 X.X = ±0.50mm
 X.XX = ±0.10mm
 X.XXX = ±0.01mm
 ANGLES = ±5°
 UNLESS STATED

MATERIAL: SEE ABOVE
 FINISH: SEE ABOVE
 S/AREA: mm²

TITLE:
 POWER SMT JUMPER LINK
 (TAPE AND REELED)

DRAWING NUMBER:
S1731-XXR

SHT
 2 OF 2