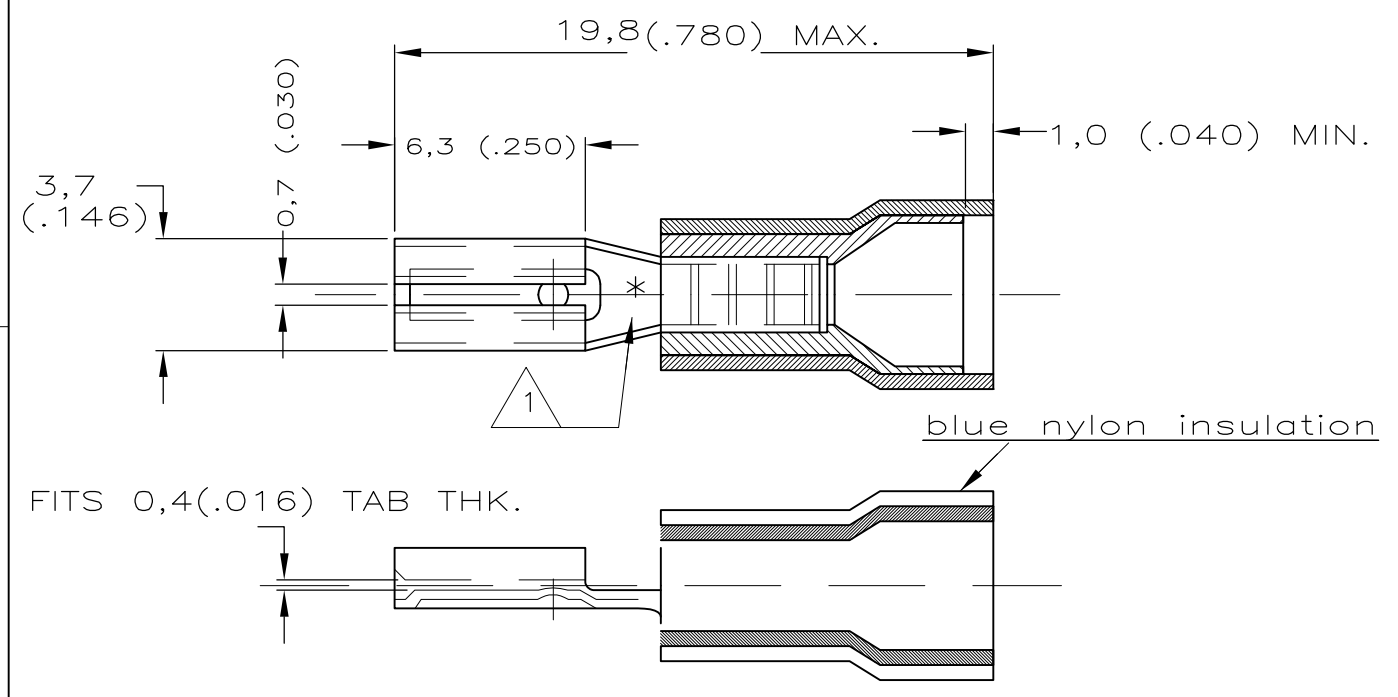


THIS DRAWING IS UNPUBLISHED. RELEASED FOR PUBLICATION
 © COPYRIGHT - BY TYCO ELECTRONICS CORPORATION. ALL RIGHTS RESERVED.

LOC	DIST	REVISIONS					
H	00	P	LTR	DESCRIPTION	DATE	DWN	APVD
			F2	REV PER ECR 08-028310	10NOV08	JR	TM



- △ 1 ASTERISK * FOR PH.BRONZE VERSION ONLY
- * * FOR WIRES 1,0 UP TO 1,5 mm² ,CONTACT AMP
- 2 WIRE RANGE: 1,5-2,5mm². INSUL. RANGE: 4,3mm MAX. DIA..

OBSOLETE	LOOSE PIECE	GOLD	PH. BRONZE	165615-7
		SILVER	PH. BRONZE	165615-6
		TIN	PH. BRONZE	165615-5
		GOLD	BRASS	165615-4
		SILVER	BRASS	165615-3
		TIN	BRASS	165615-2
PACKAGE TYPE	FINISH	MATERIAL	PARTNUMBER	

THIS DRAWING IS A CONTROLLED DOCUMENT.		DWN	16-09-86		Tyco Electronics Corporation	
DIMENSIONS: mm [INCHES]		CHK	-		Harrisburg, PA 17105-3608	
TOLERANCES UNLESS OTHERWISE SPECIFIED:		APVD	-		NAME	
0 PLC ± -		PRODUCT SPEC	-		.110 SERIES	
1 PLC ± -		APPLICATION SPEC	-		PIDG FASTON RECEPTACLE	
2 PLC ± -		WEIGHT	-		SIZE	CAGE CODE
3 PLC ± -		CUSTOMER DRAWING	A3 00779		DRAWING NO	RESTRICTED TO
4 PLC ± -			C-165615		SCALE	SHEET
ANGLES ± -				1 OF 1	REV	F2
MATERIAL	FINISH					