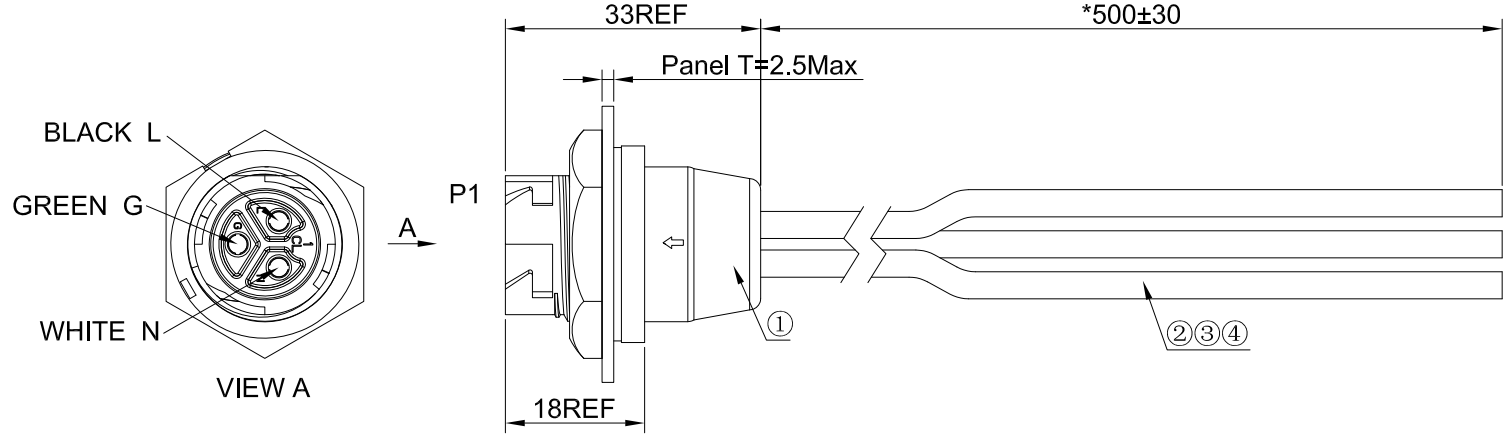
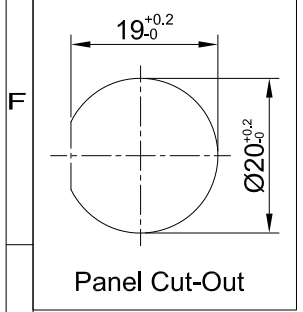


REV.	ECN NO.	DATE	SIGN	DESCRIPTION
C1	NA	2022/05/28	XU	First Version



P/N: 23003635-01-001

**SPECIFICATIONS:**

- 1.INSULATION RESISTANCE: 10MΩ@500VDC/0.01S.
- 2.VOLTAGE RATING: 600V.
- 3.CURRENT RATING: 20A.
- 4.OPERATION TEMPERATURE: -10℃~+105℃.
- 5.WATERPROOF IPX7(MATED).
- 6.RoHS COMPLIANT.

4	900-00101-00149	A/R	M	UL1015 14AWG PVC 105℃ 600V GREEN OD3.5
3	900-00101-00148	A/R	M	UL1015 14AWG PVC 105℃ 600V WHITE OD3.5
2	900-00101-00062	A/R	M	UL1015 14AWG PVC 105℃ 600V BLACK OD3.5
1	23003635-01-001	1	PC	MIDDIE SERIES 3PIN PANEL MOUNT WITH FEMALE PIN(4 LOCKS,MOLDING,-511)
No.	Material No.	Q'ty	Unit	Material Description

**Material List**

ITEM NO.	11C03622051408	DRAWN BY	XU	DATE	2022/06/02
DWG NO.	11C03622051408	CHECKED BY	Kevin	2022.06.02 17:53:53 +08'00'	DATE
CUSTOMER NO.		REV.		APPROVED BY	DATE

UNIT:mm		TITLE	MIDDIE SERIES 3PIN PANEL MOUNT WITH FEMALE PIN(4 LOCKS,MOLDING,-511) L=500MM
未注线性和角度尺寸公差 UNSPECIFIED TOLERANCE	SCALE N/A	SHEET	1 of 1
GB/T 1804-M	REV. C1	SIZE A4	* Inspection Item

**CHOGORI**<sup>®</sup>  
Chogori Technology Co., Ltd

THIS INFORMATION IS CONFIDENTIAL AND IS DISCLOSED TO YOU ON CONDITION THAT NO FURTHER DISCLOSURE IS MADE BY YOU TO OTHER THAN CHOGORI PERSONNEL WITHOUT AUTHORIZATION FROM CHOGORI CORP.