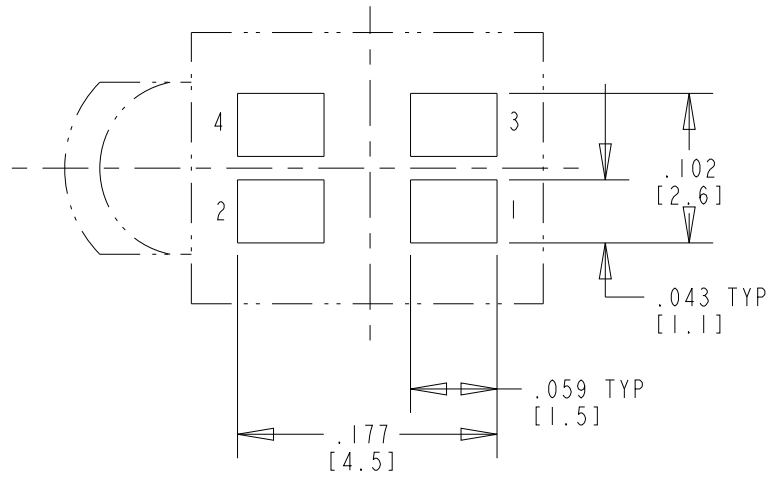
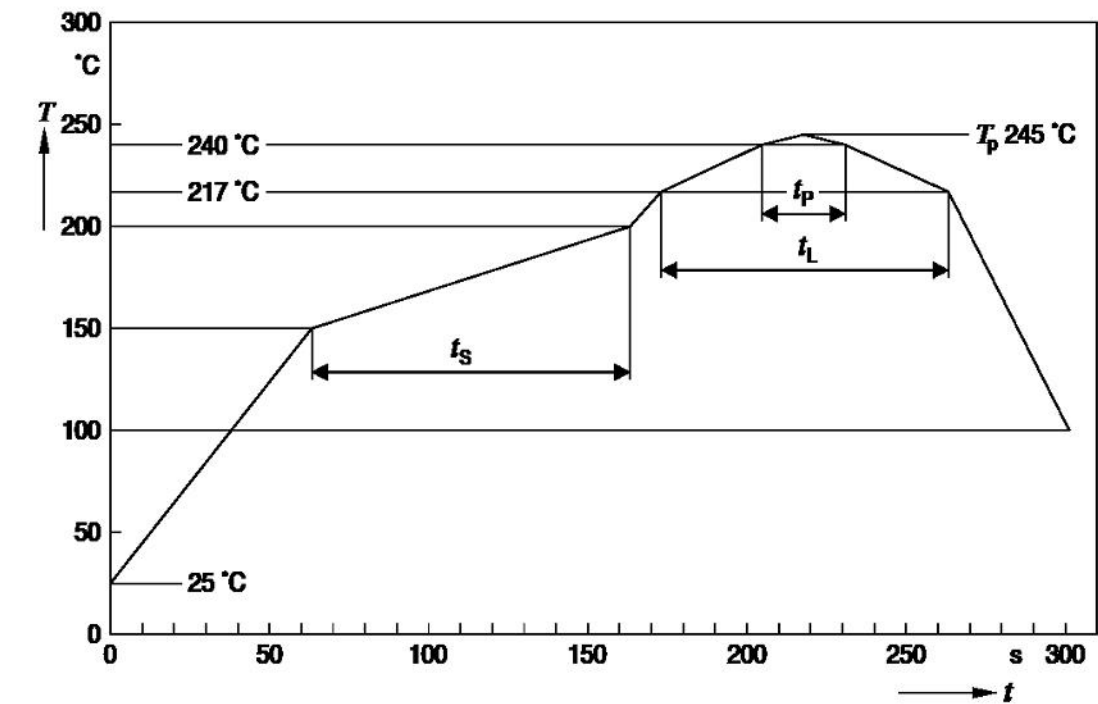


| OPERATING CHARACTERISTICS AT 25°C AMBIENT | | | | | | | | | | | | | |
|---|--|---------|-----|--|-----|---------------------------------|-----|-----------------------------|------|-----|-------------------------|-----|-----|
| LED COLOR | LUMINOUS INTENSITY @I _f = 10 mA (mcd) | | | FORWARD VOLTAGE @I _f = 2 mA (V) | | REVERSE CURRENT (μA) V = 12V | | DOMINANT WAVELENGTH (nm) | | | PEAK WAVELENGTH (nm) | | |
| | MIN | TYP | MAX | TYP | MAX | TYP | MAX | MIN | TYP | MAX | TYP | | |
| | 591-3001-860F | RED/GRN | RED | — | 17 | — | 1.8 | 2.2 | 0.01 | 10 | 624 | 630 | 636 |
| 591-3001-861F | RED/GRN | GREEN | — | 13 | — | — | — | — | — | 566 | 570 | 575 | 572 |
| 591-3101-862F | YLW/GRN | YELLOW | — | 20 | — | 1.8 | 2.2 | 0.01 | 10 | 580 | 587 | 595 | 591 |
| 591-3101-863F | YLW/GRN | GREEN | — | 13 | — | — | — | — | — | 566 | 570 | 575 | 572 |

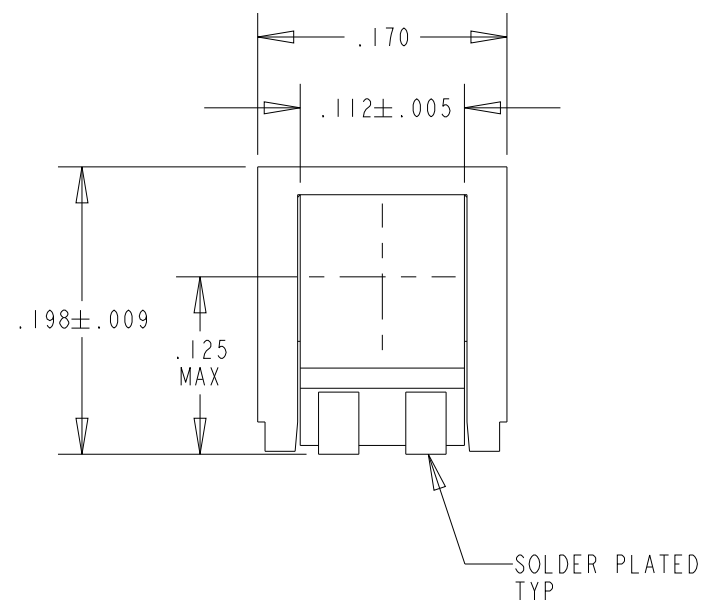
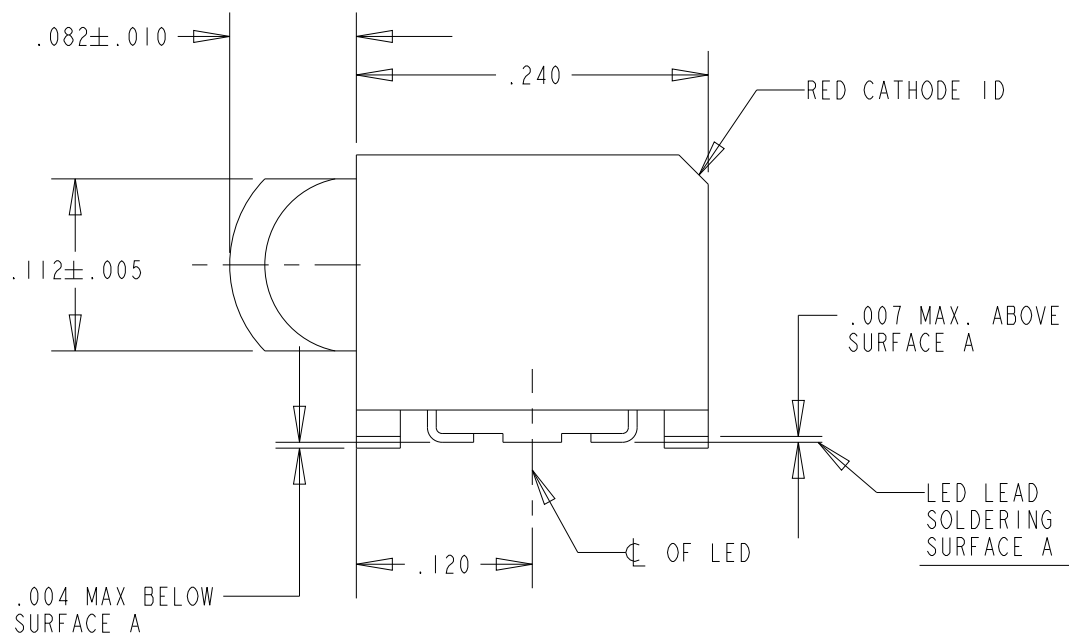


| ABSOLUTE MAXIMUM RATINGS AT 25°C AMBIENT | RED/GRN | YLW/GRN | UNITS |
|--|---|---------|-------|
| CONTINUOUS FORWARD CURRENT | 15 | | mA |
| REVERSE VOLTAGE | 12 | | V |
| SURGE CURRENT | 100 | | mA |
| PEAK SOLDERING TEMPERATURE | 245 | | °C |
| OPERATING TEMPERATURE | -40 TO +100 | | °C |
| STORAGE TEMPERATURE | -40 TO +100 | | °C |
| TIME ABOVE LIQUIDUS TEMPERATURE (t _L) | 80 Seconds Minimum 100 Seconds Maximum | | s |
| TIME WITHIN 5°C OF SPECIFIED PEAK TEM (T _P - 5°C) | 10 Seconds Minimum 30 Seconds Maximum | | s |
| PEAK TEMPERATURE T _P | 245 Recommended 260 Maximum | | °C |
| RAMP-UP RATE TO PREHEAT (25°C TO 150°C) | 2 °C/s Recommended 3 °C/s Max | | °C/s |
| RAMP-UP RATE TO PEAK (T _{max} to T _P) | | | |
| RAMP-DOWN RATE (T _P to 100°C) | 3 °C/s Recommended 6 °C/s Max | | °C/s |
| TIME (25°C to T _P) | 480 Seconds Maximum | | s |

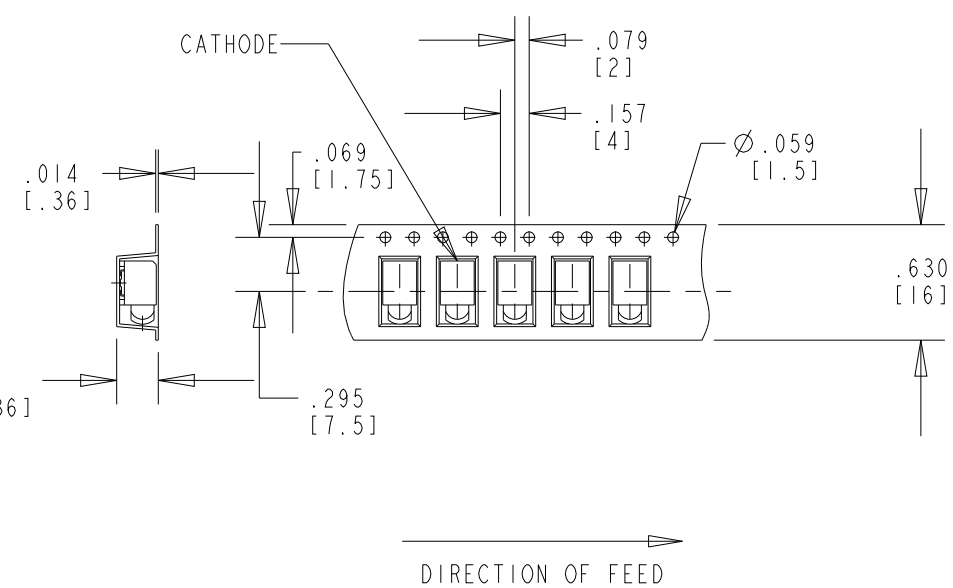


NOTES:

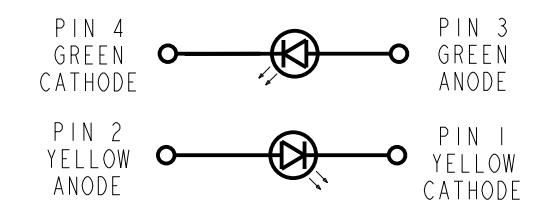
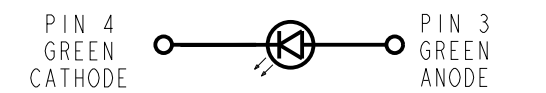
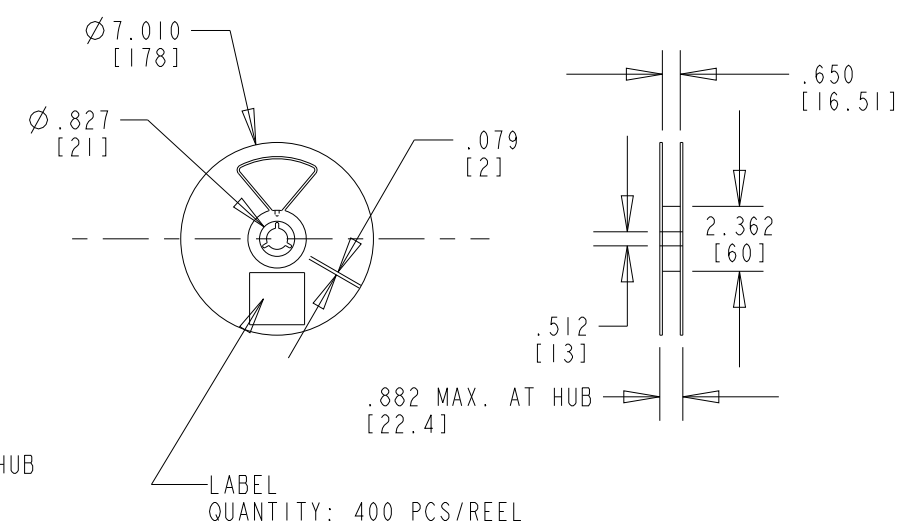
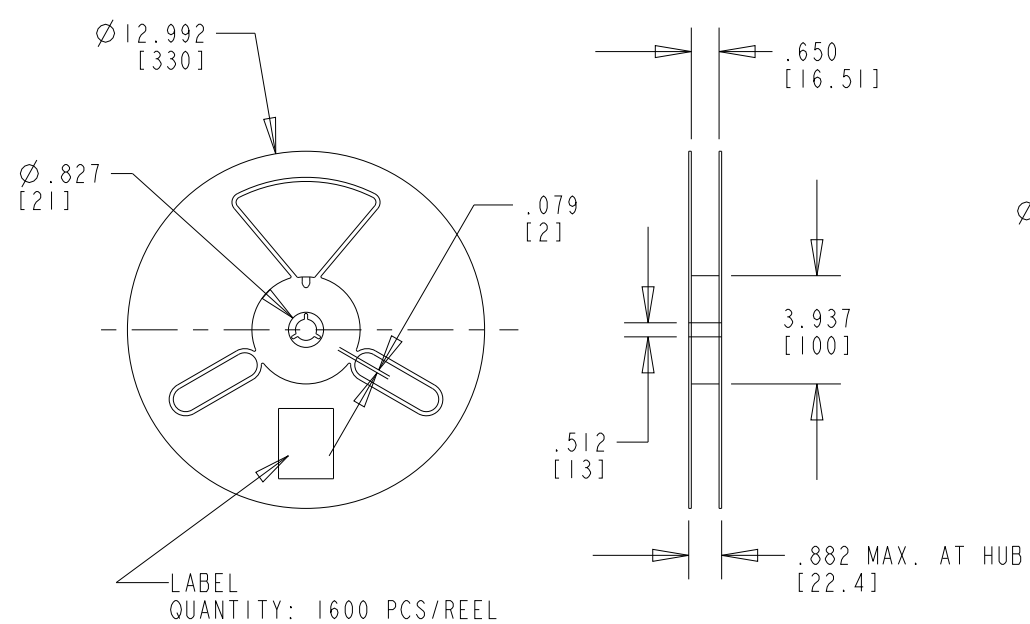
- MILLIMETER DIMENSIONS SHOWN FOR REFERENCE ONLY.
- PAD NUMBERS FOR REFERENCE ONLY. DESIGNATION NON-EXISTENT ON PART.
- STORAGE CONDITIONS FOR TAPED PRODUCT: RE-TAPING MAY BE NECESSARY FOR PRODUCT STORED MORE THAN TWELVE MONTHS.
- 860F & 862F SUFFIX MEANS PARTS ARE PACKED ON A 13 INCH REEL, 1600 PCS/REEL. -861F & 863F SUFFIX MEANS PARTS ARE PACKED ON A 7 INCH REEL, 400 PCS/REEL
- LENS MOVEMENT IN RELATIONSHIP TO THE HOUSING IS:
.009" T.I.R. VERTICALLY.
.007" T.I.R. HORIZONTALLY.
- FRONT AND REAR TERMINALS OF ASSEMBLY TO BE WITHIN .005 COPLANARITY.
- DIALIGHT PART NUMBER: 591-3001-860F, 591-3001-861F, 591-3101-862F, 591-3101-863F
- DEVICE HAS A MOISTURE SENSITIVITY LEVEL "2" CAUTION LABEL APPLIED AS PER JEDEC STD. 033.
- THIS PRODUCT IS RoHS COMPLIANT (Pb FREE). EACH BAG AND REEL IS MARKED WITH THE RoHS COMPLIANT LABEL P/N 9100-117-0852-99 OR EQUIVALENT MARKINGS.



TAPING SPECIFICATION



REEL SPECIFICATION



TOLERANCE: .004 UNLESS OTHERWISE SPECIFIED.
MILLIMETER DIMENSIONS SHOWN FOR REFERENCE ONLY.

| | | |
|---|---|-----|
| THIS DRAWING AND THE CONTENTS HEREIN ARE CONFIDENTIAL AND THE SOLE PROPERTY OF DIALIGHT CORP. REPRODUCTION OF THIS DRAWING OR CONSTRUCTION OF ANY PARTS WITHIN THIS DRAWING ARE FORBIDDEN WITHOUT THE WRITTEN CONSENT OF DIALIGHT CORP. | | |
| SCALE: DRAWING SCALE | DRAWING NUMBER | REV |
| ALL DIM'S IN: INCHES (MM) | C-18341 | B |
| TOLERANCES: UNLESS OTHERWISE SPECIFIED | TITLE 3mm PRISM R/G, Y/G (LOW CURRENT) ROUND LENS, RoHS COMPLIANT | |
| FRACTIONS: ±1/64 | MATERIAL | |
| DECIMALS (.XX): ±.01 | FINISH | |
| DECIMALS (.XXX): ±.005 | FSCM 83330 | |
| DECIMALS (.XXXX): ±.0005 | SHEET 1 OF 1 FAMILY TABLE: | |
| ANGLES: ±1° | Dialight 1501 ROUTE 34 SOUTH FARMINGDALE, NJ 07727 (732) 919-3119 www.dialight.com | |