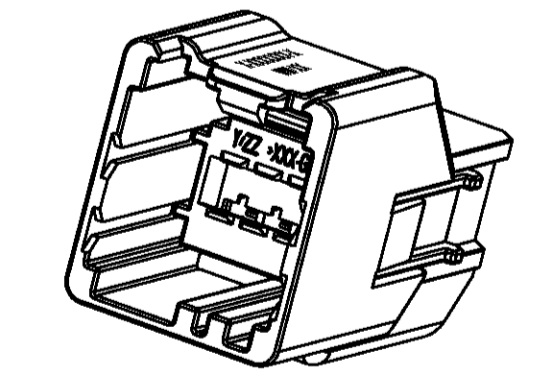
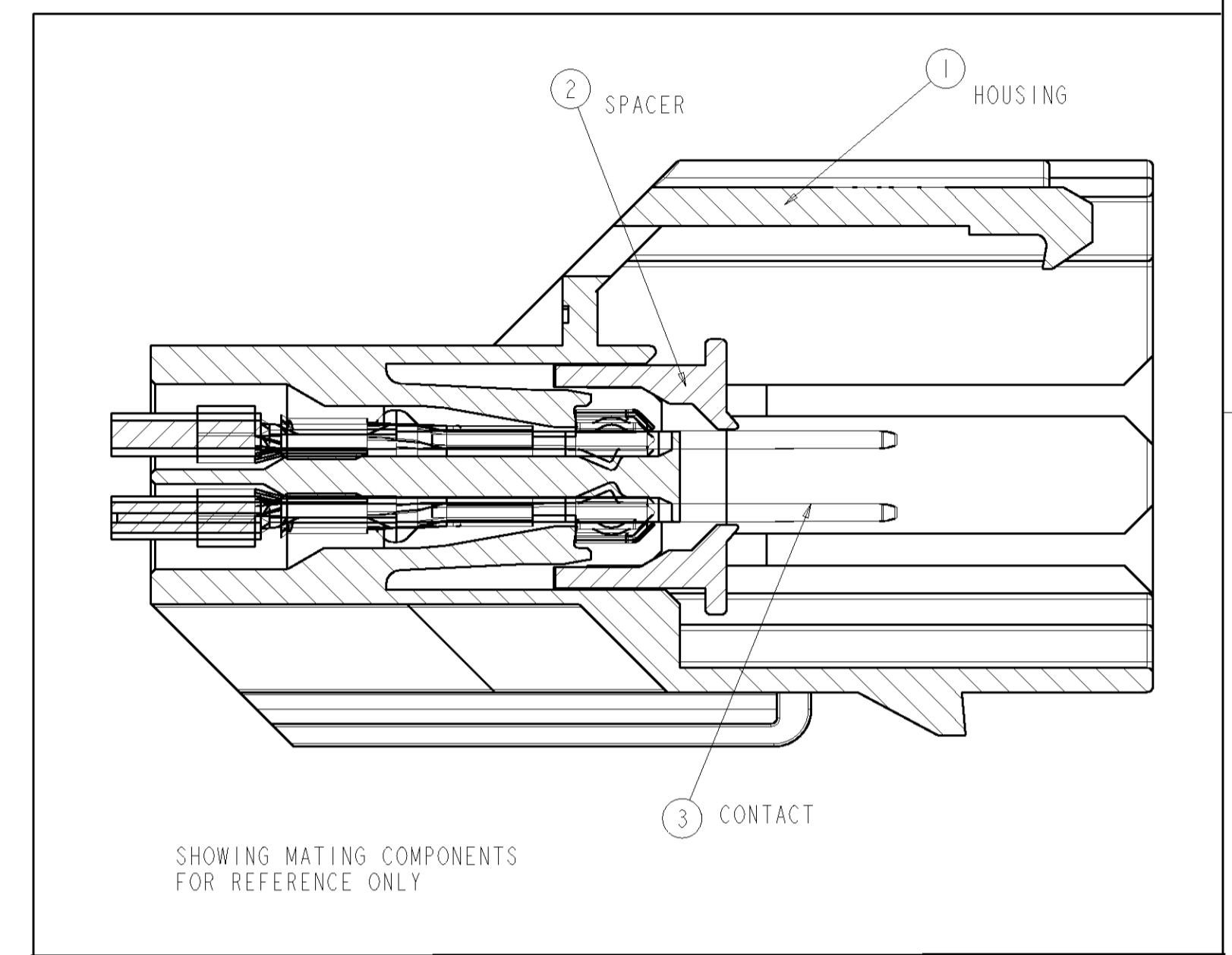
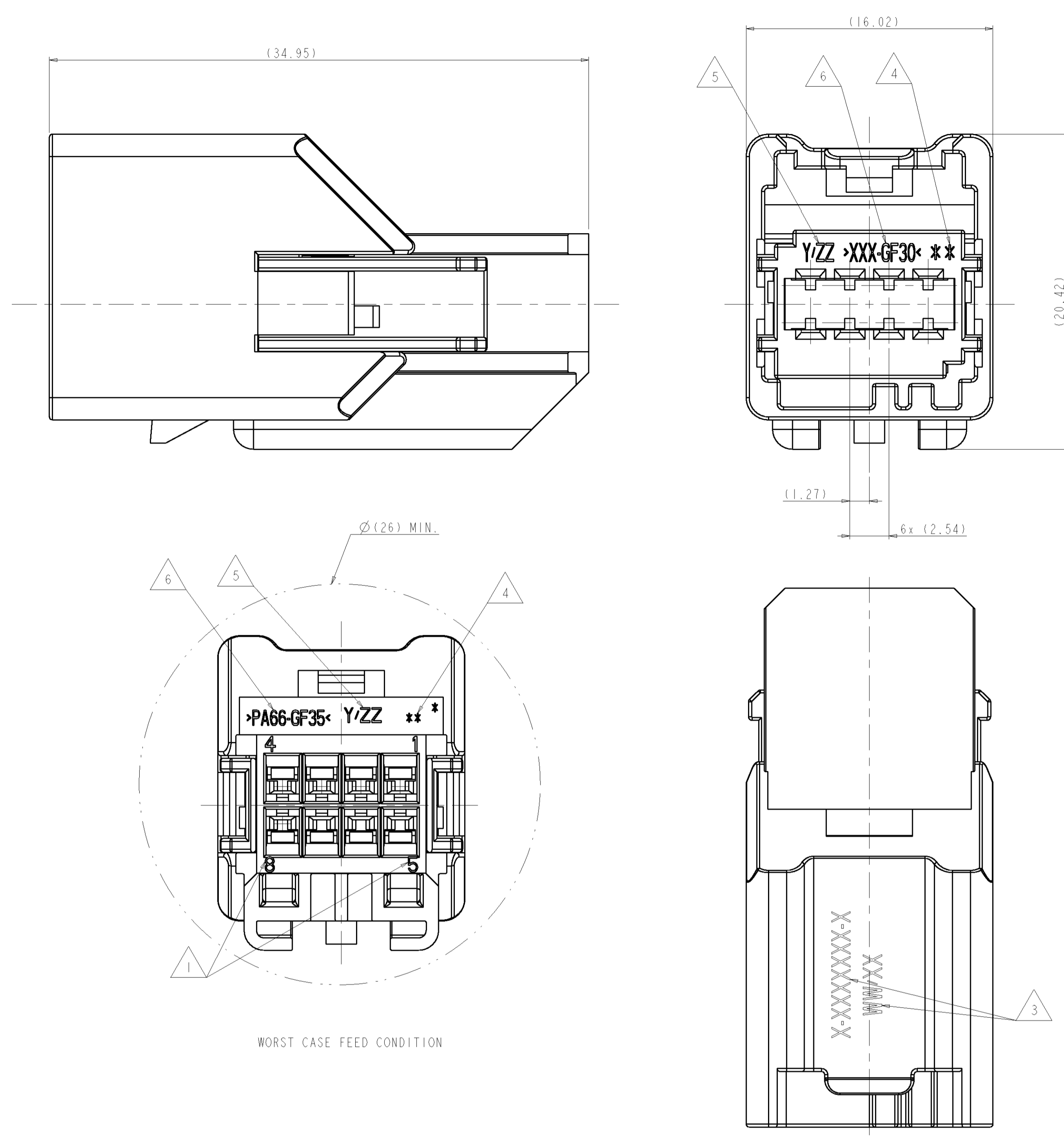


- NOTE:
- 1 MOLD TERMINAL POSITION NUMBERS LOCATED AS SHOWN
 - 2 DELIVERY CONDITION: SPACER IN PRE INSTALLED POSITION
 - 3 PART NUMBER AND TRACEABILITY CODE
 - 4 PRODUCT REVISION LEVEL OPTIONAL
 - 5 TOOL NUMBER AND CAVITY NUMBER OPTIONAL
 - 6 MATERIAL IDENTIFICATION
 - 7 PACKING: CONNECTOR ASSEMBLIES TO BE BULK PACKED IN CARD BOARD BOX



KEYING OPTION C IS SHOWN

TYCO ORDER NUMBER	KEYING OPTIONS							
	A	C	D	E	F	G	H	
1411169-1								
1411169-3								
1411169-4								
1411169-5								
1411169-6								
1411169-7								
1411169-8								
TYCO ASSY-REV.	A	C	D	E	F	G	H	
D	D	B	-	-	-	-	-	
	I	I	I	I	I	I	I	2
	-	-	-	-	-	-	I	I
	-	-	-	-	-	I	-	I
	-	-	-	I	-	-	-	I
	-	-	I	-	-	-	-	I
	-	I	-	-	-	-	-	I
	I	-	-	-	-	-	-	I
KEYING OPTIONS	ITEM	DESCRIPTION	MATERIAL	COLOUR				
		SPACER	PBT-GF30	RED				
		MALE HOUSING COD.H	PA66-GF35	GREY				
		MALE HOUSING COD.G	PA66-GF35	GREY				
		MALE HOUSING COD.F	PA66-GF35	GREY				
		MALE HOUSING COD.E	PA66-GF35	GREY				
		MALE HOUSING COD.D	PA66-GF35	GREY				
		MALE HOUSING COD.C	PA66-GF35	GREY				
		MALE HOUSING COD.A	PA66-GF35	GREY				

DIMENSIONS: mm		TOLERANCES UNLESS OTHERWISE SPECIFIED:		DWN: R. STUBBE 24MAR2002		ECHK: G. STEINBACH 29APR2002		Tyco Electronics Harrisburg, PA 17105-3608	
		0-ELC ± 1-PLC ± 2-PLC ± 3-PLC ± 4-PLC ± ANGLES ±		PRODUCT SPEC APPLICATION SPEC WEIGHT CUSTOMER DRAWING		NAME 2X4 POS. GET MALE CONNECTOR; UNSEALED ASSEMBLY		RESTRICTED TO SCALE 5:1 SHEET 1 OF 1 REV D	
MATERIAL		FINISH		APVD		APVD		SIZE: CAGE CODE DRAWING NO: 00779 C=1411169 DATE: 25MAR2002 DWN: M.D. DATE: 25JUN2002 MD: - DATE: 19DEC2002 MD: - DATE: 04NOV2005 CS: GS DATE: 25MAR2007 HM: GS	