

**TECHNICAL SPECIFICATIONS:**

**MATERIAL :**

HOUSING TYPE 1: POLYESTER GLASS FILLED UL 94VO  
COLOR BLACK

HOUSING TYPE 2: POLYAMIDE HIGH TEMPERATURE GLASS  
FILLED UL 94VO COLOR BLACK

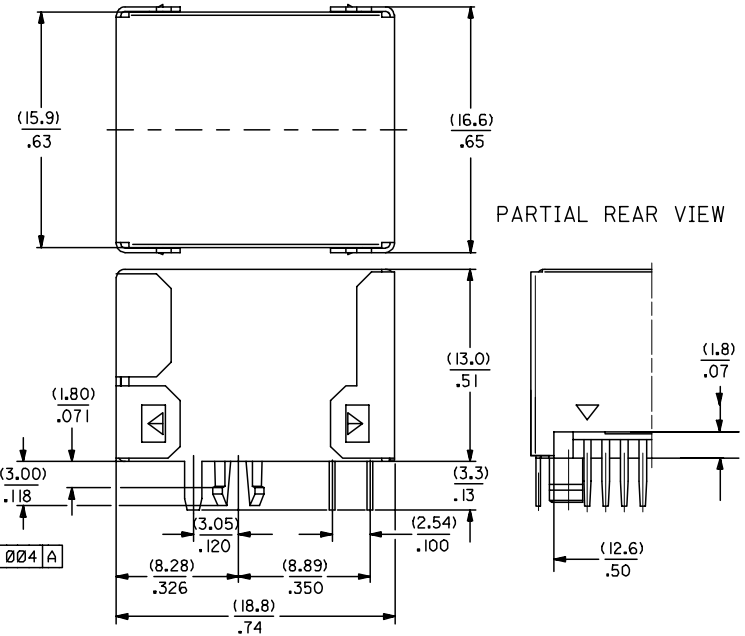
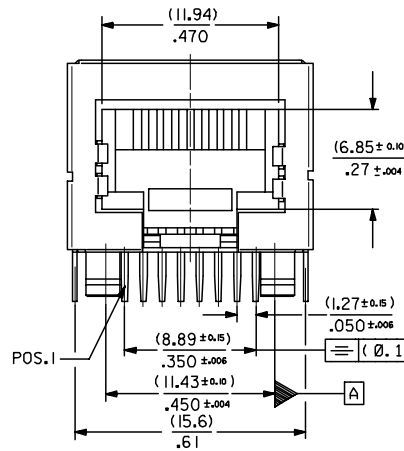
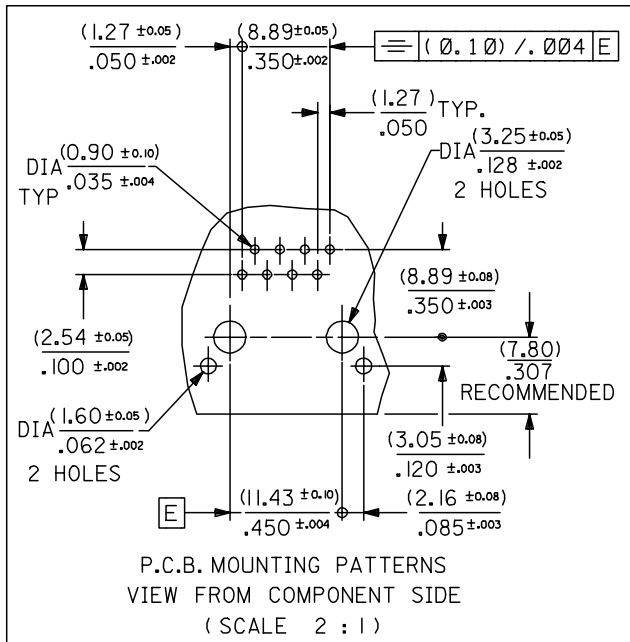
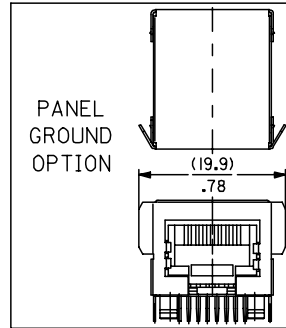
TERMINAL : PHOSPHOR BRONZE PLATED WITH :

(0.00127)/.000050 MIN. GOLD IN CONTACT AREA,  
(0.00190)/.000075 MIN. PURE TIN IN TAIL AREA,

BOTH OVER (0.00127)/.000050 MIN. NICKEL OVERALL

SHIELD : BRASS PLATED WITH (0.0020)/.000078 MIN. TIN.

ENG.N°.	HOUSING SIZE	HOUSING MATERIAL TYPE	LOADED CKTS	PANEL GROUND	TOOLED	PACKAGING SPECIFICATION PK-95122
95122-2881	8	1	8	NO	YES	TRAY (SHEET 1)
95122-2882				YES	YES	BLISTER (SHEET 2)
95122-2883		2		NO	YES	TRAY (SHEET 1)



**NOTES:**

- 1- JACK FOR MATING WITH SHIELDED PLUG MOLEX 95043 AND 85568 SERIES.
- 2- PRODUCT SPECIFICATION: MOLEX PS-95122.
- 3- APPLICATION SPECIFICATION: MOLEX AS-95001.
- 4- PACKAGING SPECIFICATION: MOLEX PK-95122 (SEE CHART)
- 5- P.C. BOARD THICKNESS : (1.57)/.062

ENTER DESCRIPTION EC NO: MG2005-0122 DRAWN: KNOLLER 2004/10/08 CHKD: FCARABET 2004/10/08 APPR: KNOLLER 2004/10/08	QUALITY SYMBOLS ▽=0 ▽=0	GENERAL TOLERANCES (UNLESS SPECIFIED)		DIMENSION STYLE	SCALE	DESIGN UNITS	THIRD ANGLE PROJECTION
		mm	INCH	MM/IN	3:1	METRIC	
DRAWN BY: GP CHECKED BY: FB APPROVED BY: JB MATERIAL NO. DATE: 93/04/20	4 PLACES	± ---	± ---	SEE CHART	93/04/20	TITLE	FULLY SHIELDED R/A MODULAR JACK 8 CKTS THROUGH HOLE - VERSION A
	3 PLACES	± ---	± .010				
	2 PLACES	± 0.25	± .014				
	1 PLACE	± 0.35	± ---				
	ANGULAR ± 2 °						
DRAFT WHERE APPLICABLE MUST REMAIN WITHIN DIMENSIONS		SIZE A3		DOCUMENT NO. SDA-95122		SHEET NO. 1 OF 3	
THIS DRAWING CONTAINS INFORMATION THAT IS PROPRIETARY TO MOLEX INCORPORATED AND SHOULD NOT BE USED WITHOUT WRITTEN PERMISSION							