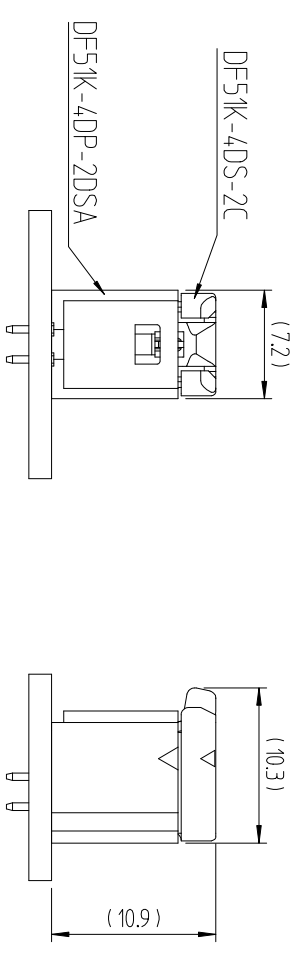
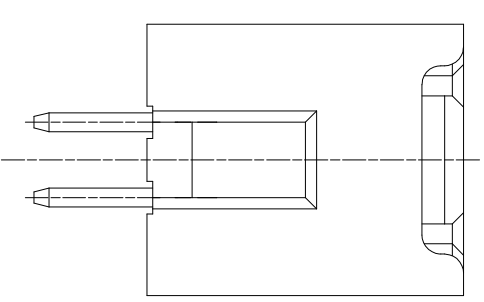
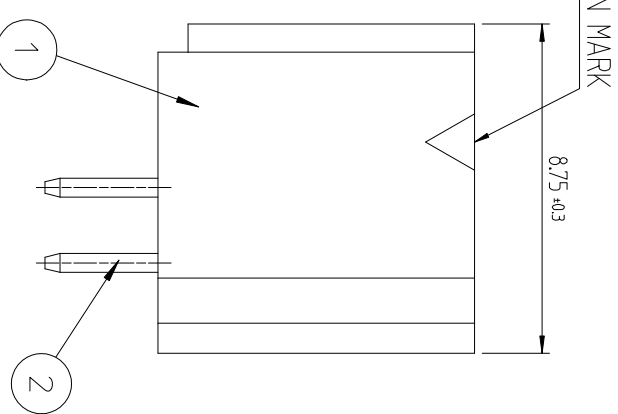
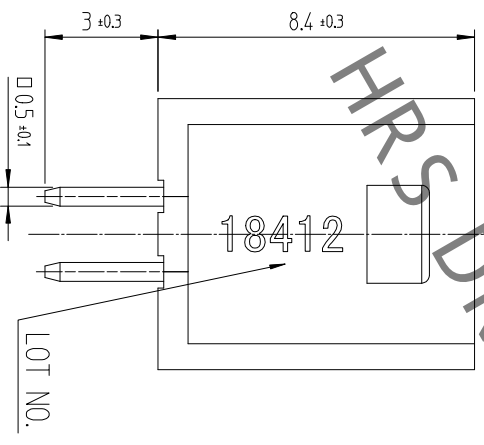
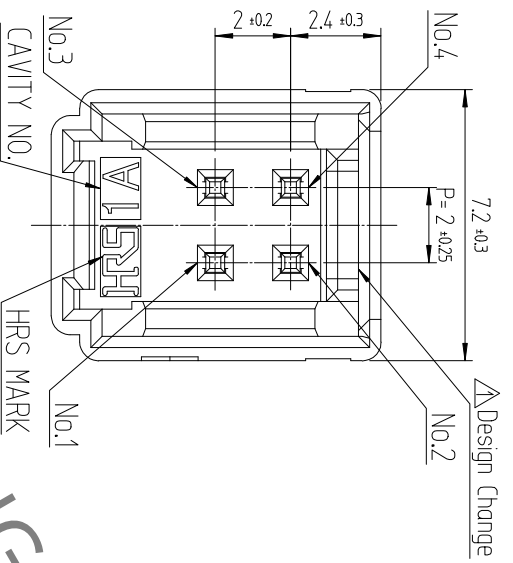
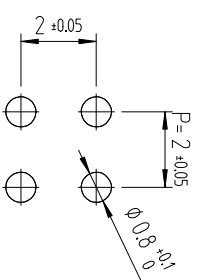
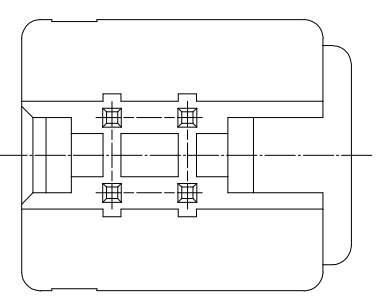


△數 COUNT	訂正事項 DESCRIPTION OF REVISIONS	檢査 CHKD	年月日 DATE	△數 COUNT	訂正事項 DESCRIPTION OF REVISIONS	檢査 CHKD	年月日 DATE
1	RE-6-1150	K.I.Y	18. 07. 04				
2	RE-6-1579	K.I.Y	20. 01. 23				

RECOMMENDED LAND PATTERN (FREE)
 (PCB THICKNESS t=1.6mm)



ENGAGEMENT FIGURE (2:1)



NOTE 1. 1PACK CONTAINS 100PCS.

2. () DIMENSIONS ARE ONLY REFERENCE.

3. UL(File No. E132750) AUTHORIZATION ARTICLE.

C-UL(File No. E132750) AUTHORIZATION ARTICLE.



1	△PA66	UL94V-0, BLACK	2	BRASS	TIN PLATING 1μm MIN, OVER NICKEL 0.5μm MIN
NO. MATERIAL		FINISH/REMARKS	NO. MATERIAL		FINISH/REMARKS
CODE NO. (OLD)		DRAWN	CHECKED		APPROVED
		CHOI 17.12.22 J.S	LIM 17.12.22 S.M		KANG 17.12.22 T.S
		DESIGNED		RELEASED	
		CHOI 17.12.22 J.S		ENG 20.02.12 DEPT	
DRAWING NO.		PART NO.			
EDC3-632457		DF51K-4DP-2DSA (800)			
SCALE		CODE NO.			
5:1		CL 6652-0006-5-800			
UNITS					
mm					

1 2 3 4 5 6 7 8

F E D C B A