

MATERIALS AND FINISHES

J BODY BRASS
PLATED NICKEL

I CENTER CONTACT BRASS
PLATED GOLD

OUTER CONTACT BRASS
PLATED NICKEL

H CRIMP TUBE BRASS
PLATED TIN

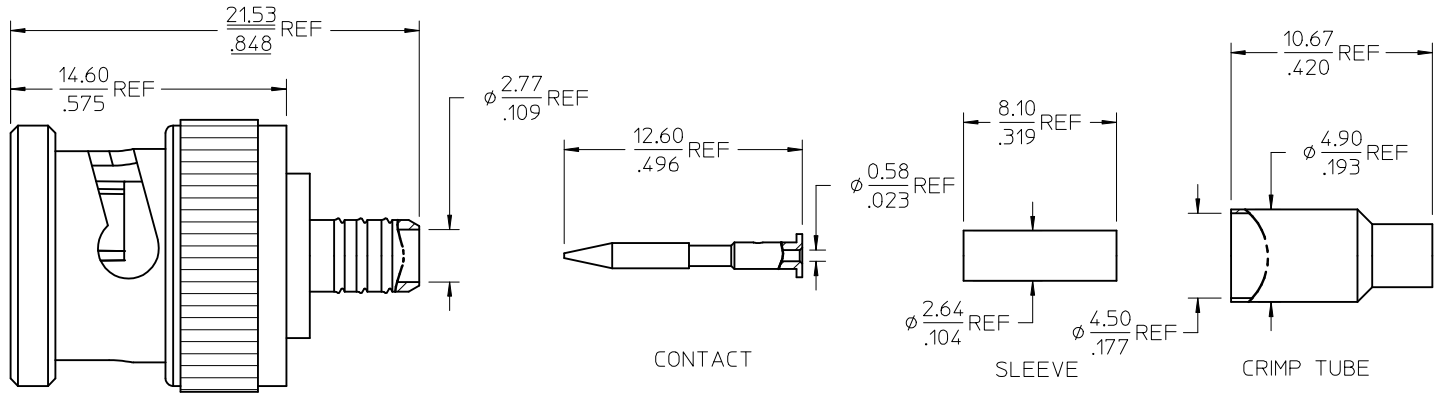
G COUPLING NUT ZINC
PLATED NICKEL

WASHER BRASS
PLATED NICKEL

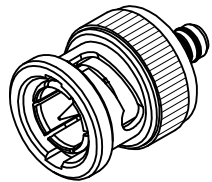
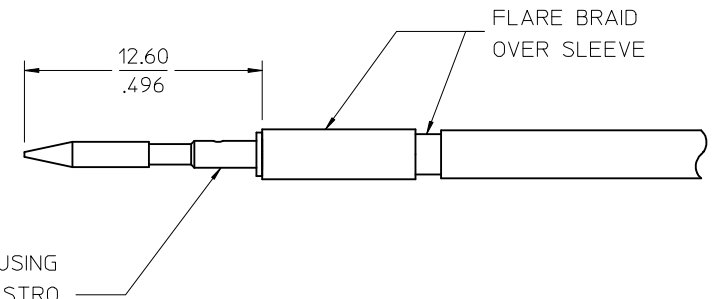
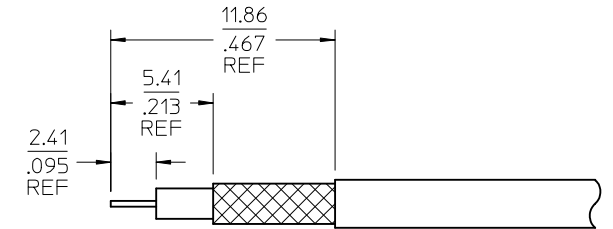
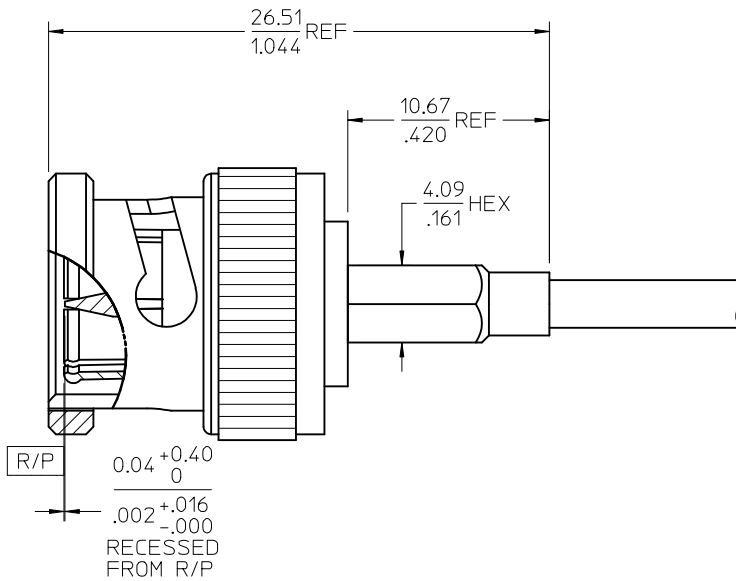
F SPRING WASHER BeCu
PLATED NICKEL

GASKET SILICONE RUBBER

E INSULATOR, SLEEVE TEFLON



BNC PLUG



PART # 73171-1290

CONTACT MAY BE SOLDERED OR CRIMPED USING 8 INDENT CRIMP TOOL SET TO .73 (.029) (ASTRO TOOL NUMBER 612118 OR EQUIVALENT TOOL)

PS-89675-2020	PRODUCT SPECIFICATION
SPECIFICATION	DESCRIPTION

CHG: ADDED TO TOLERANCE TO CONTACT ASSY. EC NO: URF2010-0181 DRWINAROBERTSON 2009/09/24 CHKD:SSS 2009/09/24 APPR: JWENNER 2009/09/24	QUALITY SYMBOLS ▽=0 ▽=0	GENERAL TOLERANCES (UNLESS SPECIFIED) mm INCH 4 PLACES ± --- ± --- 3 PLACES ± --- ± --- 2 PLACES ± --- ± --- 1 PLACE ± --- ± --- ANGULAR ± 2 °	DIMENSION STYLE MM/IN DRAWN BY DATE LMB 2000/08/22 CHECKED BY DATE GMH 2000/08/22 APPROVED BY DATE GMH 2000/08/22	SCALE DESIGN UNITS METRIC THIRD ANGLE PROJECTION	TITLE BNC PLUG, STR, 75 OHMS RG-179 EWR-1125 BNC-PC	MATERIAL NO. 731711290	DOCUMENT NO. SD-73171-129	SHEET NO. 1 OF 1
		DRAFT WHERE APPLICABLE MUST REMAIN WITHIN DIMENSIONS		MOLEX INCORPORATED		THIS DRAWING CONTAINS INFORMATION THAT IS PROPRIETARY TO MOLEX INCORPORATED AND SHOULD NOT BE USED WITHOUT WRITTEN PERMISSION		
		REV B1		SIZE C		MOLEX INCORPORATED		