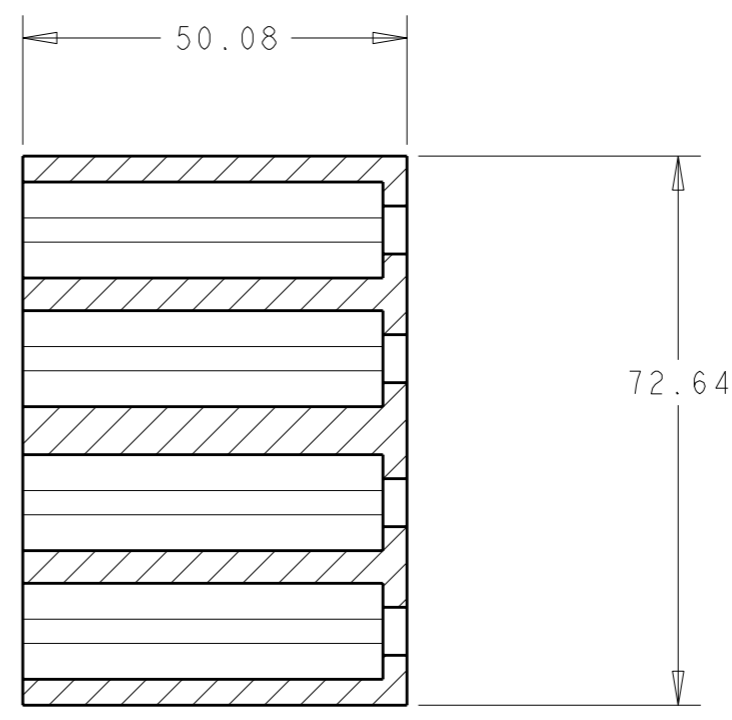
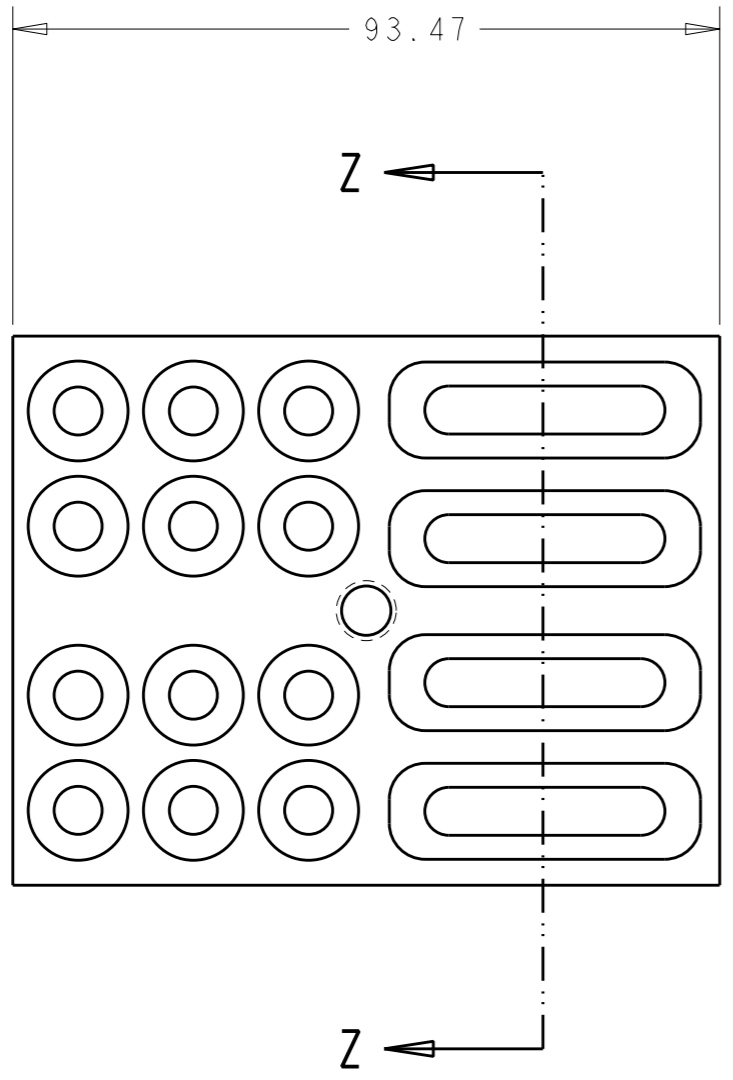


THIS DRAWING IS UNPUBLISHED. RELEASED FOR PUBLICATION 20
 © COPYRIGHT 20 BY TYCO ELECTRONICS CORPORATION. ALL RIGHTS RESERVED.

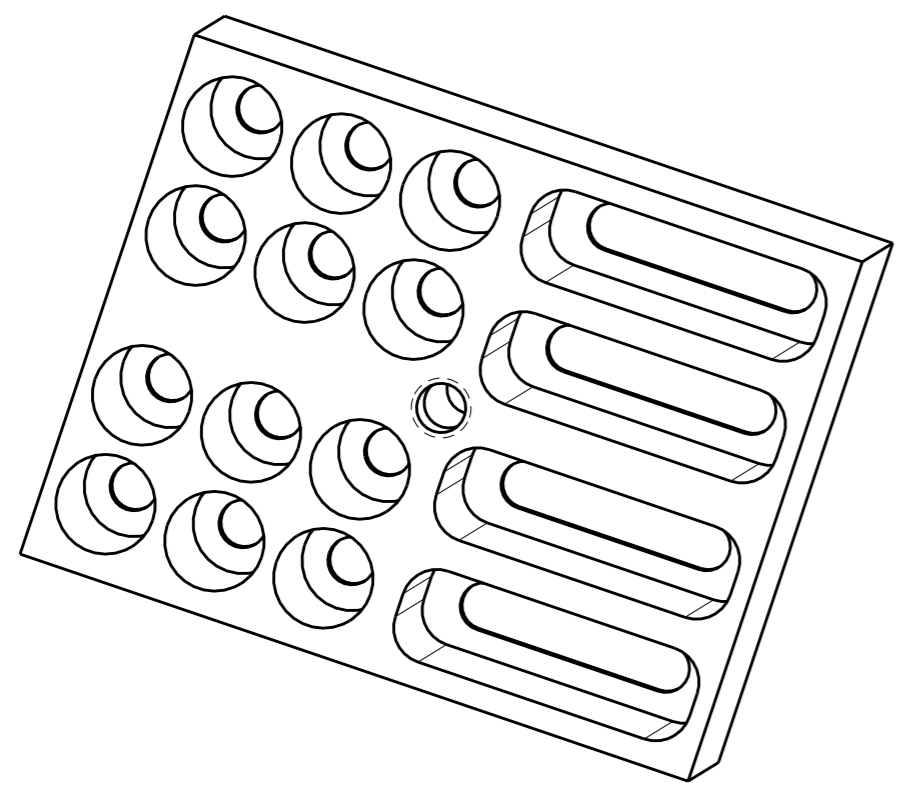
LOC	DIST	REVISIONS			
P	LTR	DESCRIPTION	DATE	DWN	APVD
CE	00	C	REVISE PER ECR-06-015377	07JUL2006	BB DK



SECTION Z-Z

- 1 MATERIAL: ALUMINUM.
- 2 FINISH: BLACK ANODIZE.

502276-1
PART NUMBER



<small>THIS DRAWING IS A CONTROLLED DOCUMENT FOR TYCO ELECTRONICS CORPORATION IT IS SUBJECT TO CHANGE AND THE CONTROLLING ENGINEERING ORGANIZATION SHOULD BE CONTACTED FOR THE LATEST REVISION.</small>		DWN B. BRIGGS 07JUL2006 CHK D. KIRSCH 07JUL2006 APVD S. BUCHTER 07JUL2006		tyco Tyco Electronics Electronics Harrisburg, PA 17105-3608	
DIMENSIONS: mm		TOLERANCES UNLESS OTHERWISE SPECIFIED: 0 PLC ±- 1 PLC ±- 2 PLC ±0.02 3 PLC ±- 4 PLC ±- ANGLES ±-		NAME HEATCURE BLOCK, UNIVERSAL	
		MATERIAL - 1		FINISH - 2	
MATERIAL - 1		FINISH - 2		PRODUCT SPEC - APPLICATION SPEC - WEIGHT -	
CUSTOMER DRAWING				SIZE A3 CAGE CODE 00779 DRAWING NO C-502276 RESTRICTED TO -	
SCALE				SHEET OF REV C	