

Silicon Bridge Rectifiers

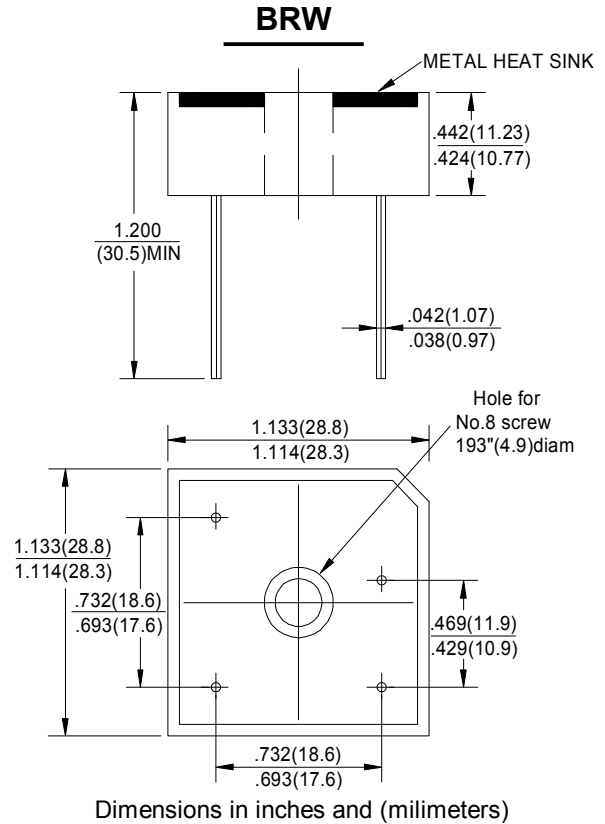
BR10/15/25/35/50A W -G SERIES

"-G" : RoHS Device

REVERSE VOLTAGE - 50 to 1000V
FORWARD CURRENT - 10/15/25/35/50A

FEATURES

- Surge overload -240~500 amperes peak
- Low forward voltage drop
- Mounting position: Any
- Electrically isolated base -2000 Volts
- Solderable 0.25" FASTON terminals
- Materials used carries U/L recognition



MAXIMUM RATINGS AND ELECTRICAL CHARACTERISTICS

Rating at 25°C ambient temperature unless otherwise specified.

Resistive or inductive load 60HZ.

For capacitive load current by 20%

CHARACTERISTICS	SYMBOL	BR-W	BR-W	BR-W	BR-W	BR-W	BR-W	BR-W	UNIT			
		10005	1001	1002	1004	1006	1008	1010				
Maximum Recurrent Peak Reverse Voltage	V _{RRM}	50	100	200	400	600	800	1000	V			
Maximum RMS Bridge Input Voltage	V _{RMS}	35	70	140	280	420	560	700	V			
Maximum Average Forward Rectified Output Current at @T _c =55°C	I _(AV)	BR-W 10	BR-W 15	BR-W 25	BR-W 35	BR-W 50	BR-W 10	BR-W 15	A			
Peak Forward Surge Current 8.3ms Single Half Sine-Wave Super Imposed on Rated Load	I _{FSM}	10	240	15	300	25	400	35	400	50	500	A
Maximum Forward Voltage Drop Per Element at 5.0/7.5/12.5/17.5/25.0A Peak	V _F	1.1							V			
Maximum Reverse Current at Rated DC Blocking Voltage Per Element @T _A =25°C	I _R	10.0							µA			
Operating Temperature Rang	T _J	-55 to +125							°C			
Storage Temperature Rang	T _{STG}	-55 to +125							°C			

RATINGS AND CHARACTERISTIC CURVES BR10/15/25/35/50A W -G SERIES

FIG.1-MAXIMUM FORWARD SURGE CURRENT

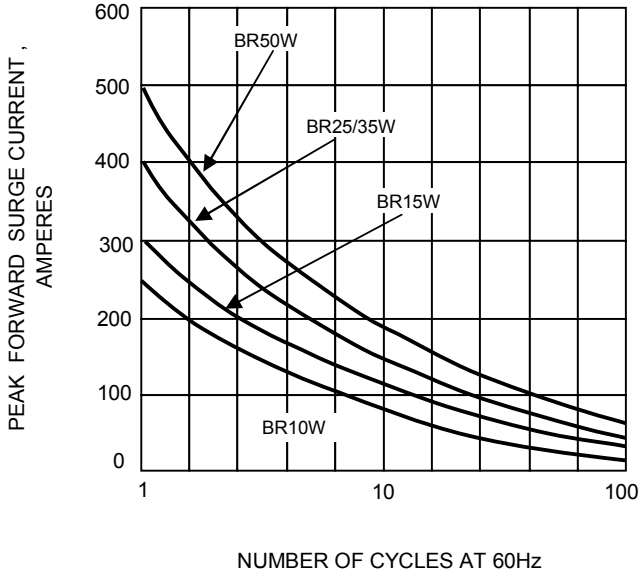


FIG.2- DERATING CURVE OUTPUT RECTIFIED CURRENT

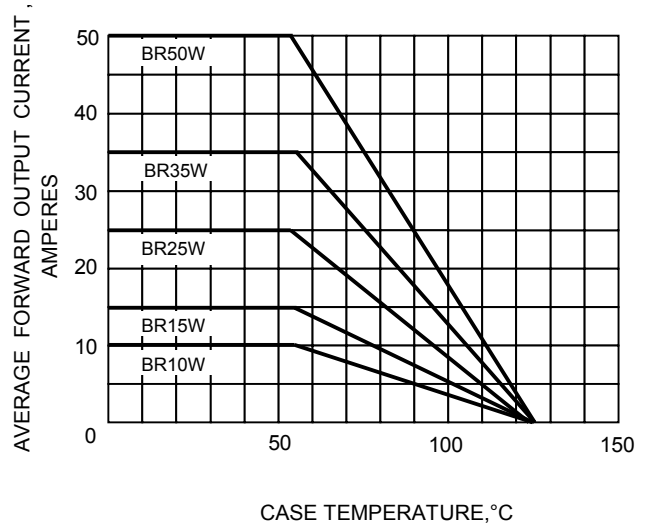


FIG.3-TYPICAL FORWARD CHARACTERISTICS

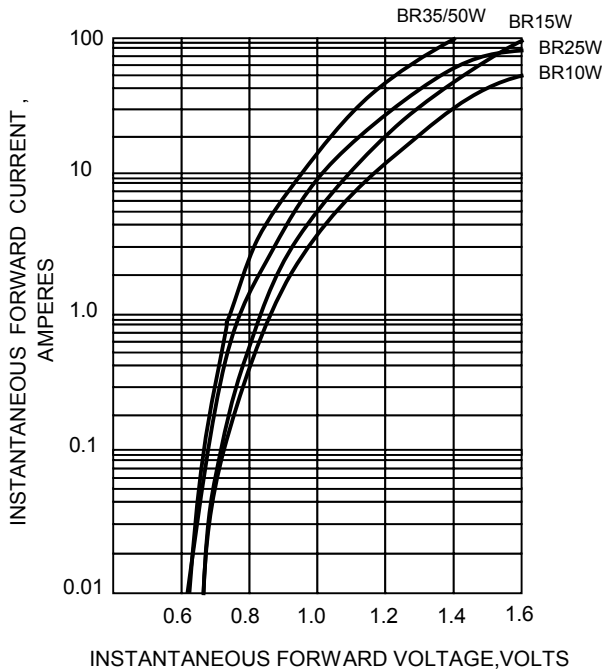


FIG.4-TYPICAL REVERSE CHARACTERISTICS

