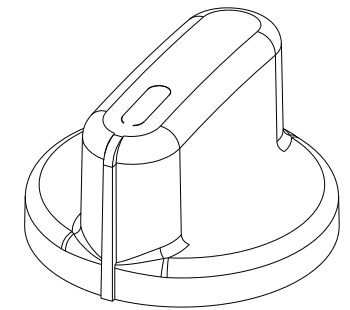
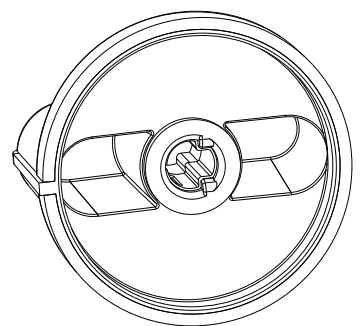
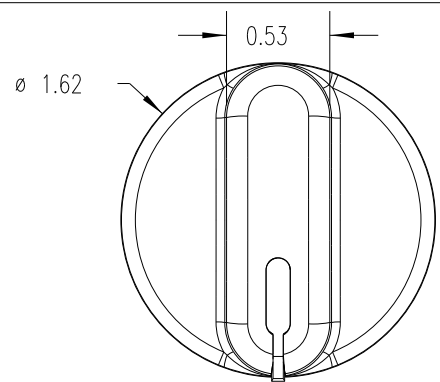


PART NAME: KNOB SCALE: 1:1 DATE: 12/27/07 DR. BY JAM

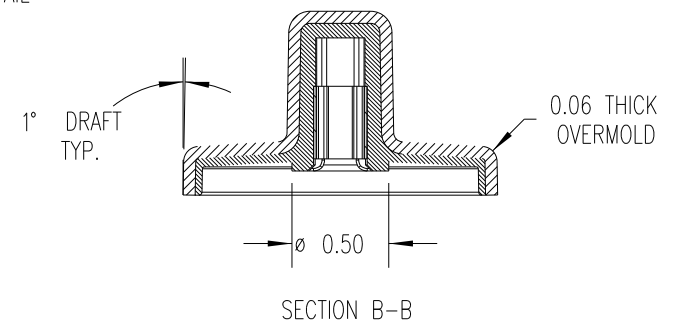
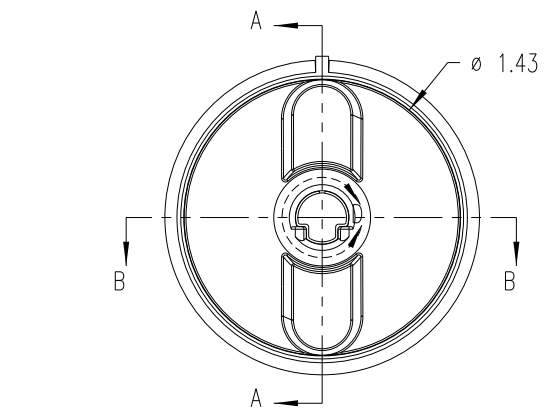
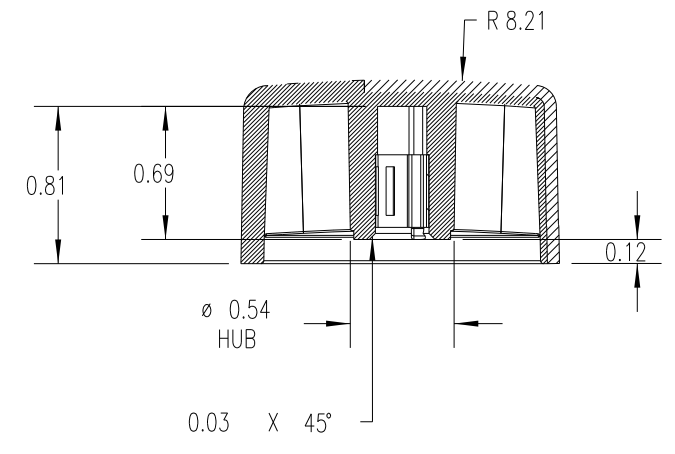
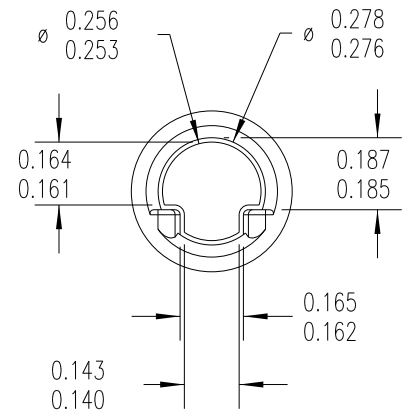
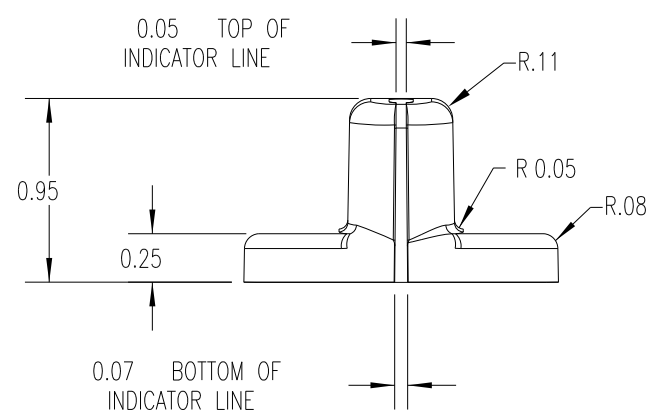
DAVIES MOLDING COMPANY  
CAROL STREAM, ILLINOIS 60188

P/N 1506-C  
BASE PART 1506-04  
SPRING I0476

THIS DRAWING IS THE PROPERTY OF DAVIES MOLDING COMPANY, IS SUBMITTED SOLELY AS A DESIGN OR ENGINEERING PROJECT. WE ACCEPT NO RESPONSIBILITY WHATSOEVER FOR THE PRACTICAL APPLICATION OF THE PIECES MADE TO THIS DESIGN.



(A)  
(B)



MATERIAL: SUBSTRATE: POLYPROPYLENE (CLD)  
OVERMOLD: TPE (TPE3)  
COLOR: SUBSTRATE: WHITE (PC23083)  
OVERMOLD: BLACK

TOLERANCES: UNLESS OTHERWISE SPECIFIED	DO NOT SCALE DRAWING			
DECIMALS: X.XXX ± .005 X.XX ± .015	MM: X.XX ± 0.15MM X.X ± 0.4MM	B	ADDED BASE PART	JAM 3/27/14
FRACTIONS ± 1/64	ANG. ± 1°	A	MOLD # WAS 1506	JAM 12/14/09
CHANGES				