

注記 NOTES:

1. 使用材料 MATERIAL
 - ハウジング : PPS, UL94V-0
 - ターミナル : リン青銅 (t=0.25)
 - メッキ : 銅下地半田メッキ
 - 金具 : リン青銅 (t=0.25)
 - メッキ : 銅下地半田メッキ
- 基準面 [E] からのソルダテールとフィッティングネイルの半田付け面のスレ量は、上方向に0.1MAX. 下方向0.15MAX. とする。
 MISALIGNMENT OF SOLDER TAIL AND FITTING NAIL FROM [E] : UPPER DIRECTION 0.1 MAX. , LOWER DIRECTION 0.15 MAX.
- 偶数極に適用。
 APPLY FOR EVEN CKT.

- HOUSING : PPS, UL94V-0
- TERMINAL : PHOSPHOR BRONZE
- PLATING : Sn-Pb OVER Cu
- FITTING NAIL : PHOSPHOR BRONZE
- PLATING : Sn-Pb OVER Cu

33.8	31.05	29	52793-3010	30
32.8	30.05	28	-2910	29
31.8	29.05	27	-2810	28
30.8	28.05	26	-2710	27
29.8	27.05	25	-2610	26
28.8	26.05	24	-2510	25
27.8	25.05	23	-2410	24
26.8	24.05	22	-2310	23
25.8	23.05	21	-2210	22
24.8	22.05	20	-2110	21
23.8	21.05	19	-2010	20
22.8	20.05	18	-1910	19
21.8	19.05	17	-1810	18
20.8	18.05	16	-1710	17
19.8	17.05	15	-1610	16
18.8	16.05	14	-1510	15
17.8	15.05	13	-1410	14
16.8	14.05	12	-1310	13
15.8	13.05	11	-1210	12
14.8	12.05	10	-1110	11
13.8	11.05	9	-1010	10
12.8	10.05	8	-0910	9
11.8	9.05	7	-0810	8
10.8	8.05	6	-0710	7
9.8	7.05	5	-0610	6
8.8	6.05	4	-0510	5
7.8	5.05	3	-0410	4
6.8	4.05	2	52793-0310	3
C	B	A	ENG. NO	極数 CIRCUIT

角度 ANGLE	±3°				
30以上 OVER	+0.3	B	変更 (REVISED)	申 (PROPOSER)	JC80048
10以上 30未満 UNDER	+0.25	A	変更 (REVISED)	申 (PROPOSER)	(J40668)
10未満 UNDER	+0.2	O	新規作成 (NEW)	作成 (PROPOSER)	(J40449)
一般公差 GENERAL TOLERANCES		記号 LTR	変更内容 REVISION RECORD	DR. CHK.	日付 DATE

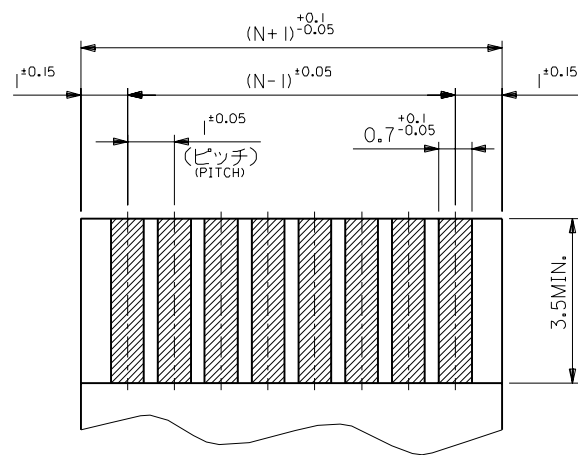
材料 MATERIAL	注記参照 SEE NOTES
仕上げ FINISH	//
適用電線範囲 WIRE RANGE	//
被覆外径 INS. RANGE	//
DRAWN BY 94/6/9 S. AIHARA	CHK'D BY '97/7/15 M. FUKUSHIMA
APP'D BY '97/7/15 M. FUKUSHIMA	尺度 SCALE 10 : 1

molex MOLEX-JAPAN CO.,LTD.
 日本モレックス株式会社

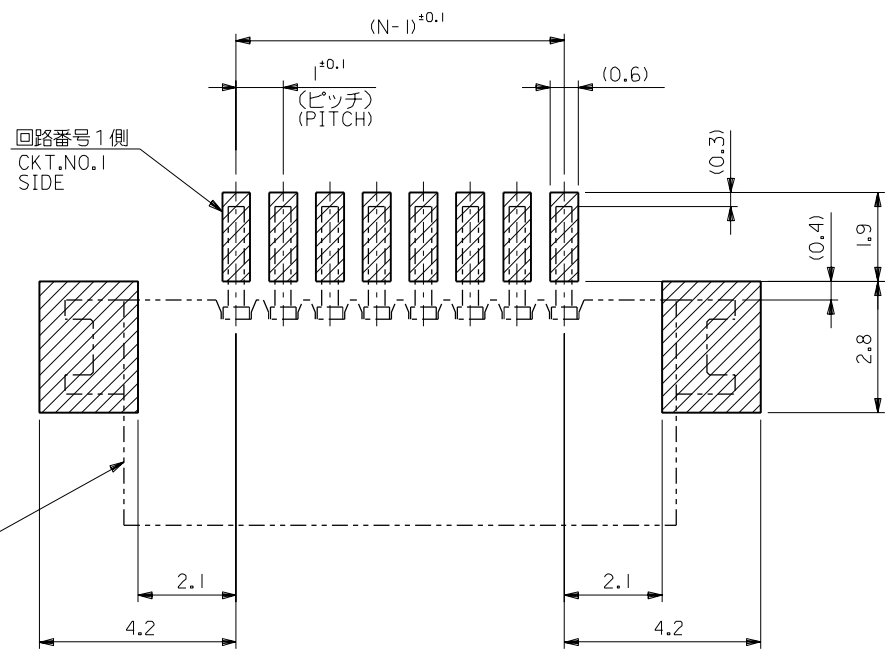
REVISE ONLY ON CAD SYSTEM

TITLE 名称
 I.O FFC CONN.
 NON Z.I.F. SMT. R/A
 (UPPER CONTACT)

DWG. NO. (SHEET 1 OF 2) REV
 SD-52793-***10



(仕上がり厚さ) 0.3 ± 0.03
THICKNESS
適合FPC推奨寸法
APPLICABLE FPC
RECOMMENDED DIMENSION.



参考基板レイアウト (マウント面)
RECOMMENDED P.C.BOARD
PATTERN DIMENSION. (REF.)
(MOUNTING AREA)

角度 ANGLE	±3°						材料 MATERIAL	—//—
30°以上 OVER	+0.3	B	変更 (REVISED)	JC80048	MS	'97/7/15	仕上げ FINISH	—//—
10°以上 30°未満 UNDER	+0.25	A	変更 (REVISED)	(J40668)	MS	'94/8/20	適用電線範囲 WIRE RANGE	—//—
10°未満 UNDER	+0.2	O	新規作成 (PROPOSED)	(J40449)	MS	'94/6/9	被覆外径 INS. RANGE	—//—
一般公差 GENERAL TOLERANCES		記号 LTR	変更内容 REVISION RECORD	DR. CHK.	日付 DATE		DRAWN BY '94/6/9	CHK'D BY '97/7/15
							S. AIHARA	M. FUKUSHIMA
							APP'D BY '97/7/15	尺度 SCALE 10 : 1
							M. FUKUSHIMA	

molex MOLEX-JAPAN CO.,LTD.
日本モレックス株式会社

REVISE ONLY ON CAD SYSTEM

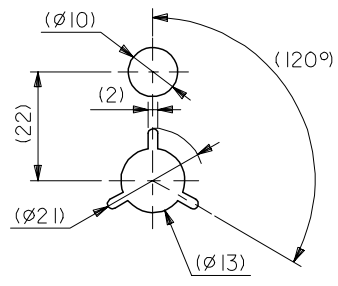
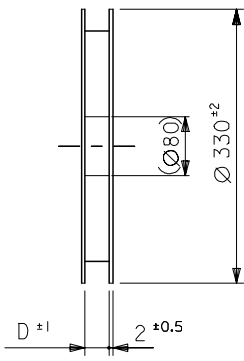
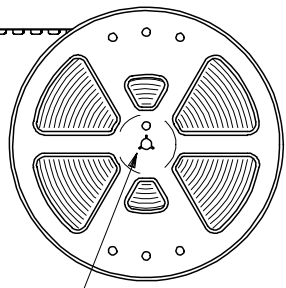
TITLE 名称
I.O FFC CONN.
NON Z.I.F. SMT. R/A
(UPPER CONTACT)

DWG. NO. (SHEET 2 OF 2) REV B
SD-52793-***10

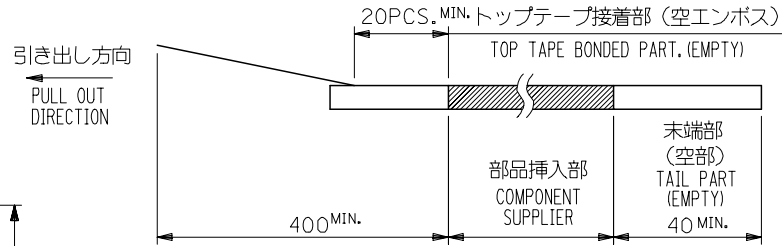
NOTES

- 製品詳細寸法については図面 SD-52793-***10 を参照下さい。
RE DETAILED DIMENSION, SEE SD-52793-***10
- 梱包数量：1000個/リール
NUMBER OF CONNECTORS : 1000PCS/REEL
- リードテープ長さ LEAD TAPE LENGTH

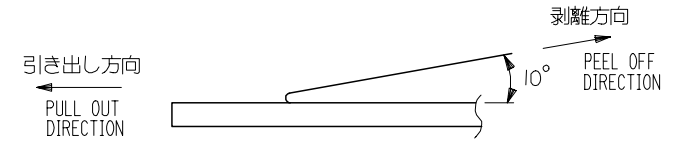
引き出し方向
PULL OUT DIRECTION



DETAIL "F"



- トップテープの剥離強度：0.1N ~ 0.7N(10.2gf ~ 71.4gf)
(剥離方向は下図参照)
尚、本規格値は出荷時に適用。(但し、輸送時に剥離が発生しないこと。)
PEELING OFF FORCE OF TOP TAPE : 0.1N ~ 0.7N(10.2gf ~ 71.4gf)
(PEELING DIRECTION AS SHOWN IN FOLLOWING FIG.)
THIS REQUIREMENT SHOULD BE APPLIED AT SHIPMENT.
PEEL OFF SHOULD NOT BE ALLOWED DURING TRANSPORTATION.



- 材料 (MATERIAL)
キャリアテープ (CARRIER TAPE) : ポリプロピレン (POLYPROPYLENE)
トップテープ (TOPTAPE) : PET, PE, PEF
リール (REEL) : ポリスチレン (PS) <リサイクル材を含む>
POLYSTYRENE (PS) <RECYCLE MATERIAL CONTAINED>

52793-***90	MODEL NO.
DESIGN UNITS	THIRD ANGLE PROJECTION
METRIC	

REVISED EC NO: J2005-3580 DRAWN: NABEI 2005/06/03 CHKD: KTOYODA 2005/06/06 APPR: NUKITA 2005/06/09	GENERAL TOLERANCES (UNLESS SPECIFIED)		DIMENSION STYLE MM ONLY		SCALE ---	TITLE	
	10 UNDER	±0.2	DRAWN BY T. YASUI	DATE '96/05/29	1.0 FFC CONN ASSY NON ZIF SMT RA UPR CONTACT EMBSTP PKG MOLEX INCORPORATED		
	10 OVER 30 UNDER	±0.25	CHECKED BY S. KUNISHI	DATE '00/12/06			
	30 OVER	±0.3	APPROVED BY M. FUKUSHIMA	DATE '00/12/06			
	ANGULAR ±3 °		MATERIAL NO. SEE CHART		DOCUMENT NO. SD-52793-013	SHEET NO. 1 OF 5	
DRAFT WHERE APPLICABLE MUST REMAIN WITHIN DIMENSIONS		THIS DRAWING CONTAINS INFORMATION THAT IS PROPRIETARY TO MOLEX INCORPORATED AND SHOULD NOT BE USED WITHOUT WRITTEN PERMISSION					

10 9 8 7 6 5 4 3 2 1

F

E

D

C

B

A

F

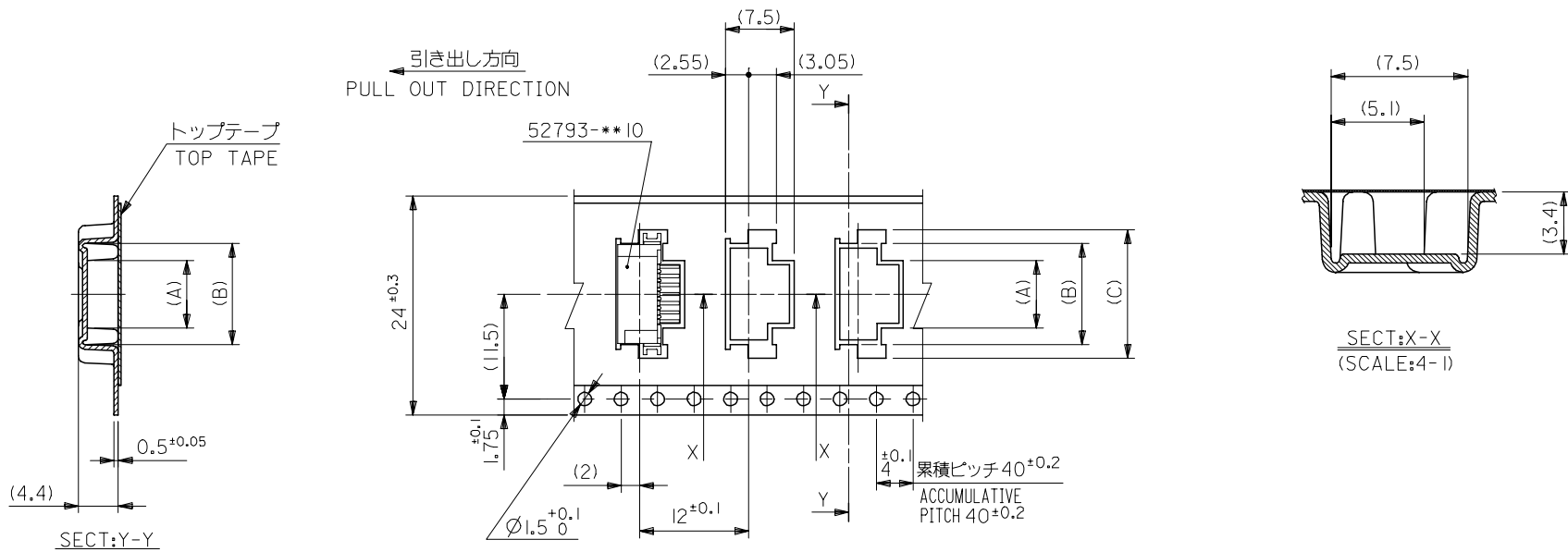
E

D

C

B

A



24mm幅キャリアテープ
24mm WIDTH CARRIER TAPE

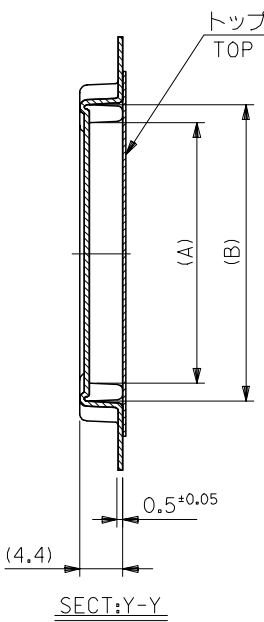
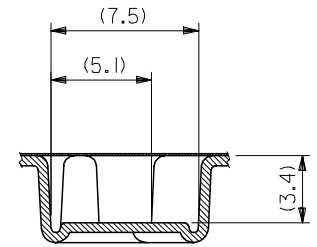
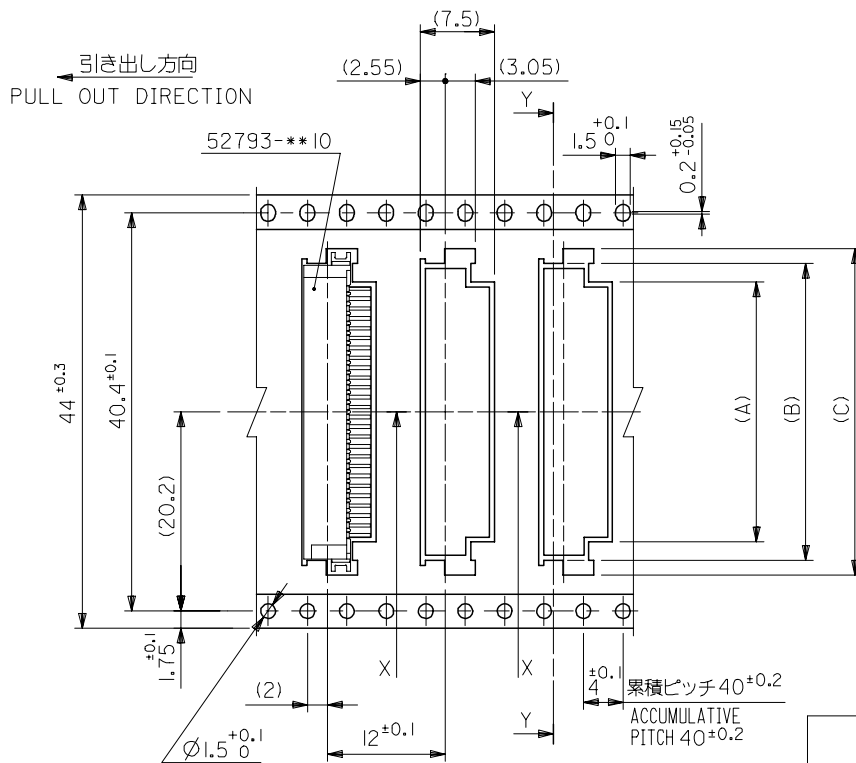
24	25.5	18.1	15.1	11.4	52793-1190	11	
		17.1	14.1	10.4	52793-1090	10	
		16.1	13.1	9.4	52793-0990	9	
		15.1	12.1	8.4	52793-0890	8	
		14.1	11.1	7.4	52793-0790	7	
		13.1	10.1	6.4	52793-0690	6	
		12.1	9.1	5.4	52793-0590	5	
11.1	8.1	4.4	52793-0490	4			
52793-***90	キャリアテープ幅 CARRIER TAPE WIDTH	D	(C)	(B)	(A)	MATERIAL NO.	種数 CKT.

REVISED EC NO: J2005-3580 DRAWN: NABEI 2005/06/03 CHKD: KTOYODA 2005/06/06 APPR: NUKITA 2005/06/09	GENERAL TOLERANCES (UNLESS SPECIFIED)		DIMENSION STYLE MM ONLY		SCALE ---	DESIGN UNITS METRIC	THIRD ANGLE PROJECTION	
	10 UNDER	± ---	DRAWN BY T. YASUI	DATE '96/05/29	TITLE 1.0 FFC CONN ASSY NON ZIF SMT RA UPR CONTACT EMBSTP PKG			
	10 OVER 30 UNDER	± ---	CHECKED BY S. KUNISHI	DATE '00/12/06	MOLEX INCORPORATED			
	30 OVER	± ---	APPROVED BY M. FUKUSHIMA	DATE '00/12/06	DOCUMENT NO. SD-52793-013		SHEET NO. 2 OF 5	
	ANGULAR	± --- °	MATERIAL NO. SEE CHART					
DRAFT WHERE APPLICABLE MUST REMAIN WITHIN DIMENSIONS		THIS DRAWING CONTAINS INFORMATION THAT IS PROPRIETARY TO MOLEX INCORPORATED AND SHOULD NOT BE USED WITHOUT WRITTEN PERMISSION						

10 9 8 7 6 5 4 3 2 1

F
E
D
C
B
A

F
E
D
C
B
A



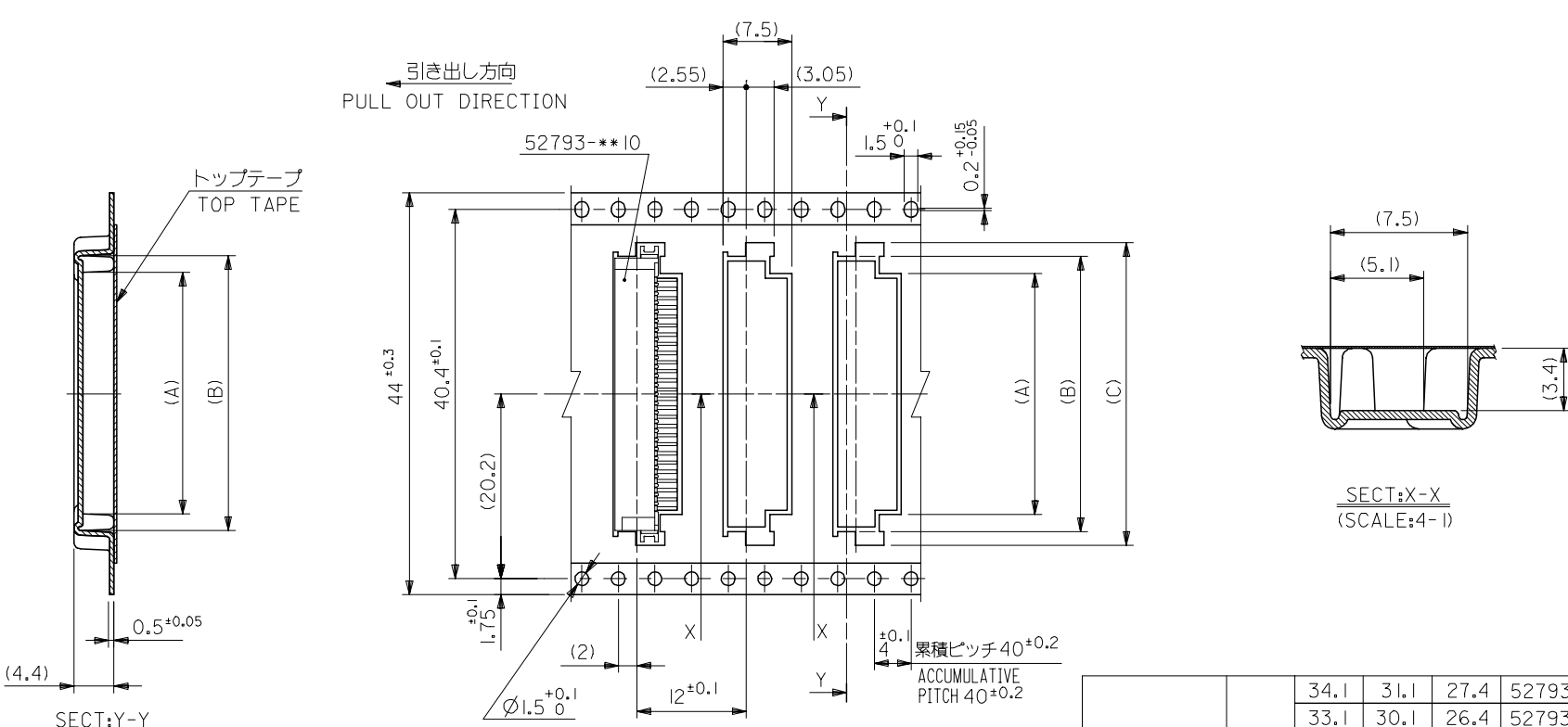
44mm幅キャリアテープ
44mm WIDTH CARRIER TAPE

44	45.5	34.1	31.1	27.4	52793-2790	27
		33.1	30.1	26.4	52793-2690	26
		32.1	29.1	25.4	52793-2590	25
		31.1	28.1	24.4	52793-2490	24
		30.1	27.1	23.4	52793-2390	23
		29.1	26.1	22.4	52793-2290	22
		27.1	24.1	20.4	52793-2090	20
		26.1	23.1	19.4	52793-1990	19
		25.1	22.1	18.4	52793-1890	18
		24.1	21.1	17.4	52793-1790	17

52793-***90	キャリアテープ幅	D	(C)	(B)	(A)	MATERIAL NO.	種数
MODEL NO.	CARRIER TAPE WIDTH						CKT.

REVISED EC NO: J2005-3580 DRAWN: NABEI 2005/06/03 CHKD: KTOYODA 2005/06/06 APPR: NUKITA 2005/06/09	GENERAL TOLERANCES (UNLESS SPECIFIED)		DIMENSION STYLE MM ONLY		SCALE ---	DESIGN UNITS METRIC	THIRD ANGLE PROJECTION
	10 UNDER	± ---	DRAWN BY T. YASUI	DATE '96/05/29	TITLE 1.0 FFC CONN ASSY NON ZIF SMT RA UPR CONTACT EMBSTP PKG		
	10 OVER 30 UNDER	± ---	CHECKED BY S. KUNISHI	DATE '00/12/06	MOLEX INCORPORATED		
	30 OVER	± ---	APPROVED BY M. FUKUSHIMA	DATE '00/12/06	DOCUMENT NO. SD-52793-013	SHEET NO. 4 OF 5	
	ANGULAR	± --- °	MATERIAL NO. SEE CHART				
DRAFT WHERE APPLICABLE MUST REMAIN WITHIN DIMENSIONS		THIS DRAWING CONTAINS INFORMATION THAT IS PROPRIETARY TO MOLEX INCORPORATED AND SHOULD NOT BE USED WITHOUT WRITTEN PERMISSION					

10 9 8 7 6 5 4 3 2 1



44mm幅キャリアテープ
44mm WIDTH CARRIER TAPE

SECT:X-X
(SCALE:4-1)

52793-**-90
MODEL NO.

44	45.5	34.1	31.1	27.4	52793-2790	27
		33.1	30.1	26.4	52793-2690	26
		32.1	29.1	25.4	52793-2590	25
		31.1	28.1	24.4	52793-2490	24
		30.1	27.1	23.4	52793-2390	23
		29.1	26.1	22.4	52793-2290	22
		27.1	24.1	20.4	52793-2090	20
		26.1	23.1	19.4	52793-1990	19
		25.1	22.1	18.4	52793-1890	18
		24.1	21.1	17.4	52793-1790	17

キャリアテープ幅
CARRIER TAPE WIDTH

REVISED EC NO: J2005-3580 DRAWN: NABEI 2005/06/03 CHKD: KTOYODA 2005/06/06 APPR: NUKITA 2005/06/09	GENERAL TOLERANCES (UNLESS SPECIFIED)		DIMENSION STYLE MM ONLY		SCALE ---	DESIGN UNITS METRIC	THIRD ANGLE PROJECTION
	10 UNDER	± ---	DRAWN BY T. YASUI	DATE '96/05/29	TITLE 1.0 FFC CONN ASSY NON ZIF SMT RA UPR CONTACT EMBSTP PKG		
	10 OVER 30 UNDER	± ---	CHECKED BY S. KUNISHI	DATE '00/12/06	MOLEX INCORPORATED		
	30 OVER	± ---	APPROVED BY M. FUKUSHIMA	DATE '00/12/06	DOCUMENT NO. SD-52793-013	SHEET NO. 4 OF 5	
	ANGULAR	± --- °	MATERIAL NO. SEE CHART				

DRAFT WHERE APPLICABLE
MUST REMAIN
WITHIN DIMENSIONS

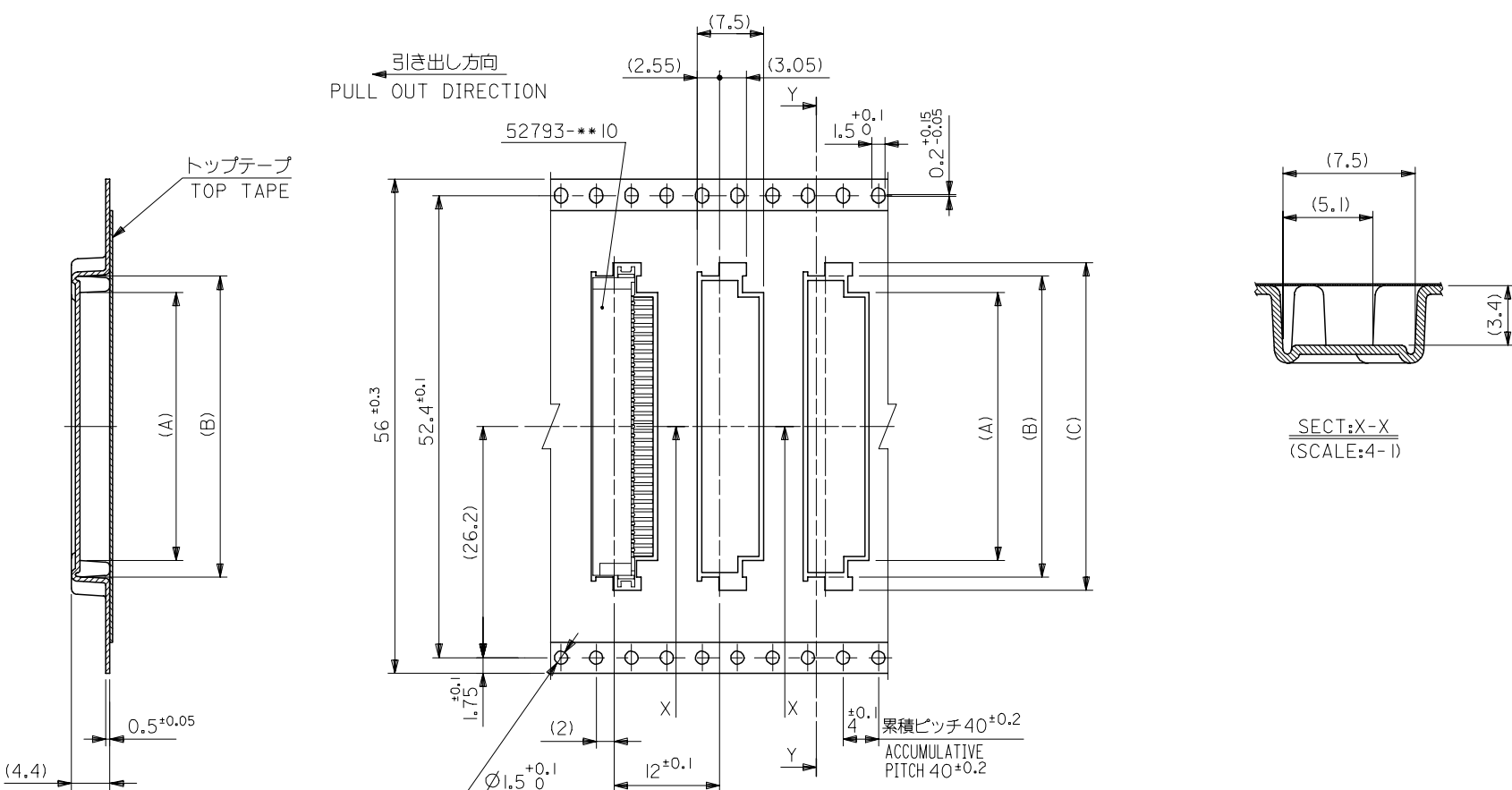
SIZE
A3

THIS DRAWING CONTAINS INFORMATION THAT IS PROPRIETARY TO MOLEX
INCORPORATED AND SHOULD NOT BE USED WITHOUT WRITTEN PERMISSION

10 9 8 7 6 5 4 3 2 1

F
E
D
C
B
A

F
E
D
C
B
A



56mm幅キャリアテープ
56mm WIDTH CARRIER TAPE

52793-***90 MODEL NO.	キャリアテープ幅 CARRIER TAPE WIDTH	56	57.5	37.1	34.1	30.4	52793-3090	30
				36.1	33.1	29.4	52793-2990	29
				35.1	32.1	28.4	52793-2890	28
	D	(C)	(B)	(A)	MATERIAL NO.	種数 CKT.		

REVISED EC NO: J2005-3580 DRAWN: NABEI 2005/06/03 CHKD: KTOYODA 2005/06/06 APPR: NUKITA 2005/06/09	GENERAL TOLERANCES (UNLESS SPECIFIED)		DIMENSION STYLE MM ONLY		SCALE ---	DESIGN UNITS METRIC	THIRD ANGLE PROJECTION		
	10 UNDER	± ---	DRAWN BY T. YASUI		DATE '96/05/29		TITLE 1.0 FFC CONN ASSY NON ZIF SMT RA UPR CONTACT EMBSTP PKG MOLEX INCORPORATED		
	10 OVER 30 UNDER	± ---	CHECKED BY S. KUNISHI		DATE '00/12/06				
	30 OVER	± ---	APPROVED BY M. FUKUSHIMA		DATE '00/12/06				
	ANGULAR ± --- °		MATERIAL NO.		DOCUMENT NO.		SHEET NO.		
DRAFT WHERE APPLICABLE MUST REMAIN WITHIN DIMENSIONS		SEE CHART		SD-52793-013		5 OF 5			
SIZE A3 THIS DRAWING CONTAINS INFORMATION THAT IS PROPRIETARY TO MOLEX INCORPORATED AND SHOULD NOT BE USED WITHOUT WRITTEN PERMISSION									