

PAGE 1/2

ISSUE 22-03-22

SERIE : SPnT

PART NUMBER : R574812680

## RF CHARACTERISTICS

Number of ways : 6  
Frequency range : 0 - 40 GHz  
Impedance : 50 Ohms

Frequency (GHz)	DC - 6	6 - 12.4	12.4 - 18	18 - 26.5	26.5 - 40
VSWR max	1,30	1,40	1,50	1,70	2,20
Insertion loss max	0.20 dB	0.40 dB	0.50 dB	0.70 dB	1.10 dB
Isolation min	70 dB	60 dB	60 dB	55 dB	50 dB
Average power (*)	40 W	30 W	25 W	15 W	5 W

TERMINATION IMPEDANCE : 50 Ohms  
TERM. AVG. POWER AT 25° C : 1 W per termination / 3 W total power

## ELECTRICAL CHARACTERISTICS

Actuator : NORMALLY OPEN  
Nominal current \*\* : 250 mA  
Actuator voltage (Vcc) : 12V (10.2 to 13V)  
Terminals : solder pins (250°C max. / 30 sec.)  
Indicator rating : 1 W / 30 V / 100 mA  
BCD inputs (E) - High level : 3.5 to 5.5 V / 800µA at 5.5 V  
- Low level : 0 to 1.5 V / 20µA at 0.8 V

## MECHANICAL CHARACTERISTICS

Connectors : SMA 2.9 female per MIL-C 39012  
Life : 2 million cycles per position  
Switching Time\*\*\* : < 15 ms  
Construction : Splashproof  
Weight : < 250 g

## ENVIRONMENTAL CHARACTERISTICS

Operating temperature range : -40°C to +85°C  
Storage temperature range : -55°C to +85°C

(\* Average power at 25°C per RF Path)

(\*\* At 25° C ±10%)

(\*\*\* Nominal voltage ; 25° C)



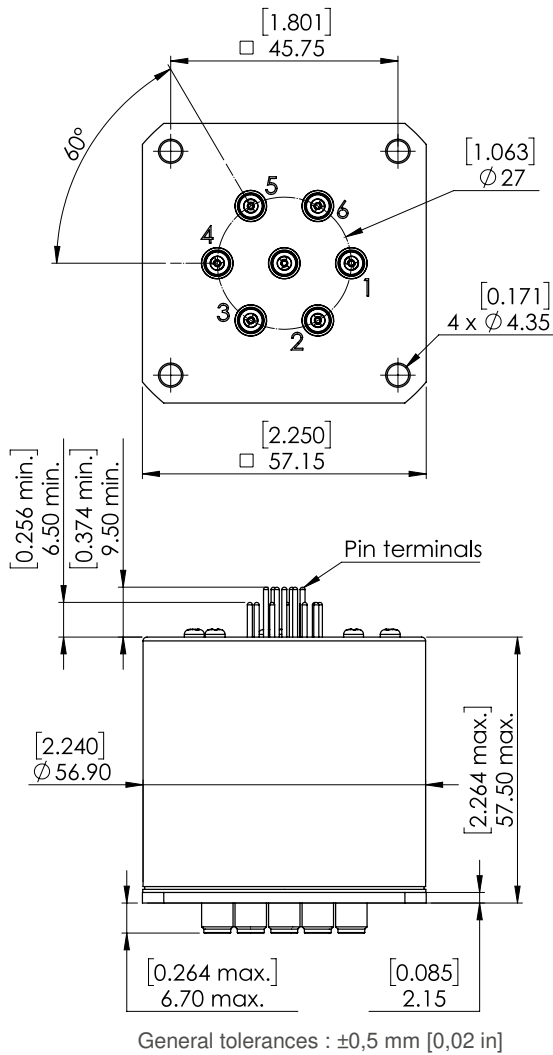
PAGE 2/2

ISSUE 22-03-22

SERIE : SPnT

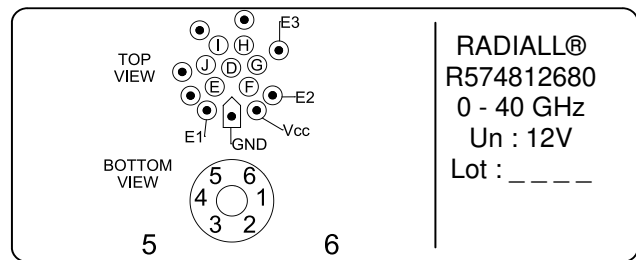
PART NUMBER : R574812680

**DRAWING**



BCD TRUTH TABLE				
E3	E2	E1	RF continuity	Ind.
0	0	0	Last Position	--
1	1	1	All ports open	--
0	0	1	IN ↔ 5	D.E
0	1	0	IN ↔ 6	D.F
0	1	1	IN ↔ 1	D.G
1	0	0	IN ↔ 2	D.H
1	0	1	IN ↔ 3	D.I
1	1	0	IN ↔ 4	D.J

**LABEL**



**SCHEMATIC DIAGRAM**

