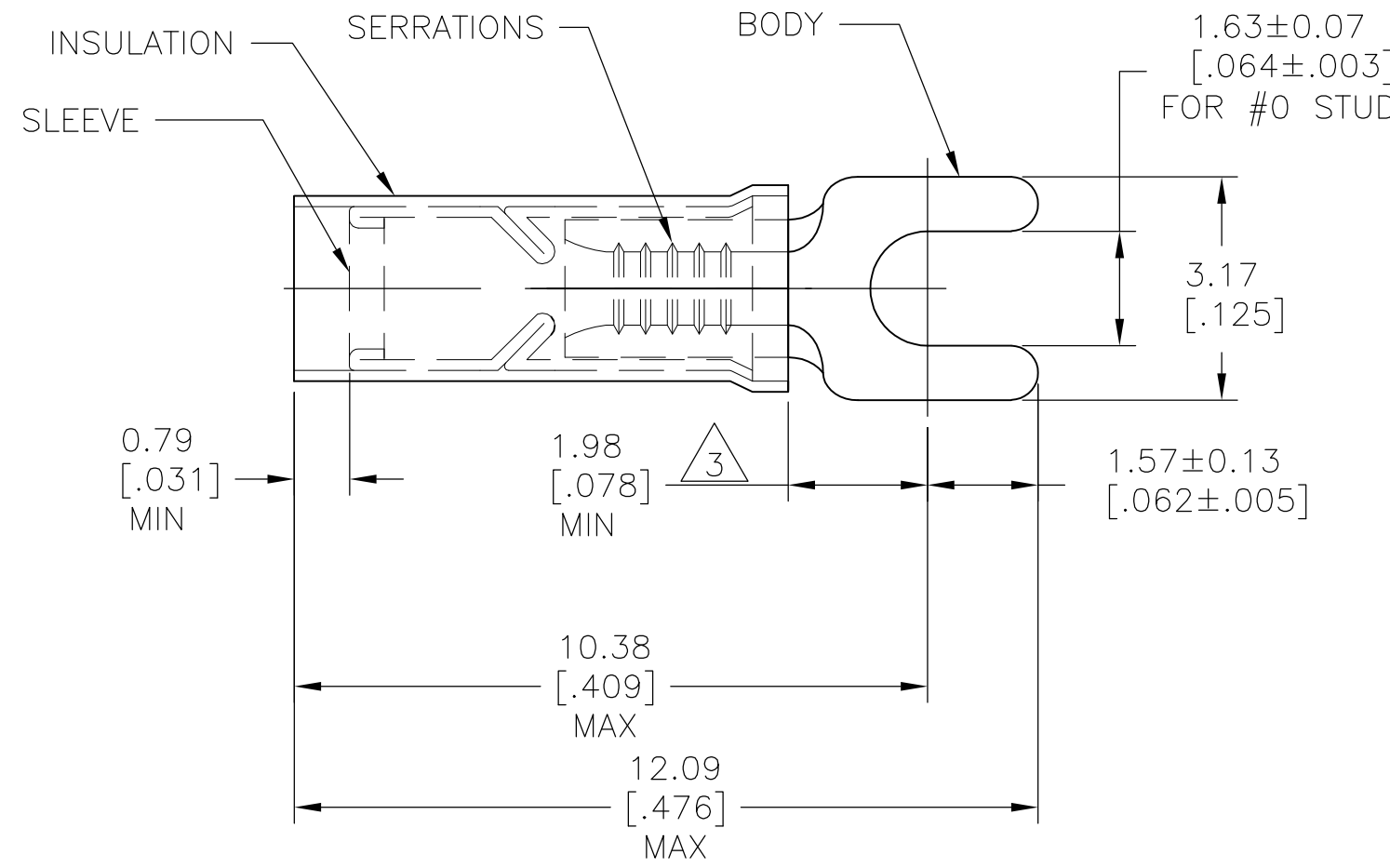


THIS DRAWING IS UNPUBLISHED. RELEASED FOR PUBLICATION
 © COPYRIGHT - By - ALL RIGHTS RESERVED.

LOC	DIST	REVISIONS					
		P	LTR	DESCRIPTION	DATE	DWN	APVD
-	-		H1	NEW DRAWING PER ECO-11-019045	03APR12	KH	DR

AMP
WIRE RANGE

26-22 AWG
STRANDED



- 1 FOR WIRE INSULATION DIA: 1.27-2.08[.050-.082]
- 2 TONGUE MATERIAL THK: 0.46±0.05[.018±.002]
- 3 DIMENSION APPLIES FROM EDGE OF METAL WIRE BARREL TO CENTER OF STUD.
- 4 MATERIAL: BODY & SLEEVE: COPPER PER ASTM B152. INSULATION : NYLON
- 5 FINISH: BODY & SLEEVE: TIN PLATE PER ASTM B545. INSULATION: COLOR-YELLOW.

1000	LOOSE PIECE	322001
QTY	PACKAGE TYPE	PART NO

AMP INCORPORATED
CUSTOMER SERVICE SYSTEMS

FOR ADDITIONAL PRODUCT INFORMATION OR COPIES OF DRAWINGS AND TECHNICAL DOCUMENTS	PRODUCT INFORMATION CENTER 1-800-522-6752	RECOMMENDED OPERATING TEMPERATURE: -
FOR APPLICATION TOOLING INFORMATION	TOOLING ASSISTANCE CENTER 1-800-722-1111	VOLTAGE RATING: -
FOR ORDER ENTRY	1-800-526-5142	WIRE CROSS SECTIONAL AREA RANGE: 0.10-0.41mm ² [202-810] CIR.MIL STRANDED

THIS DRAWING IS A CONTROLLED DOCUMENT.

DIMENSIONS: mm [INCHES]	TOLERANCES UNLESS OTHERWISE SPECIFIED:
	0 PLC ± -
	1 PLC ± -
	2 PLC ± 0.20[.008]
	3 PLC ± -
	4 PLC ± -
	ANGLES ± 5°
MATERIAL	FINISH
4	5

DWN KIRAN HOLAL 03APR12	STE TE Connectivity	NAME		
CHK ROHDE DANIEL 03APR12		WIRE TERMINAL P.I.D.G™ SPADE WIRE SIZE 26-22		
APVD ROHDE DANIEL 03APR12		SIZE	CAGE CODE	DRAWING NO
PRODUCT SPEC		A3	00779	C-322001
APPLICATION SPEC	RESTRICTED TO	-		
WEIGHT	CUSTOMER DRAWING			
	SCALE	SHEET	REV	
	6:1	1 OF 1	H1	