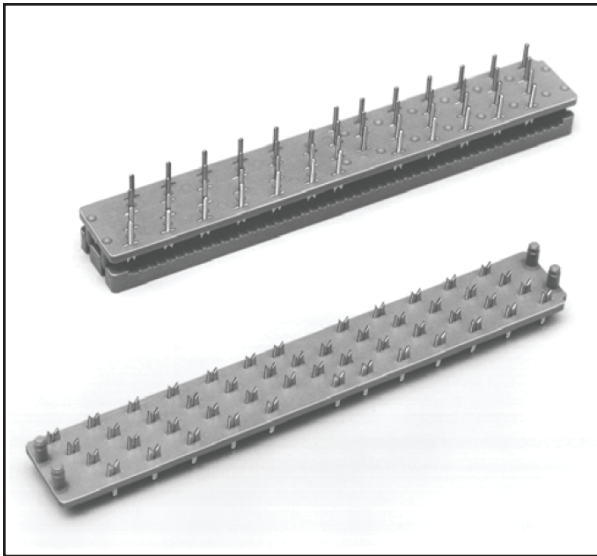


# 3M™ PCB Connector

.100 Four Row

3400 Series



- Low profile
- Standard staggered grid
- Variety of pin lengths and plating options available
- See the Regulatory Information Appendix (RIA) in the “RoHS compliance” section of [www.3Mconnectors.com](http://www.3Mconnectors.com) for compliance information (RIA E1 & C1 apply)

Date Modified: July 20, 2012

TS-0005-B  
Sheet 1 of 4

---

## Physical

### Insulation:

Material: Glass Filled Polyester (PBT)

Flammability: UL 94V-0

Color: Gray

### Contact:

Material: Copper Alloy

### Plating:

Underplating: 100  $\mu$  [ 2.54  $\mu$ m ] Nickel

U-Slot and Solder Tails: 10  $\mu$  [ 0.25  $\mu$ m] Gold or 200  $\mu$  [ 5.08  $\mu$ m] Tin Lead

Wire Accommodation: 26 and 28 AWG Solid and Stranded

**Marking:** 3M Logo and Part Identification Number

---

## Electrical

**Current Rating:** 1 A

**Insulation Resistance:**  $>1 \times 10^9 \Omega$  at 500 V<sub>DC</sub>

**Withstanding Voltage:** 1,000 V<sub>RMS</sub> at Sea Level

---

## Environmental

**Temperature Rating:** -55°C to +105°C

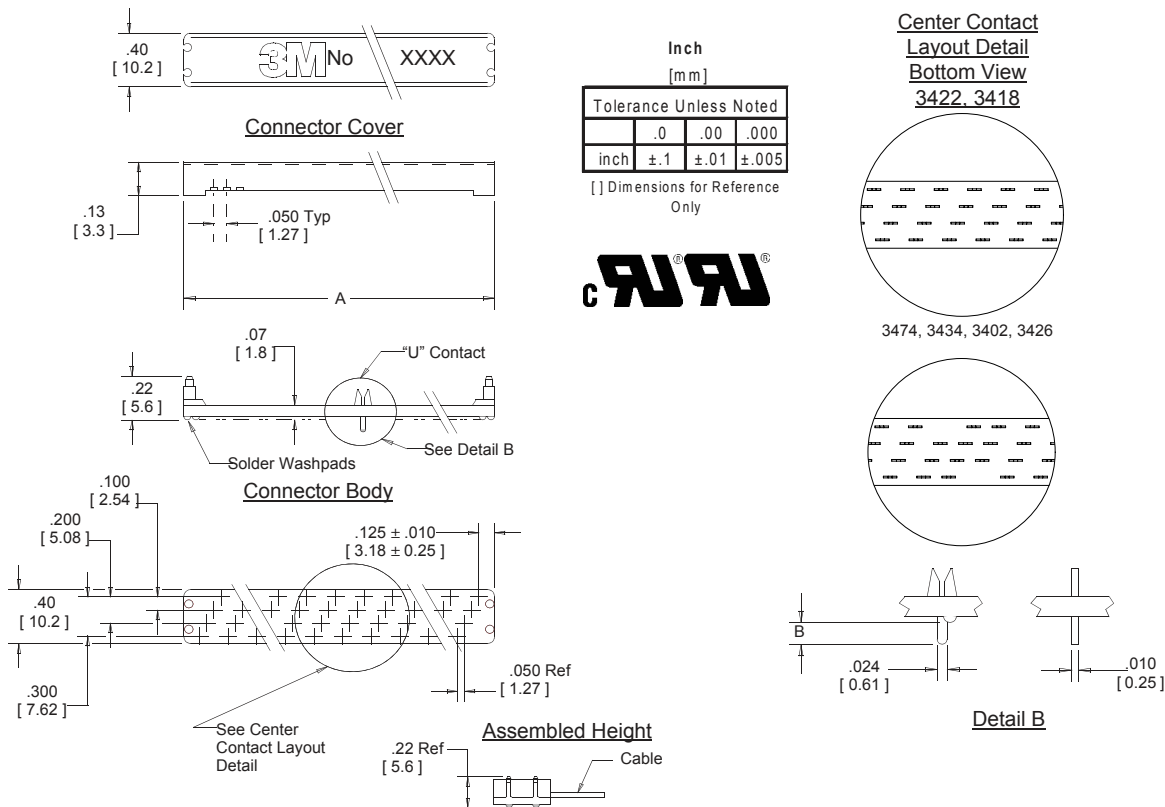
**Process Rating:** Maximum molded insulator temperature 191°C. Maintain terminated cable temperature below 160°C. (Solder Wave Process Only)

UL File No.: E68080

# 3M™ PCB Connector

.100 Four Row

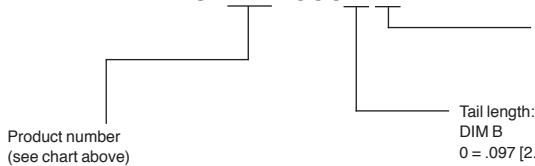
3400 Series



Contact Qty	Product Number	Dimension "A"	Locator Plate
10	3474	.70 [17.8]	3443-15
20	3422	1.20 [30.5]	3443-16
26	3434	1.50 [38.1]	3443-15
34	3402	1.90 [48.3]	3443-15
40	3418	2.20 [55.9]	3443-16
50	3426	2.70 [68.6]	3443-15

## Ordering Information

**34XX- 000X X**



Plating Option:  
blank = gold plated (App. E1 & C1 Apply)  
T = tin-lead plated (App. E3 & C2 Apply)

**Notes:**

1. Assembly tools: 3M™ Press (or equivalent) 3640, 3M™ Platen 3442-9, see above for 3M™ Locator Plate.

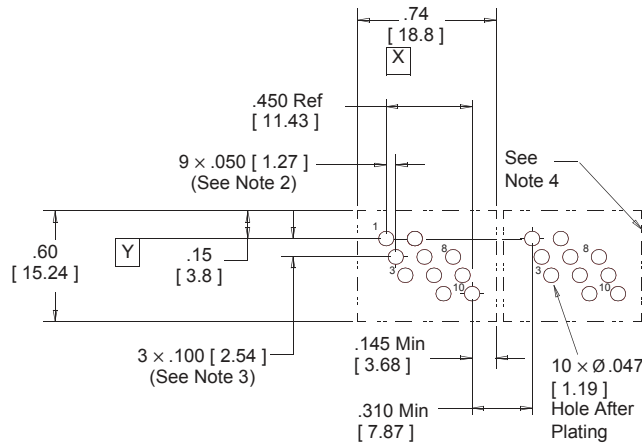
TS-0005-B  
Sheet 2 of 4

# 3M™ PCB Connector

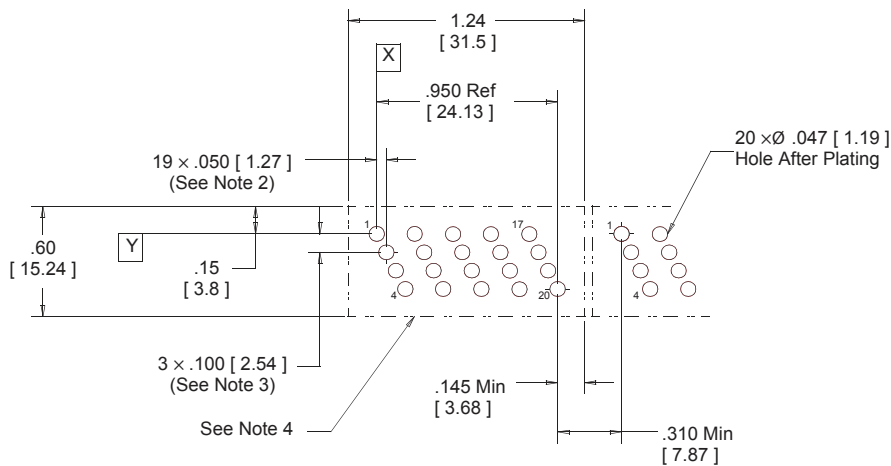
.100 Four Row

3400 Series

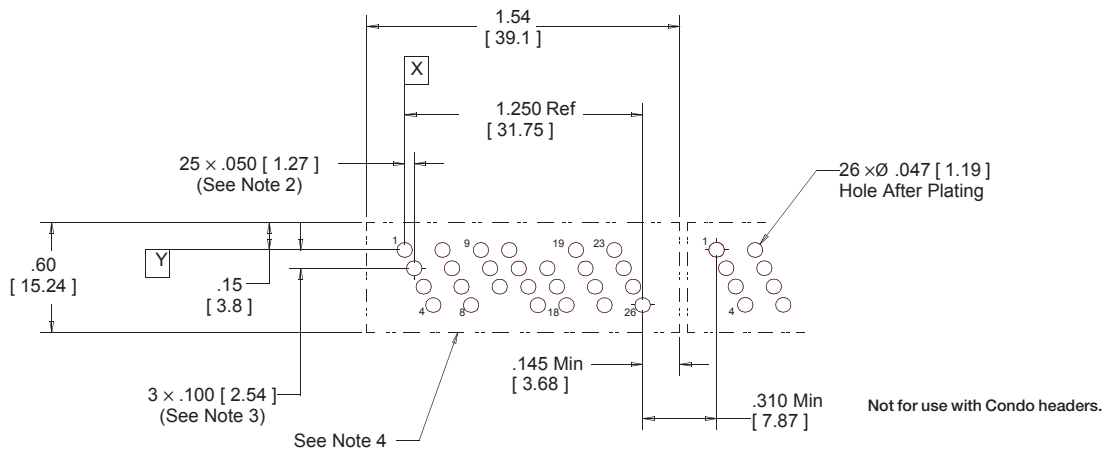
**3M Part Number 3474 (10 Pin)**



**3M Part Number 3422 (20 Pin)**



**3M Part Number 3434 (26 Pin)**

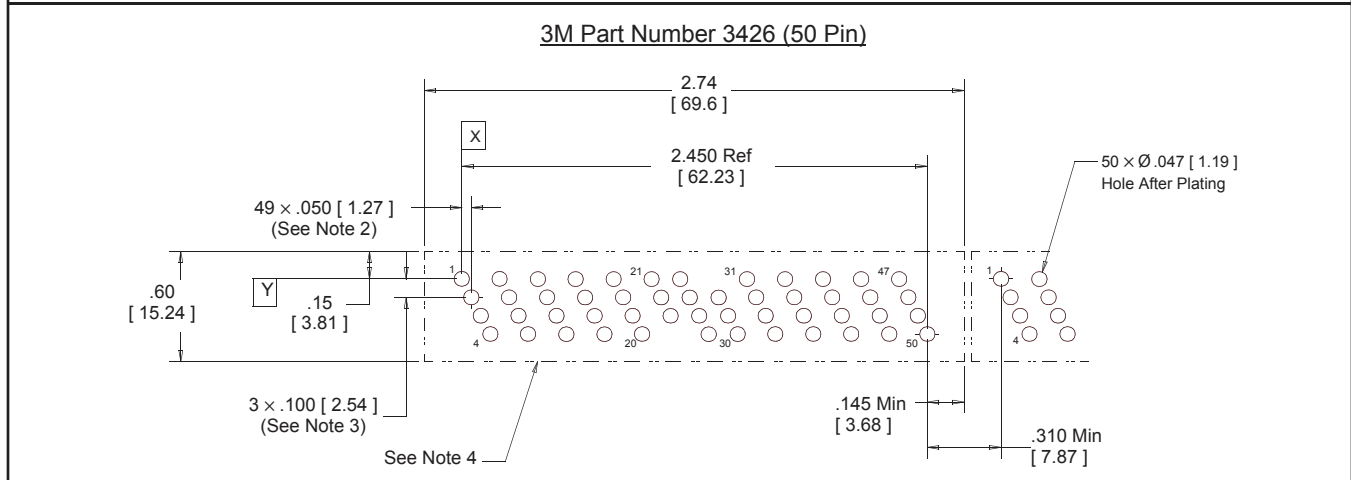
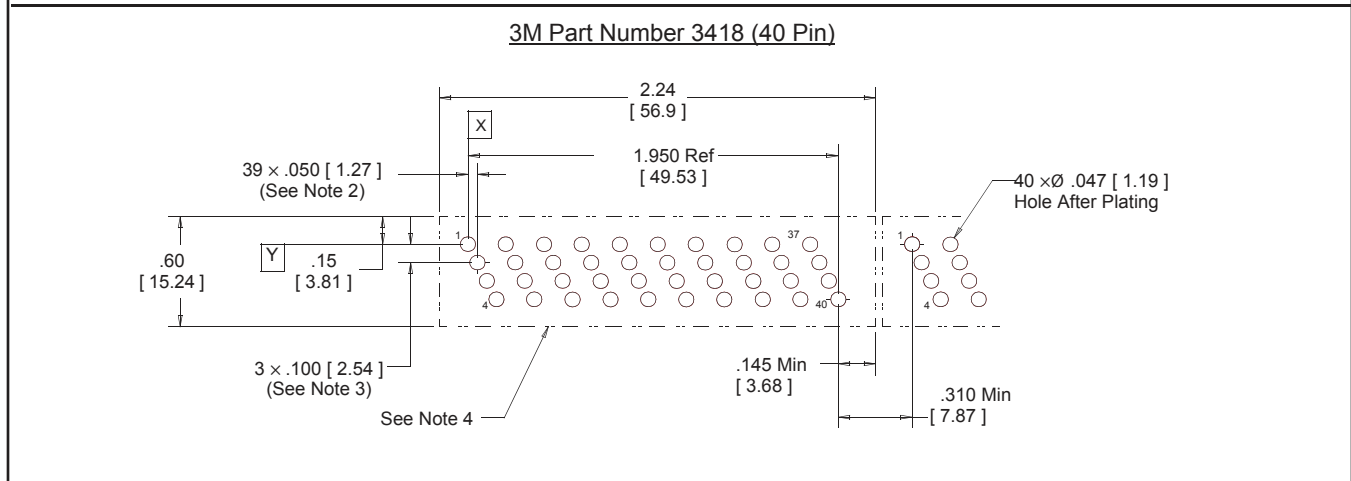
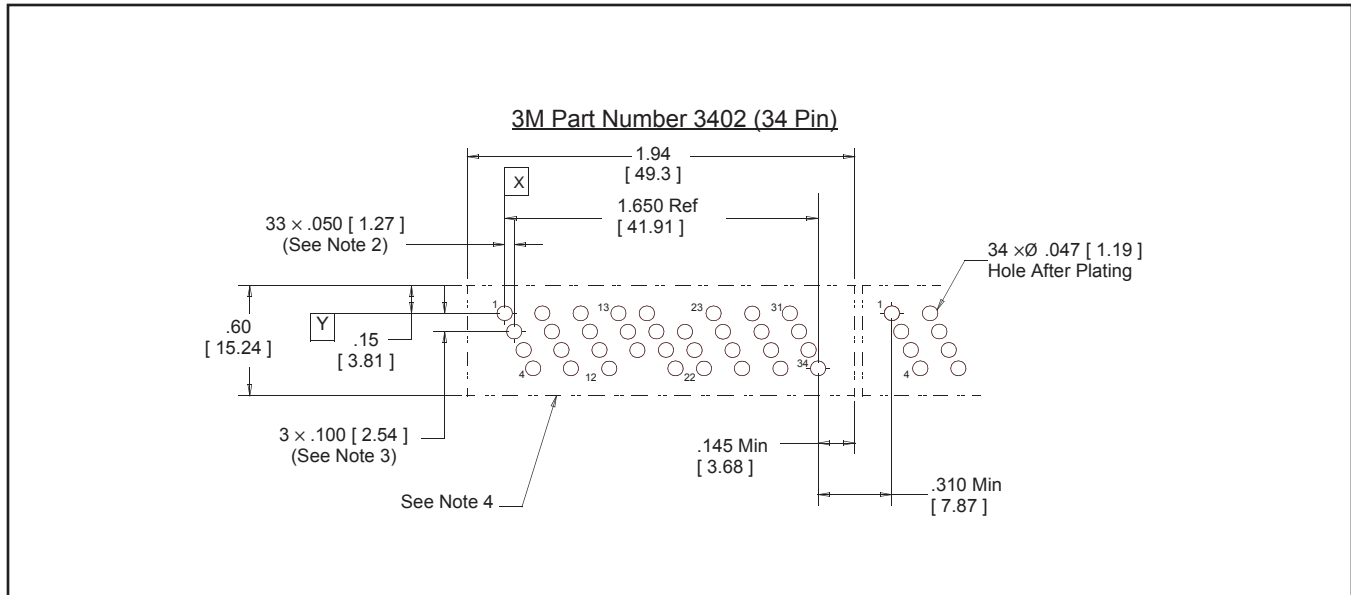


TS-0005-B  
Sheet 3 of 4

# 3M™ PCB Connector

.100 Four Row

3400 Series



**Notes:**

1. Hole pattern is shown for the mounting side of the P.C. Board.
2. Each location may vary  $\pm .002$  [0.05] from Datum line X.
3. Each location may vary  $\pm .002$  [0.05] from Datum line Y.
4. Min P.C. Board area required per connector.

TS-0005-B  
Sheet 4 of 4

**Important Notice**

All statements, technical information, and recommendations related to 3M's products are based on information believed to be reliable, but the accuracy or completeness is not guaranteed. Before using this product, you must evaluate it and determine if it is suitable for your intended application. You assume all risks and liability associated with such use. Any statements related to the product which are not contained in 3M's current publications, or any contrary statements contained on your purchase order shall have no force or effect unless expressly agreed upon, in writing, by an authorized officer of 3M.

**Warranty; Limited Remedy; Limited Liability.**

This product will be free from defects in material and manufacture for a period of one (1) year from the time of purchase. **3M MAKES NO OTHER WARRANTIES INCLUDING, BUT NOT LIMITED TO, ANY IMPLIED WARRANTY OF MERCHANTABILITY OR FITNESS FOR A PARTICULAR PURPOSE.** If this product is defective within the warranty period stated above, your exclusive remedy shall be, at 3M's option, to replace or repair the 3M product or refund the purchase price of the 3M product. **Except where prohibited by law, 3M will not be liable for any indirect, special, incidental or consequential loss or damage arising from this 3M product, regardless of the legal theory asserted.**

**3M Electronics Solutions Division**

6801 River Place Blvd.  
Austin, TX 78726-9000  
U.S.A.  
1-800-225-5373  
[www.3Mconnectors.com](http://www.3Mconnectors.com)

Please recycle. Printed in USA.  
© 3M 2012. All rights reserved.  
RIA-2217B-E

3M is a trademark of 3M Company.