



REED SWITCH DEVELOPMENTS CORP.
 2524 Norwood Court
 Racine, WI 53403
 Ph: (262)883-9060
sales@reedswitchdevelopments.com

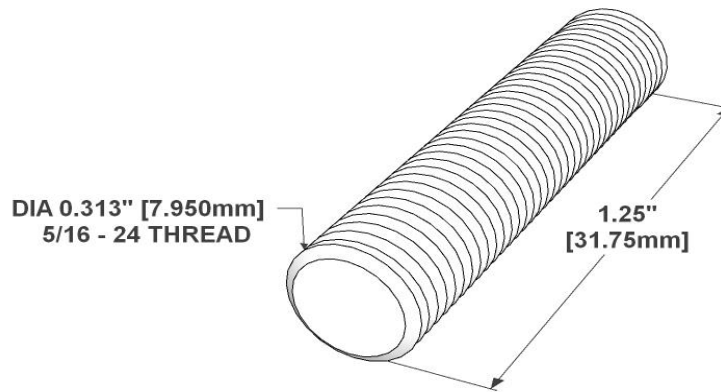
SPECIFICATION SHEET

2450-4907-000

Alternate Part Number:
AM2450-4907-00-01

Active / Equivalent Part Numbers:
 2450-4907-000 - Magnetic Actuator Only
 AM2450-4907-00-01 - Magnetic Actuator Only

2450 Series Magnetic Reed Switch Actuator



All measurements are in inches [millimeters]

Specifications	Description	UM
Shape	Cylindrical Threaded (5/16-24)	
Length/Thickness	1.250"/38.10mm	in/mm
Diameter	0.313"/7.95mm	in/mm
Housing Material	Aluminum	
Magnetic Orientation	Through Length	
Max Operating Temperature	210/100	°F/°C
Curie Temperature	590/310	°F/°C
BR max	12.2	kGauss
BH max	35	MGOe
Coercive Force Hc	11.5	kOe
Intrinsic Coercive Force Hci	18	kOe

Assembly Certifications

RoHS / REACH Compliant	Y
Conflict Free Material	Y

REV DATE: 10/06/2021

DISCLAIMER NOTICE: INFORMATION FURNISHED IS PROPRIETARY, AND IS BELIEVED TO BE ACCURATE AND RELIABLE, AND IS SUBJECT TO CHANGE WITHOUT NOTICE. IT SHALL BE THE RESPONSIBILITY OF THE BUYER TO ENSURE THAT THE GOODS ARE SUFFICIENT AND SUITABLE FOR THE PURPOSE OR PURPOSES INTENDED (WHETHER BY THE BUYER OR BY ANY THIRD PARTY) AND THAT THEIR CAPACITY AND PERFORMANCE IS NOT ADVERSELY AFFECTED BY ANY ITEMS USED IN THEIR INSTALLATION (WHERE RELEVANT) AND/OR IN CONNECTION WITH THEM.

WBE Certified - State of Wisconsin - MFR CAGE CODE: 32604

www.reedswitchdevelopments.com