

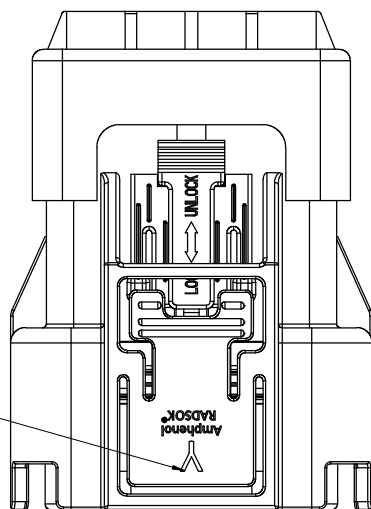
GENERAL TOLERANCE

DIM. RANGE	0.5 - 3	>3-6	>6-30	>30-120	>120-400
TOLERANCE	±0.1	±0.1	±0.2	±0.3	±0.5

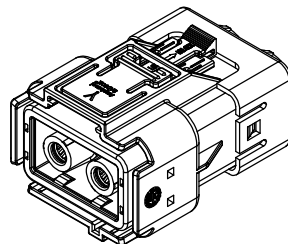
CUSTOMER DRAWING

REVISION

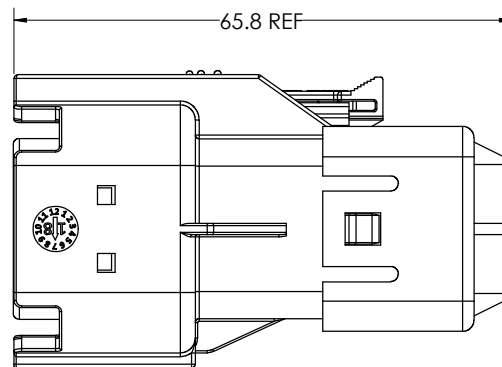
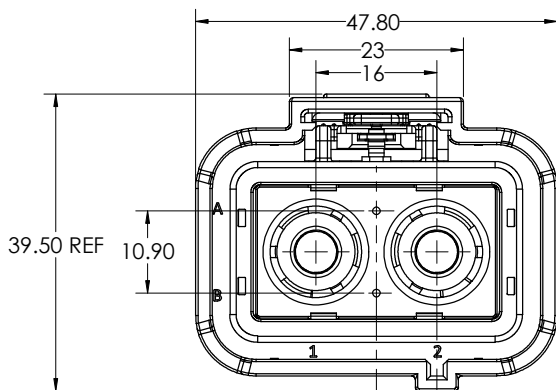
REV.	DESCRIPTION	DATE
C	MODIFY DESIGN	2016-11-29
D	UPDATE RoHS LABEL	2017-03-11
E	UPDATE CODE NUMBER AND MFG NUMBER	2018-06-28
F	UPDATE CONNECTOR LENGTH	2019-01-16
G	UPDATE CODE NUMBER	2019-02-21



KEY MARKING
A,Y,Z,U,W



SPECIFICATION	
CONTACT SIZE	5.7 MM (RADSOK CONTACT) / #20 (HVIL CONTACT)
CONTACT TEST CURRENT	120 Amps Max / 5 Amps
OPERATING VOLTAGE	600V AC
OPERATING TEMPERATURE	-40 °C TO 125 °C
DIELECTRIC WITHSTANDING VOLTAGE	2500V AC
NUMBER OF CONTACT	2&2
DURABILITY	100 (MIN)
WATER PROOF	IP67 (MATED)
FINGER PROOF	YES
HVIL	OPTION
SALT SPRAY	96 H



RECOMMENDED CABLE OD RANGE:
25MM² CABLE SIZE 13.9±0.3MM
16MM² CABLE SIZE 11.2±0.3MM

KEYWAY DIMENSION A
SEE TABLE



3. FOR ORDERING INFORMATION, PLEASE SEE CODE NUMBER REFERENCE. TO COMPLETE IT, ADD APPLICABLE CHARACTERS FOR DESIRED REQUIREMENT. SEE PAGE 2 FOR DETAIL INFORMATION.

2. THE DRAWING ILLUSTRATE FINALL ASSEMBLY. FOR STORAGE AND SHIPPING, THE POWER &HVIL CONTACTS ARE SHIPPED UNASSEMBLED.

1. THE REFERENCED PRODUCT SHALL BE COMPLIANT TO RoHS DIRECTIVE.

NOTES:

THIS DOCUMENT CONTAINS PROPRIETARY INFORMATION AND SUCH INFORMATION MAY NOT BE DISCLOSED TO OTHERS FOR ANY PURPOSE OR USED FOR MANUFACTURING PURPOSES WITHOUT WRITTEN PERMISSION FROM THE AMPHENOL CORP.

UNLESS OTHERWISE SPECIFIED		APPROVALS		DATE	AMPHENOL INDUSTRIAL OPERATIONS Amphenol Technology(Zhuhai)Co.,Ltd No.63, Xinghan Road, Sanzao Town, Jinwan, Zhuhai, PRC								
LINEAR DIMENSIONS ARE IN: MILLIMETERS TOLERANCES: ANGLES= ±2° DEFAULT LINEAR TOLERANCES SEE TABLE DIM. & TOL. PER ASME Y14.5M-1994; DRW PER MIL-DTL-31000; OTHER AMPHENOL STANDARDS: 9-3800		PREPARED BY: ENGINEER IN CHANGE: DESIGN MANAGER: PRODUCT GROUP: AIPG DIVISION:	THOR YAN SEVEN XIE ROB WENG C&3	2018-06-28									
LEGENDS: =FLAG NOTE CALL OUT REFERENCE THIRD ANGLE PROJECTION		MATERIAL SPEC	PROCESS SPEC	N/A	ELECTRICAL PLUG CONNECTOR WITH HVIL & SHIELDING 2PORTS, Epower-lite SERIES								
		N/A	N/A		<table border="1"> <tr> <th>SIZE</th> <th>CAGE CODE</th> <th>DOCUMENT NUMBER</th> <th>REV</th> </tr> <tr> <td>C</td> <td>77820</td> <td>C ()-738986-2 ()S ()</td> <td>G</td> </tr> </table>	SIZE	CAGE CODE	DOCUMENT NUMBER	REV	C	77820	C ()-738986-2 ()S ()	G
SIZE	CAGE CODE	DOCUMENT NUMBER	REV										
C	77820	C ()-738986-2 ()S ()	G										
				SCALE: 1:2	REF: SHEET 1 OF 2								

ⓐ CODE NUMBER REFERANCE: ELPA2() () ()

KEYWAY MARKING
SEE TABLE 1

WIRE SIZE
SEE TABLE 1

HVIL&EMI OPTION
SEE TABLE 1

TABLE 1			
ITEM NO.	DESCRIPTION	CODE NUMBER	DIMENSION A
KEYWAY MARKING	KEYWAY A	A	4
	KEYWAY Y	Y	8
	KEYWAY Z	Z	0
	KEYWAY U	U	-8
	KEYWAY W	W	-4
WIRE SIZE	25 MM^2	25	
	16 MM^2	16	
HVIL & EMI OPTION	YES EMI & YES HVIL	--	
	YES EMI & NO HVIL	01	
	NO EMI & YES HVIL	10	
	NO EMI & NO HVIL	11	

MFG NUMBER REFERANCE: C()-738986-2()S()

HVIL&EMI OPTION
SEE TABLE 2

KEYWAY MARKING
SEE TABLE 2

WIRE SIZE
SEE TABLE 2

TABLE 2			
ITEM NO.	DESCRIPTION	MFG NUMBER	DIMENSION A
KEYWAY MARKING	KEYWAY A	A	4
	KEYWAY Y	Y	8
	KEYWAY Z	Z	0
	KEYWAY U	U	-8
	KEYWAY W	W	-4
WIRE SIZE	25 MM^2	2	
	16 MM^2	1	
HVIL & EMI OPTION	YES EMI & YES HVIL	10	
	YES EMI & NO HVIL	20	
	NO EMI & YES HVIL	30	
	NO EMI & NO HVIL	40	

NOTES:

THIS DOCUMENT CONTAINS PROPRIETARY INFORMATION AND SUCH INFORMATION MAY NOT BE DISCLOSED TO OTHERS FOR ANY PURPOSE OR USED FOR MANUFACTURING PURPOSES WITHOUT WRITTEN PERMISSION FROM THE AMPHENOL CORP.

SIZE	CAGE CODE	DOCUMENT NUMBER	REV
C	77820	C()-738986-2()S()	G
SCALE: 2:1		REF:	SHEET 2 OF 2