

Customer Information Sheet

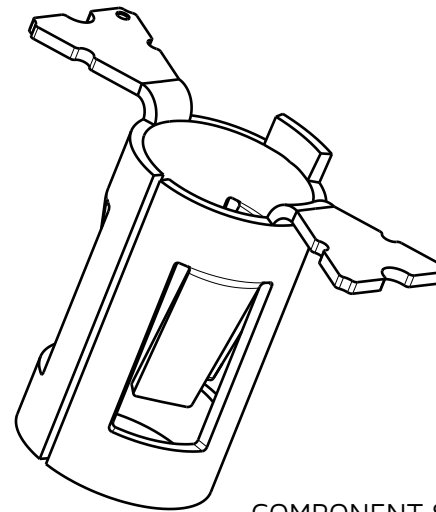
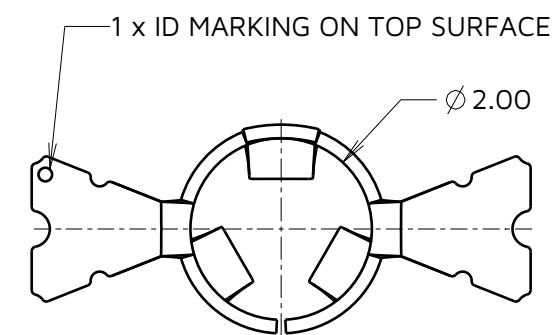
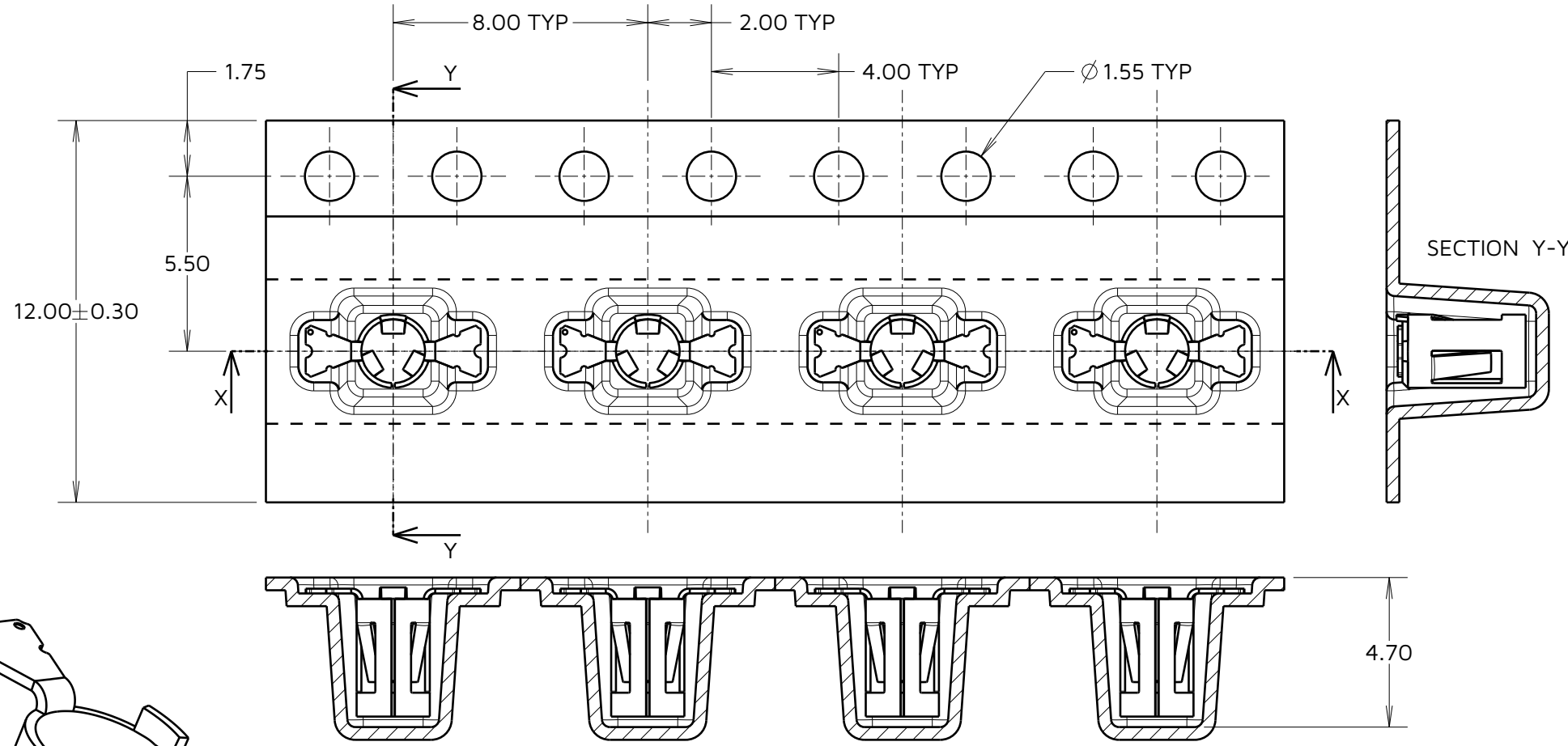
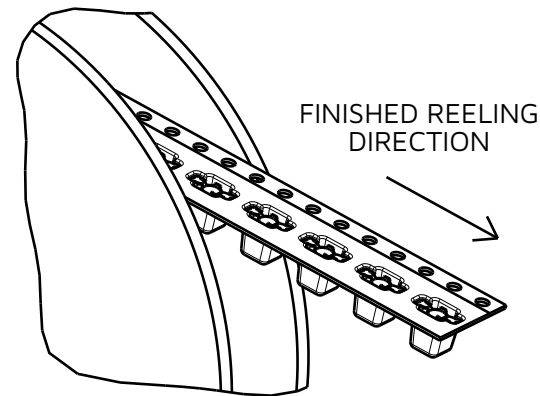
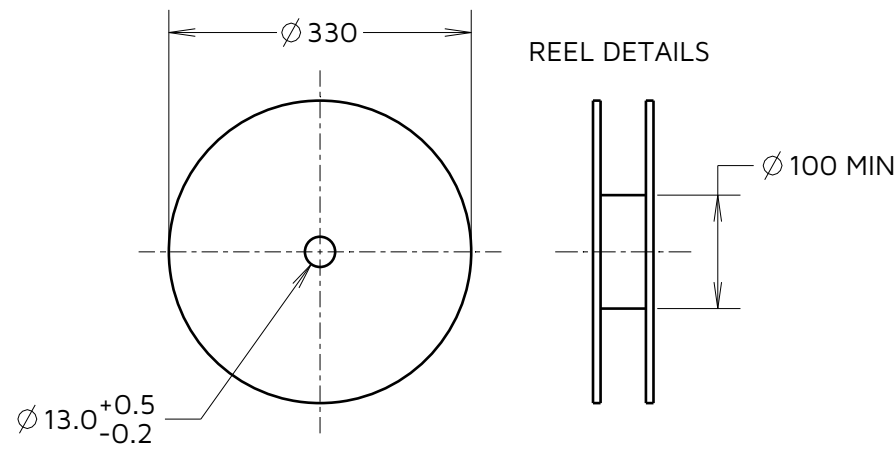
IF IN DOUBT - ASK

©

NOT TO SCALE

THIRD ANGLE PROJECTION

ALL DIMENSIONS IN mm

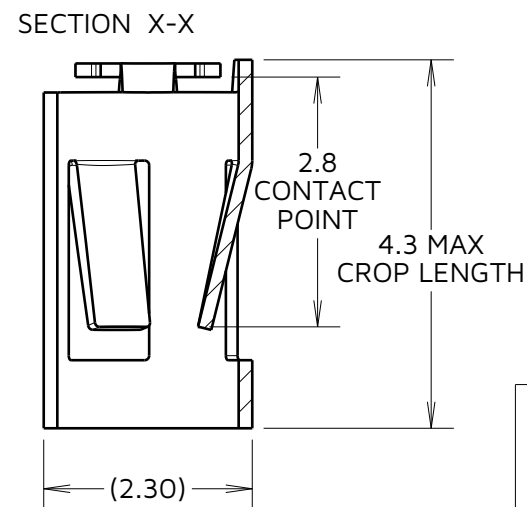
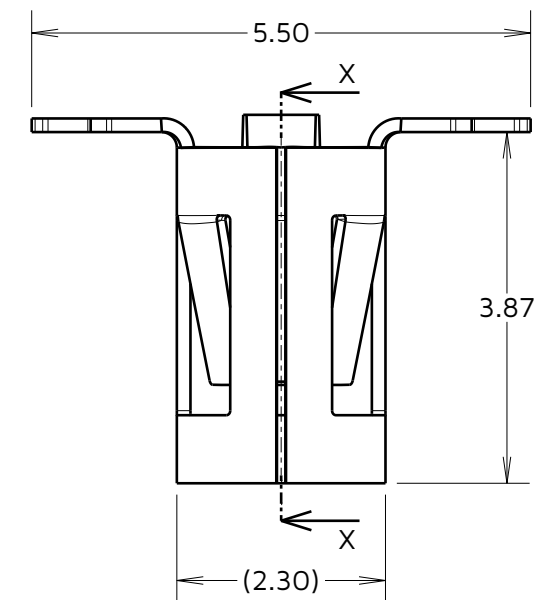
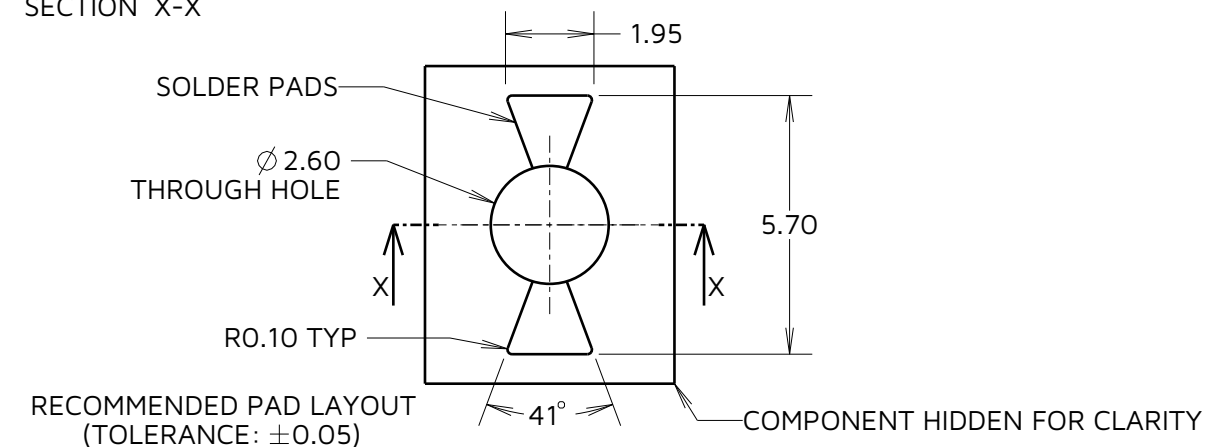


COMPONENT SPECIFICATION
 MATERIAL = BERYLLIUM COPPER
 FINISH = 0.10 μ m - 0.17 μ m GOLD OVER
 1.0 μ m MIN NICKEL

ELECTRICAL:
 CURRENT RATING = 6A
 CONTACT RESISTANCE = 15m Ω MAX

MECHANICAL:
 MAX INSERTION FORCE:
 $\phi 1.50$ mm PIN = 3.5N
 $\phi 1.90$ mm PIN = 17.0N
 MIN WITHDRAWAL FORCE:
 $\phi 1.50$ mm PIN = 0.5N
 $\phi 1.90$ mm PIN = 1.0N
 DURABILITY = 500 CYCLES

ENVIRONMENTAL:
 OPERATING TEMPERATURE = -50°C TO +125°C



NOTES:
 1. QUANTITY OF COMPONENTS PER REEL = 1400.
 2. THIS PRODUCT IS TAPED AND REELED IN GENERAL ACCORDANCE WITH EIA-481-2 (ELECTRONICS INDUSTRIES ASSOCIATION).

RTP	7	22.06.23	32401
NAME	ISS.	DATE	CN/CO
APPROVED:		R.PORTLOCK	
CHECKED:		A.BOXALL	
DRAWN:		S.BENNETT	
ASSEMBLY DRG:			

HARWIN

www.harwin.com

TOLERANCES
 X. = ± 1 mm
 X.X = ± 0.50 mm
 X.XX = ± 0.20 mm
 X.XXX = ± 0.01 mm
 ANGLES = $\pm 5^\circ$
 UNLESS STATED

THIS DRAWING AND ANY INFORMATION OR DESCRIPTIVE MATTER SET OUT HEREON ARE CONFIDENTIAL AND COPYRIGHT PROPERTY OF THE HARWIN GROUP AND MUST NOT BE DISCLOSED, LOANED, COPIED OR USED FOR MANUFACTURING, TENDERING OR FOR ANY OTHER PURPOSE WITHOUT THEIR WRITTEN PERMISSION.

MATERIAL:
 SEE ABOVE

TITLE: SYCAMORE CONTACT
 $\phi 1.50$ mm TOP ENTRY SOCKET
 IN TAPE & REEL

DRAWING NUMBER:
S9111-45R

SHT
 2 OF 2