

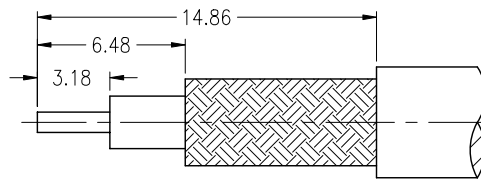
NOTES:

1. MATERIALS AND FINISHES:  
 BODY - BRASS, NICKEL PLATING  
 CONTACT - BRASS, SILVER PLATING  
 INSULATOR - TEFLON, NATURAL
2. ELECTRICAL:  
 A. IMPEDANCE: 50 OHM  
 B. FREQUENCY RANGE: DC 0-4 GHz  
 C. DIELECTRIC WITHSTANDING VOLTAGE: 1500 VRMS, MIN.
3. MECHANICAL:  
 A. DURABILITY: 500 CYCLES MIN.  
 B. TEMPERATURE RANGE: - 65°C to +165°C

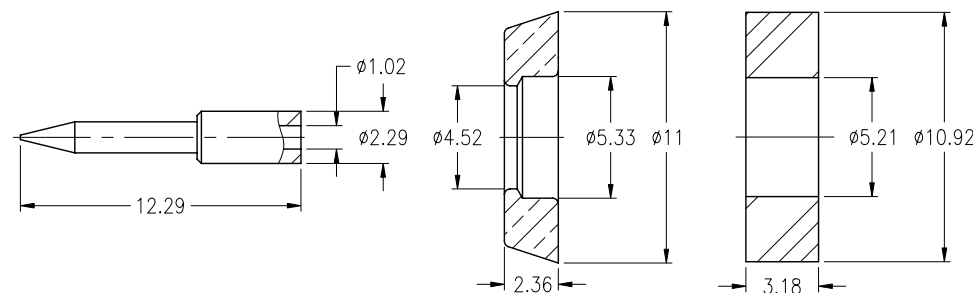
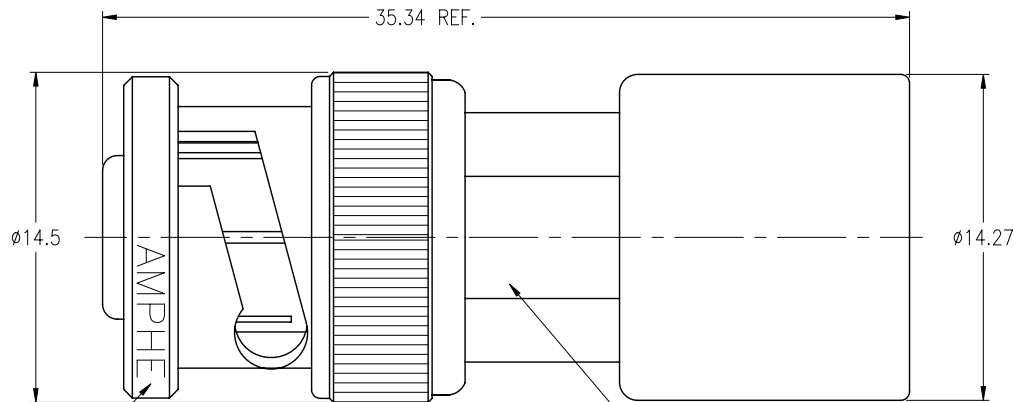
THIRD ANGLE PROJ.

REVISIONS

REV	DESCRIPTION	DATE	ECO	APPR
B	SEE SHEET 1	13-Mar-08	--	AW
L	SEE SHEET 1	21-Dec-09	47888	SH
M	INSULATOR WAS CHANGED, ADDED 7.36 DIMENSION FOR STKING\RD-DM11022101T1	24-Feb-11	48470	SH

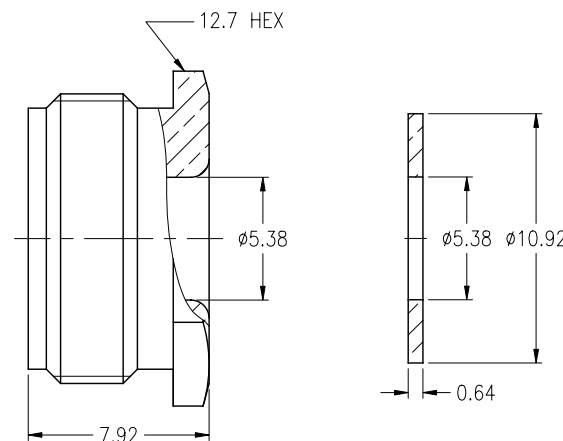


RECOMMENDED  
CABLE STRIPPING DIM'S



STAMP "AMPHENOL 29100"

9.52 ON FLATS



**CUSTOMER OUTLINE DRAWING**  
ALL OTHER SHEETS ARE FOR INTERNAL USE ONLY

UNLESS OTHERWISE SPECIFIED, DIMENSIONS ARE IN METRIC AND TOLERANCES ARE:  
 <0.5mm ±0.05mm    0.5 - 6mm ±0.1mm    6 - 30mm ±0.2mm    30 - 120mm ±0.3mm    ANGLES ±1°

NOTICE - These drawings, specifications, or other data (1) are, and remain the property of Amphenol Corp. (2) must be returned upon request; and (3) are confidential and not to be disclosed to any person other than those to whom they are given by Amphenol Corp. The furnishing of these drawings, specifications, or other data by Amphenol Corp., or to any other person to anyone for any purpose is not to be regarded by implication or otherwise in any manner licensing, granting rights or permitting such holder or any other person to manufacture, use or sell any product, process or design, patented or otherwise, that may in any way be related to or disclosed by said drawings, specifications, or other data.

MATERIAL	DRAWN T.DENG	DATE 24-Feb-11	TITLE MINIATURE H.V. PLUG FOR RG-58/U			Amphenol RF Danbury CT USA, Tainan Taiwan, Shenzhen China www.amphenolrf.com	
REFERENCE	ENGINEER S.LI	DATE 24-Feb-11	SCALE: 3/1    SHEET 2 OF 2			DRAWING NO. 29100	
FINISH	APPROVED S.HSIEH	DATE 24-Feb-11				ITEM NO. 29100	
	CAD FILE F:\DWG\CNPD\29100-MSZ		DWG SIZE B	CODE ID 74868	REV M	PART NO. 29100	