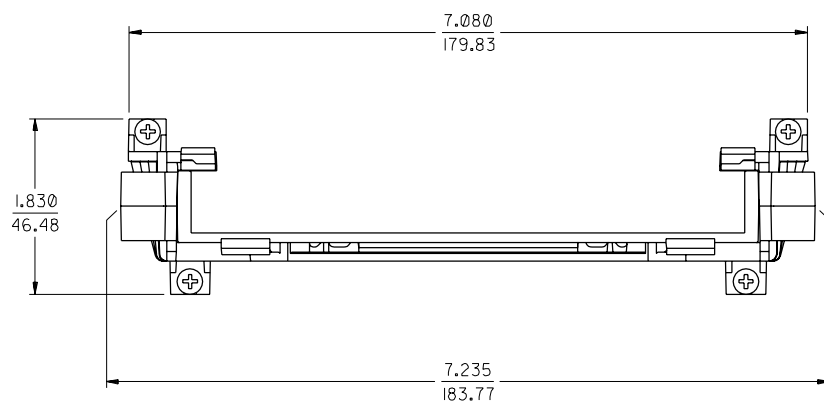


NOTES:

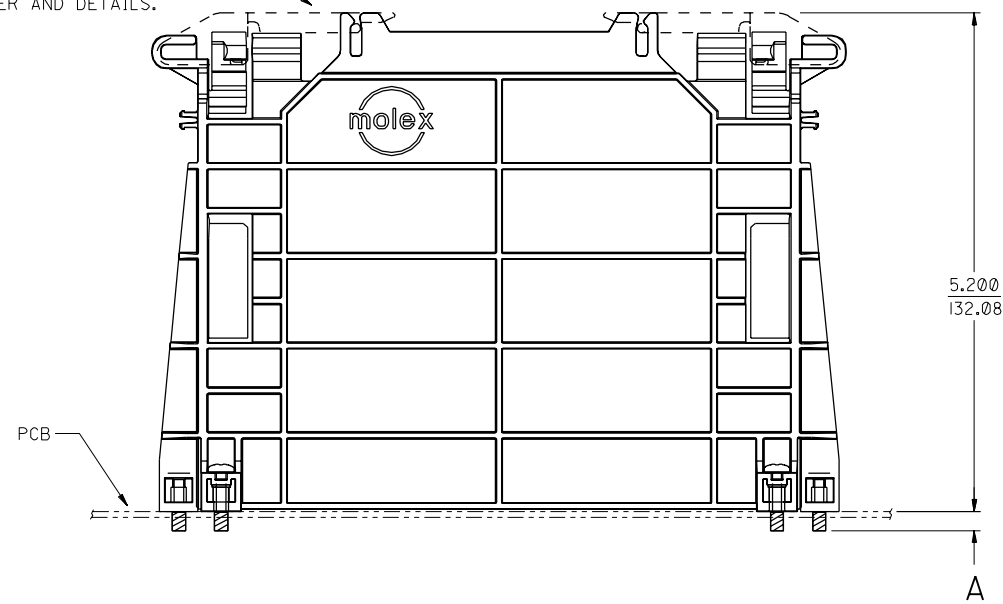
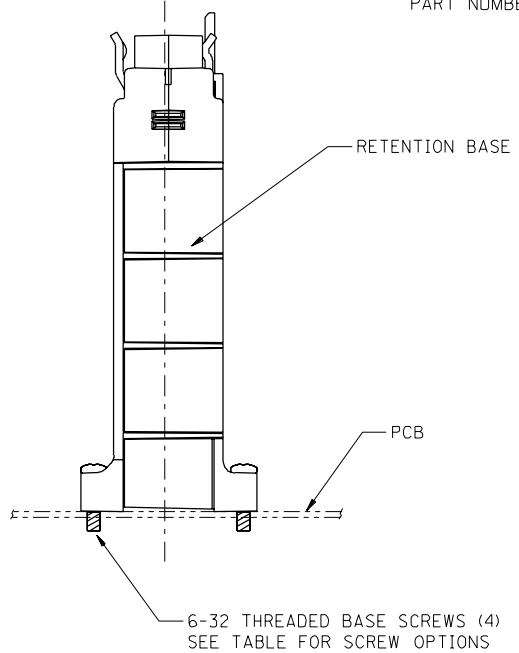
1. MATERIALS:  
 BASE SCREWS - STEEL  
 ALL OTHERS - THERMOPLASTIC  
 COLOR: BLACK
2. FINISH: BASE SCREWS - NI PLATED
3. PRODUCT SPECIFICATION: PS-73940-999
4. APPLICATION SPECIFICATION: AS-73940-997
5. THIS HARDWARE PACKAGE IS FOR USE WITH MOLEX SLOT 2 CONNECTOR AND INTEL PENTIUM II XEON (DS2P) CARTRIDGE.
6. SEE SHEET 2 FOR PC BOARD HOLE PATTERN AND EXPLODED ASSEMBLY VIEW.



← THERMAL PLATE SIDE OF CARTRIDGE

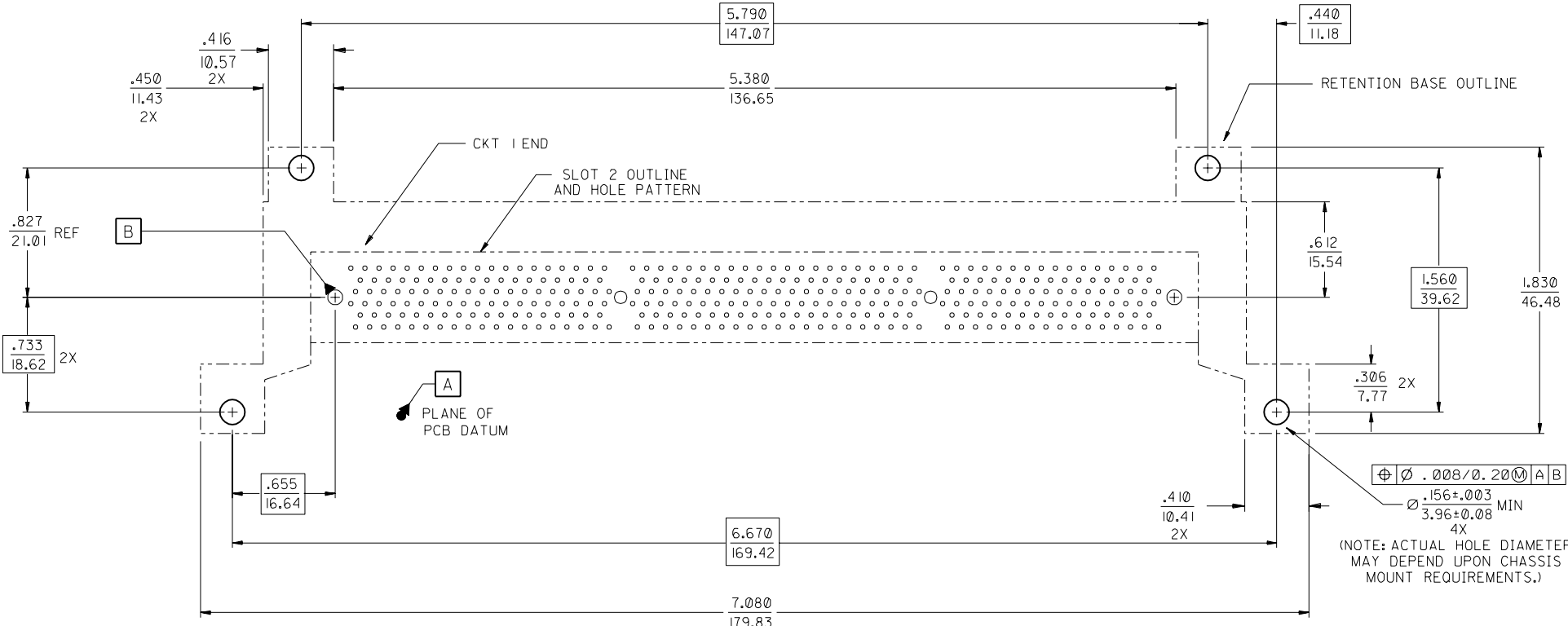
CL OF CONNECTOR

LATCHES (NOT INCLUDED) MUST BE MOUNTED IN THE HOLES IN THE CARTRIDGE. SEE DRAWING SD-73973-001 FOR LATCH PART NUMBER AND DETAILS.

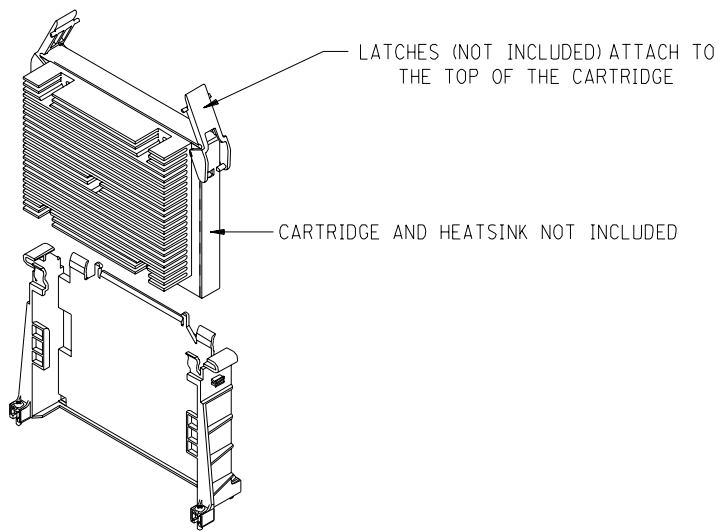


|              |              |            |            |
|--------------|--------------|------------|------------|
| SHORT        | 73940-0001   | 73975-0001 | .200/5.08  |
| LONG         | 73940-0002   | 73975-0002 | .600/15.24 |
| SCREW OPTION | ASSEMBLY NO. | SCREW NO.  | A          |

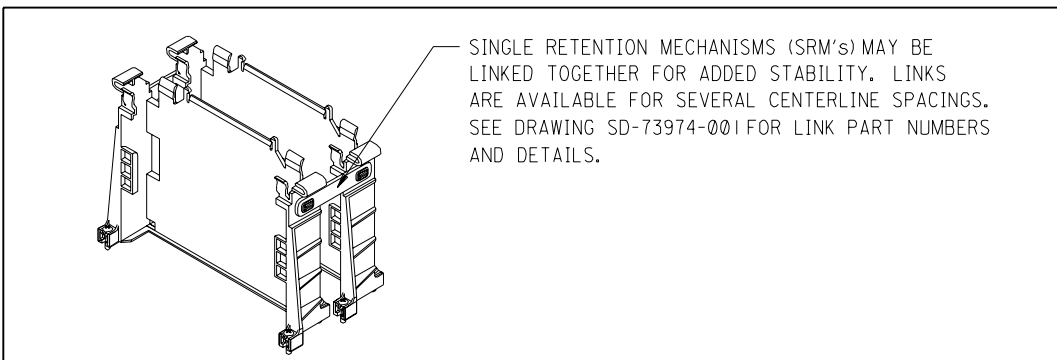
|   |  |  |  |   |  |
|---|--|--|--|---|--|
| REVISED PER<br>EC No. UDT2000-0027<br>DRWN: MCGOWAN 99/07/13<br>CHK: RESENDEZ 99/07/13<br>APPR: NELSON 99/07/13 | QUALITY SYMBOLS<br>MAJOR =  = 0<br>CRITICAL =  = 0   | GENERAL TOLERANCES:<br>(UNLESS SPECIFIED)<br>mm      INCH<br>4 PLACES ±0. -- ±. --<br>3 PLACES ±0. -- ±.015<br>2 PLACES ±0.38 ±. --<br>1 PLACE ±0. -- ±. --<br>ANGULAR: ± 1/2° | SCALE 1:1<br>DESIGN UNITS<br><input type="checkbox"/> mm <input checked="" type="checkbox"/> INCH<br>DRAWN BY & DATE<br>LAURX 98/01/06<br>CHECKED BY & DATE<br>LAURX 98/01/06<br>APPROVED BY & DATE<br>NELSON 98/01/07 | DIMENSIONS:<br><input type="checkbox"/> mm <input checked="" type="checkbox"/> INCH <input type="checkbox"/> mm ONLY<br>THIRD ANGLE PROJECTION<br>TITLE: SLOT 2 - SRM<br>MODULE SUPPORT HARDWARE<br>SALES DRAWING<br>MOLEX INCORPORATED | SHEET NO. 2<br>REV B<br>REVISE ON CAD ONLY |
|   | CAD FILENAME<br>S7394001.DGN                         | MATERIAL NO.<br>SEE TABLE  | DRAWING NO.<br>SD-73940-001  | SHEET NO.<br>1 OF 2   |  |
|   | DRAFT WHERE APPLICABLE MUST REMAIN WITHIN DIMENSIONS |  |  | THIS DRAWING CONTAINS INFORMATION THAT IS PROPRIETARY TO MOLEX INCORPORATED AND SHOULD NOT BE USED WITHOUT WRITTEN PERMISSION.  |  |
|   | REV B  | SIZE C   |  |   |  |



RECOMMENDED PCB LAYOUT (CONNECTOR SIDE)



EXPLODED ASSEMBLY VIEW  
(DO NOT SCALE)



|             |     |                         |  |  |                 |  |   |                        |     |     |
|-------------|-----|-------------------------|--|--|-----------------|--|---|------------------------|-----|-----|
| SEE SHEET 1 | REV | QUALITY SYMBOLS         | GENERAL TOLERANCES: (UNLESS SPECIFIED)               |  | SCALE 2 : 1     | DESIGN UNITS <input type="checkbox"/> mm <input checked="" type="checkbox"/> INCH  | DIMENSIONS: <input type="checkbox"/> mm <input checked="" type="checkbox"/> INCH <input type="checkbox"/> mm ONLY |                        | SHT | REV |
|             |     | MAJOR $\nabla = 0$      | mm   | INCH   | DRAWN BY & DATE | THIRD ANGLE PROJECTION <input type="checkbox"/> mm <input checked="" type="checkbox"/> INCH <input type="checkbox"/> mm ONLY |   | REVISE ON CAD ONLY     |     |     |
|             |     | CRITICAL $\nabla C = 0$ | 4 PLACES $\pm 0. \text{ -- } \pm . \text{ -- }$      | 3 PLACES $\pm 0. \text{ -- } \pm .015$   | LAURX 98/01/06  | TITLE: SLOT 2 - SRM  |   | SHEET NO. 2            |     |     |
|             |     |                         | 2 PLACES $\pm 0.38 \text{ -- } \pm . \text{ -- }$    | 1 PLACE $\pm 0. \text{ -- } \pm . \text{ -- }$   | LAURX 98/01/06  | MODULE SUPPORT HARDWARE  |   | SALES DRAWING          |     |     |
|             |     |                         | APPROVED BY & DATE                                   | MATERIAL NO. SEE TABLE   |                 | DRAWING NO. SD-73940-001   |   | MATERIAL NO. SEE TABLE |     |     |
|             |     |                         | NELSON 98/01/07                                      | MATERIAL NO. SEE TABLE   |                 | DRAWING NO. SD-73940-001   |   | MATERIAL NO. SEE TABLE |     |     |
|             |     |                         | ANGULAR: $\pm 1/2^\circ$                             | CAD FILENAME S7394002.DGN  |                 | DRAWING NO. SD-73940-001   |   | MATERIAL NO. SEE TABLE |     |     |
|             |     |                         | DRAFT WHERE APPLICABLE MUST REMAIN WITHIN DIMENSIONS | THIS DRAWING CONTAINS INFORMATION THAT IS PROPRIETARY TO MOLEX INCORPORATED AND SHOULD NOT BE USED WITHOUT WRITTEN PERMISSION. |                 | DRAWING NO. SD-73940-001   |   | MATERIAL NO. SEE TABLE |     |     |