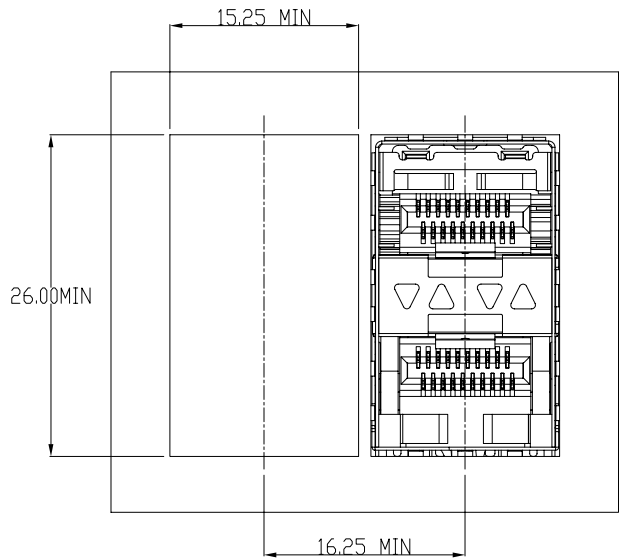
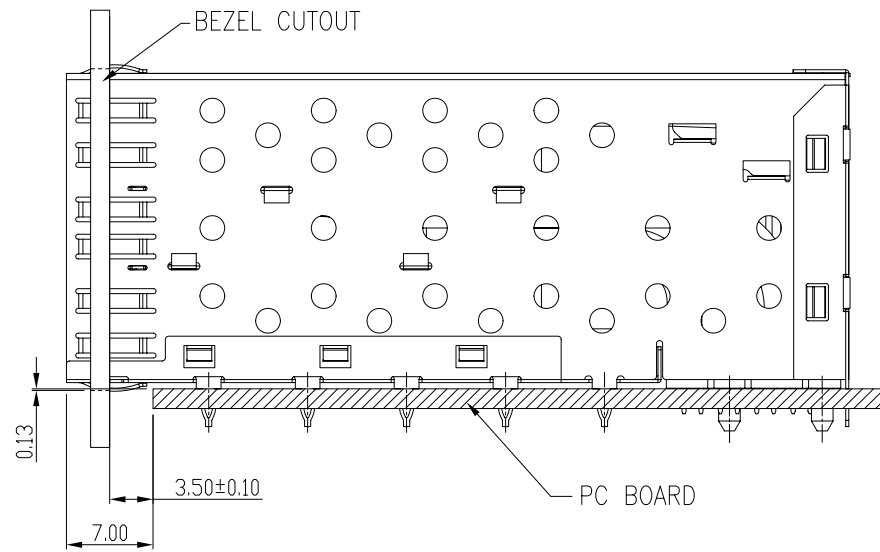


Qty Per:	TRAY	CARTON		
	16	96		
PART NUMBER	STATEMENT			
SFP0-3040-L	INNER/OUTER LIGHT PIPES			
No.	DESCRIPTION	Q'ty	MATERIAL	PLATING
01	SFP CAGE (Non-Logo)	1	COPPER ALLOY	NICKEL
02	CONNECTOR	1	HIGH TEMP/COPPER ALLOY	GOLD
03	LIGHT PIPE	1	POLYCARBONITE	

DETACHED LISTS	MM (INCH)	<b>RoHS Compliant</b>			
	TOLERANCES EXCEPT AS NOTED			TITLE SFP 2 BY 1 CAGE+CONNECTOR_P W/LIGHT PIPES	
	MM				SIZE
	.0 ± 0.25 ±				A3
.00 ± 0.2 ±	REV				
0.00 ± 0.10 ±	3	DATE 4/19/10	DRAWING NO. CSFP0-3040-L		
ANGLES ± 0.5	SCALE : 2:1	/PART NO. SFP0-3040-L	DO NOT SCALE DRAWING		
THIRD ANGLE PROJECTION		SHEET 1	OF 4		



BEZEL CUT-OUT CENTER SPACING DETAIL  
BEZEL THICKNESS:0.8-2.6



SECTION A-A

8 | 7 | 6 | 5 | 4 | 3 | 2 | 1

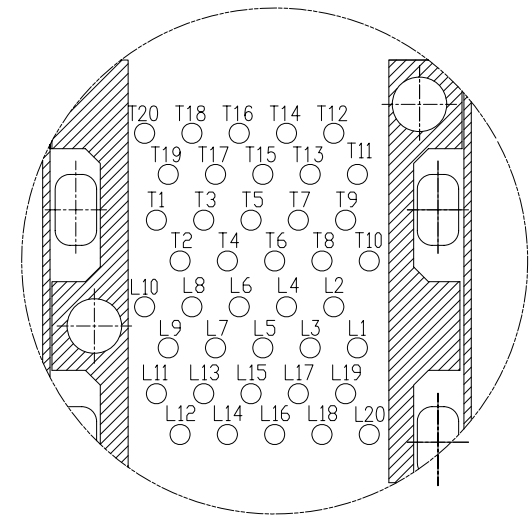
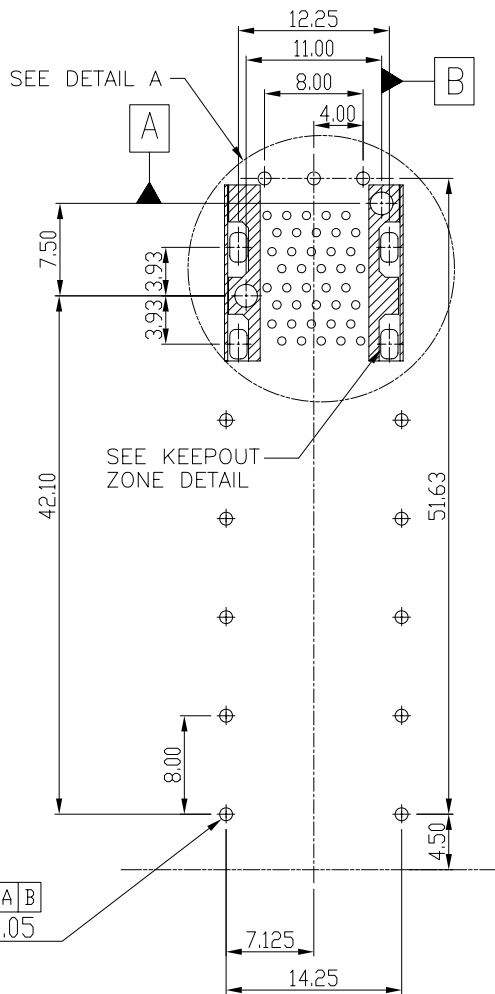
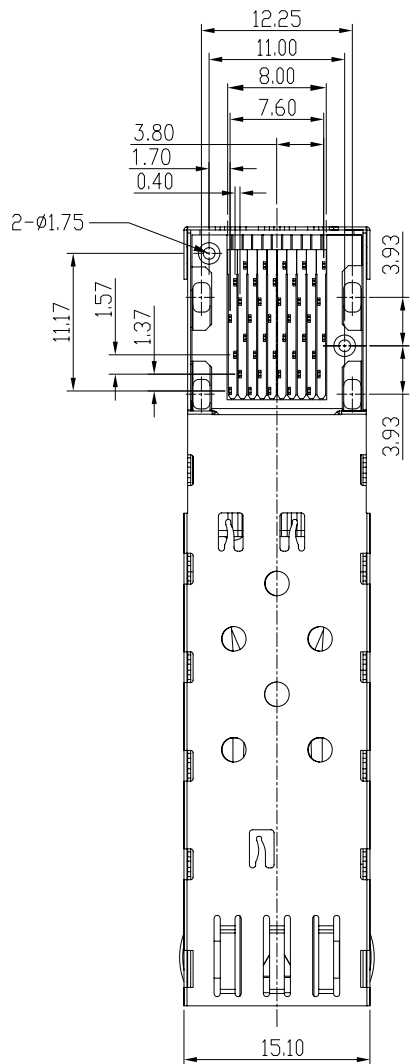
H  
G  
F  
E  
D  
C  
B  
A

DETACHED LISTS	MM (INCH)		<b>RoHS Compliant</b>				
	TOLERANCES EXCEPT AS NOTED						
	MM						
	.0 ± 0.25						
.00 ± 0.2							
.000 ± 0.10							
ANGLES ± 0.5							
		THIRD ANGLE PROJECTION		SCALE : 2:1		DO NOT SCALE DRAWING	
TITLE		DRAWING NO. CSFP0-3040-L		SIZE	REV		
SFP 2 BY 1 CAGE+CONNECTOR_P		/PART NO. SFP0-3040-L		A3	3		
				SHEET 2	OF 4		

W/LIGHT PIPES

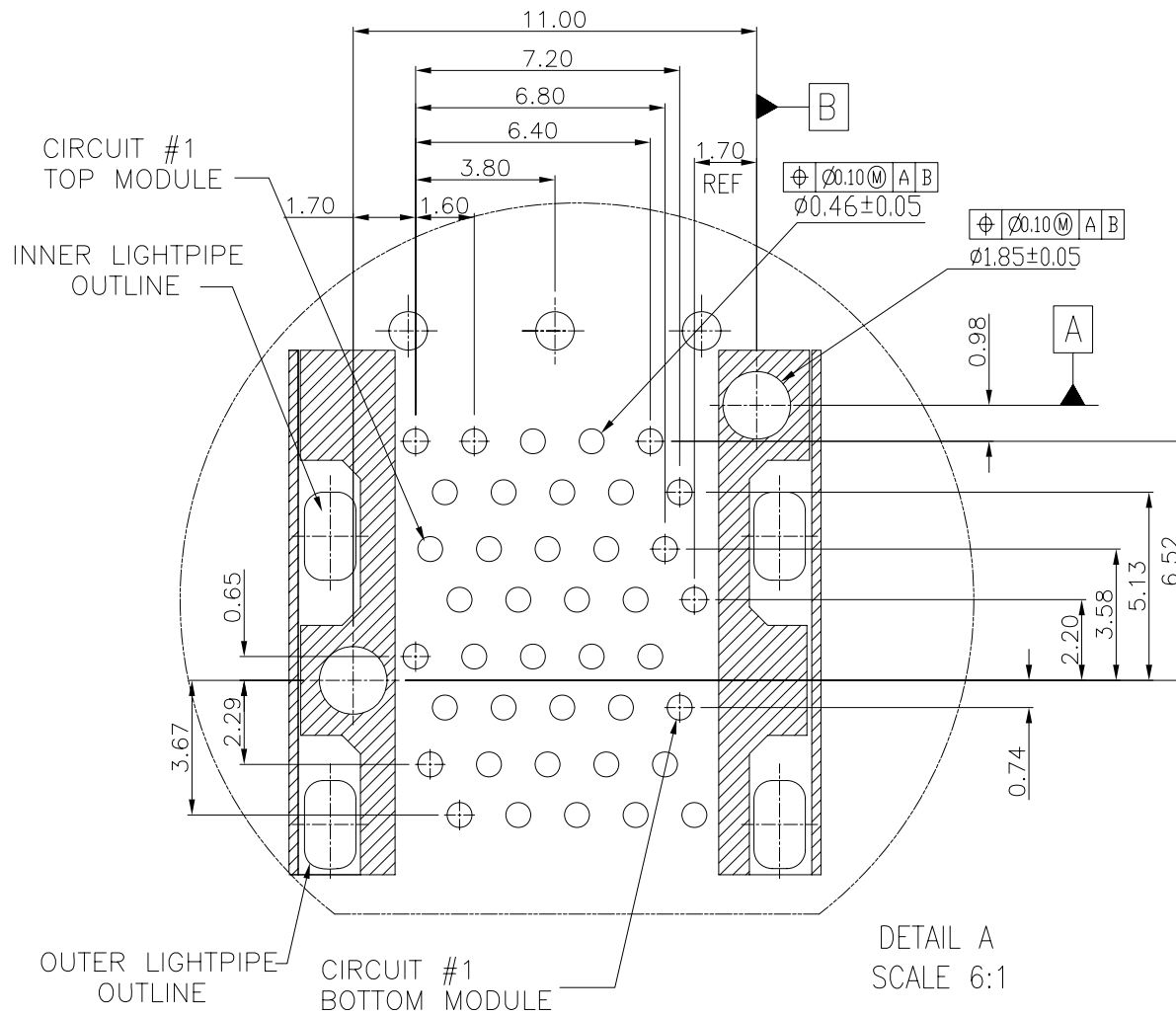
3

OF 4


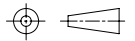


$\phi \phi 1.05 \pm 0.05$  A B

MM (INCH)		<b>RoHS Compliant</b>			
TOLERANCES EXCEPT AS NOTED		TITLE SFP 2 BY 1 CAGE+CONNECTOR_P W/LIGHT PIPES			
DETACHED LISTS	MM	$.0 \pm 0.25$	$\pm$	DATE 4/19/10	
	$.00 \pm 0.2$	$\pm$	DRAWING NO. CSFP0-3040-L		
	$.000 \pm 0.10$	$\pm$	/PART NO. SFPO-3040-L		
ANGLES $\pm 0.5$		SCALE : 2:1		DD NOT SCALE DRAWING	SHEET 3 OF 4
THIRD ANGLE PROJECTION		DFTD Jack		SIZE A3	REV 3



DETAIL A  
SCALE 6:1

MM (INCH)		<b>RoHS Compliant</b>		 <b>Pulse</b> <small>A TECHNITROL COMPANY</small>	
TOLERANCES EXCEPT AS NOTED MM .0 ± 0.25 ± .00 ± 0.2 ± .000 ± 0.10 ±		TITLE SFP 2 BY 1 CAGE+CONNECTOR_P W/LIGHT PIPES			
ANGLES ± 0.5		DFTD Jack DATE 4/19/10		DRAWING NO. CSFP0-3040-L /PART NO. SFPO-3040-L	
 THIRD ANGLE PROJECTION		SCALE : 2:1		DO NOT SCALE DRAWING	
				SIZE A3	REV 3
				SHEET 4	OF 4