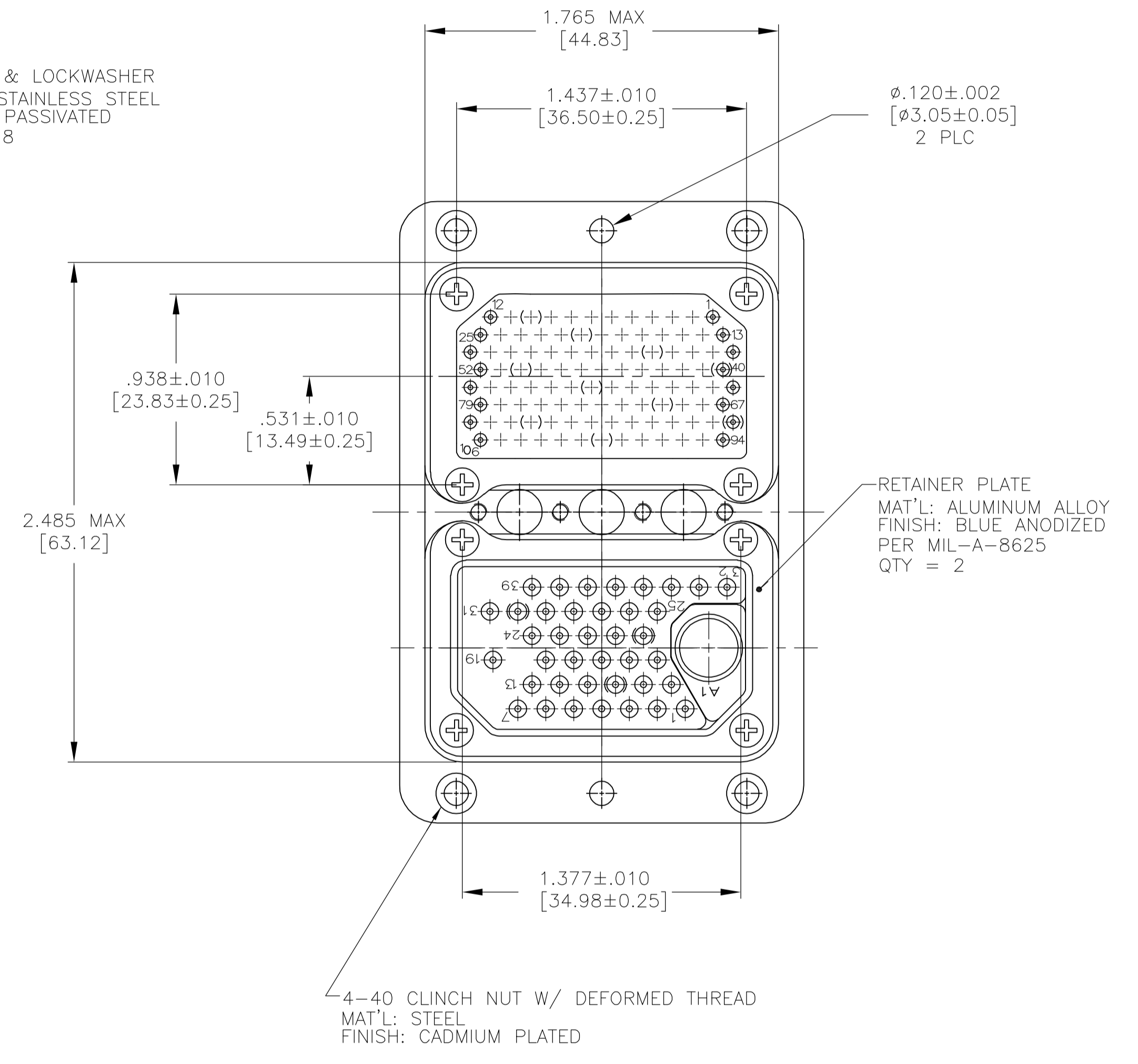
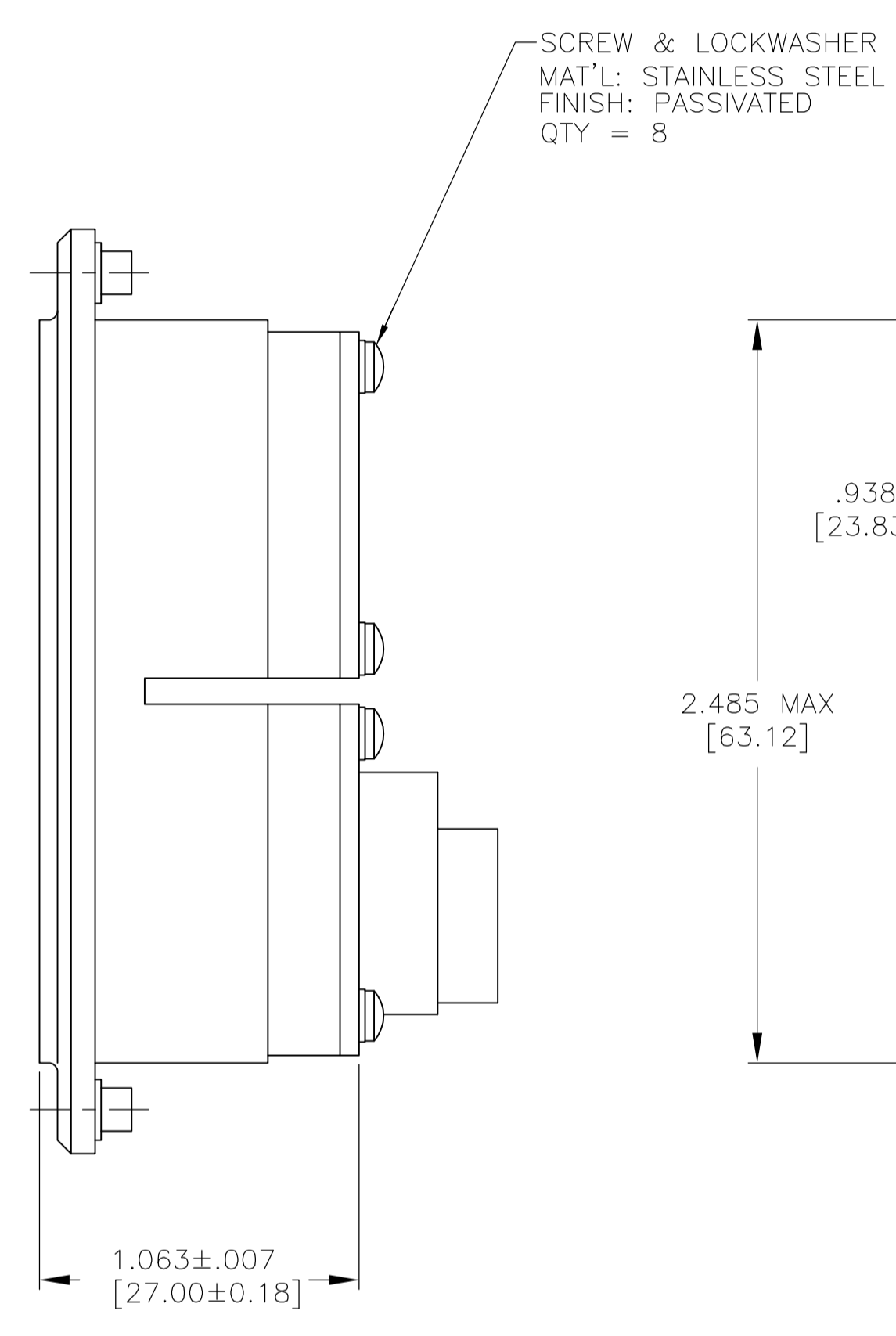
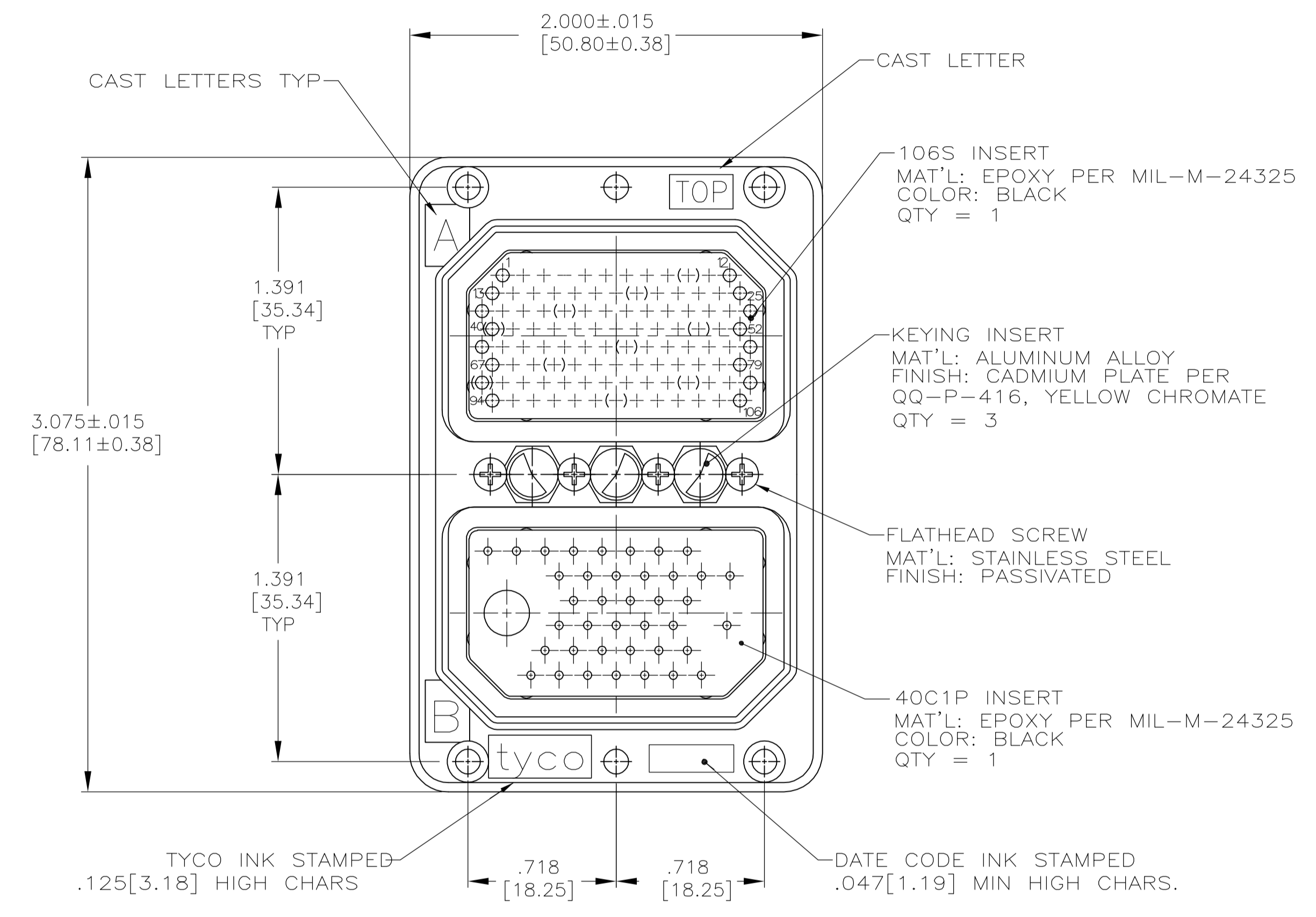
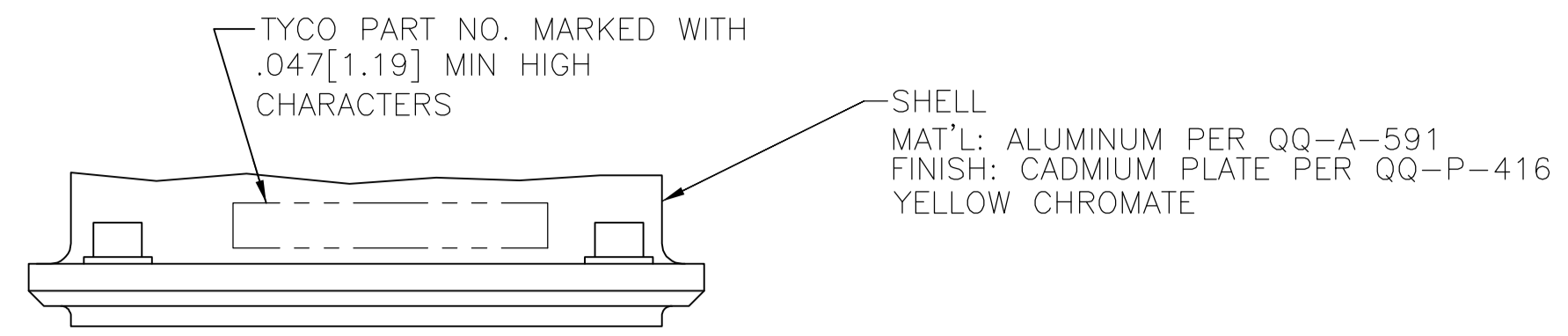


LOC		DIST		REVISIONS			
DF	AO	REV	PER	ECO	DATE	BY	APP'D
A		REV PER ECO	06-14919		6-23-06	CT	DE



- CONTACTS ARE SHIPPED UNASSEMBLED WITH CONNECTOR.
- KEYING INSTALLED IN POSITION "44".

1757337-1  
PART NUMBER

THIS DRAWING IS A CONTROLLED DOCUMENT.		DWG C.C.THOMAS	18JAN05	<b>tyco</b> Electronics	Tyco Electronics Corporation Harrisburg, Pa 17105-3608	
DIMENSIONS: INCHES [mm]		CHK LARRY OH	1-18-05		APVD LARRY OH	1-18-05
TOLERANCES UNLESS OTHERWISE SPECIFIED:		0 PLC ± -		APPLICATION SPEC		SIZE A1
1 PLC ± -		2 PLC ± -		RESTRICTED TO		SCALE 2:1
3 PLC ± -		4 PLC ± -		WEIGHT		SHEET 1 OF 1
ANGLES ± -		FINISH SEE CALLOUTS		CUSTOMER DRAWING		REV A
MATERIAL SEE CALLOUTS		DRAWING NO 00779		DRAWING NO 1757337		