



## FEATURES

- ▶ Low-cost, high-performance replacement for many OEM DPMs
- ▶ Surface or inside panel mounting
- ▶ Resistant to RF and EMI
- ▶ 3½ digits with high-contrast LCD
- ▶ 4-20 mA loop powered input

## SPECIFICATIONS

### DISPLAY

Digits: 3 ½ digits ( $\pm 1999$  counts)  
 Type: 0.5" (12 mm) 7 segment LCD  
 Polarity: automatic, "-" displayed  
 Decimal Points: 3 position, user selectable  
 Overrange: three lower order digits blank for inputs  $>1999$  &  $< -1999$

### INPUTS

Ranges: 4-20 mA DC  
 Configuration: bipolar differential  
 Protection: 30 mA max.  
 Loop Burden: 300 $\Omega$  nominal

### PERFORMANCE

Accuracy:  $\pm(0.1\% \text{ fs} + 2 \text{ count})$   
 Conversion Rate: 3 per second  
 Normal Mode Rejection:  $>30 \text{ dB @ } 60 \text{ Hz}$   
 Adjustments: span (gain) and zero (offset)  
 Warmup: 10 minutes typical  
 Temperature Coeff.:  $\pm 100 \text{ ppm per } ^\circ\text{C}$  typical

### ENVIRONMENT

Operating Range: 0 to 50  $^\circ\text{C}$   
 Storage Range: -10 to 70  $^\circ\text{C}$

### POWER SUPPLY

powered by the milliamp control loop

### MOUNTING

surface

### CONNECTION

2 screw terminal

## ORDERING INFO

### PART NUMBER

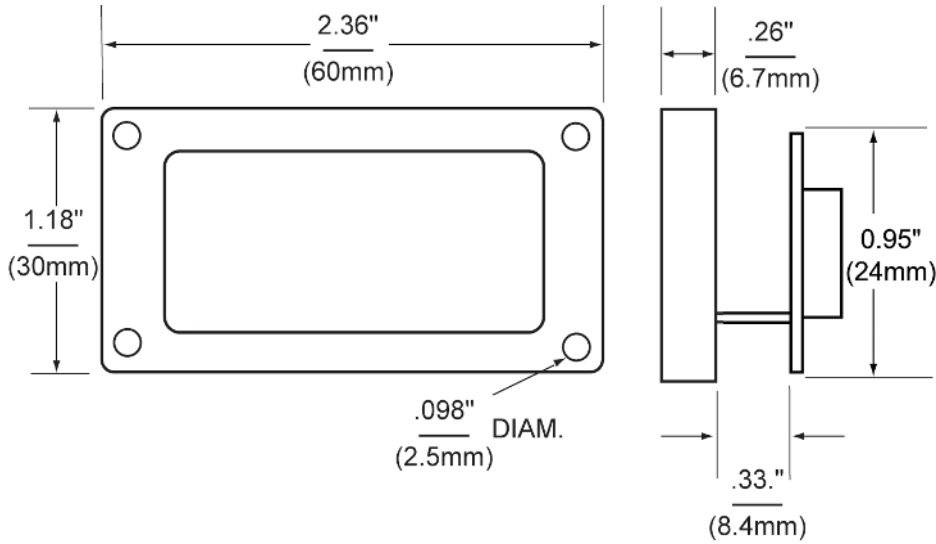
DK190F

### ACCESSORIES

PW2-12 ..... Regulated 120V AC to 12V DC Power Supply  
 PW2-24 ..... Regulated 120V AC to 24V DC Power Supply  
 PW1.0.....24V AC to adjustable DC output  
 PW1.5.....24V AC to adjustable DC output  
 CVC ..... Calibrator

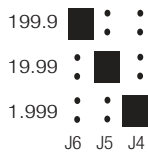


**DIMENSIONS**



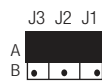
**JUMPER SELECTION & WIRING**

**1. DECIMAL SELECTION:**



**2. J1, J2, J3 SELECTION:**

**IF:** OFFSET (ZERO) IS 0 or  
 OFFSET (ZERO) > 0 and GAIN (SPAN) ÷ OFFSET (ZERO) ≥ 5



**IF:** OFFSET (ZERO) > 0 and GAIN (SPAN) ÷ OFFSET (ZERO) < 5

