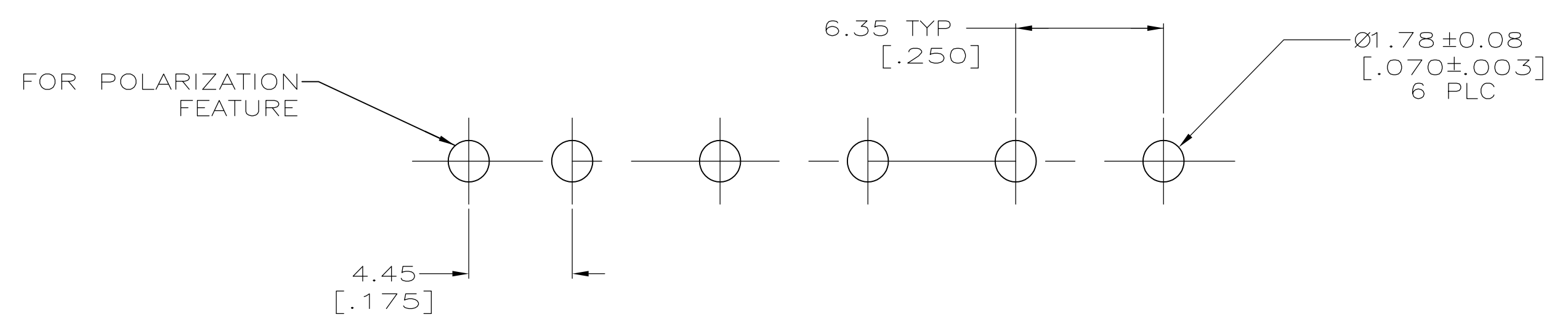
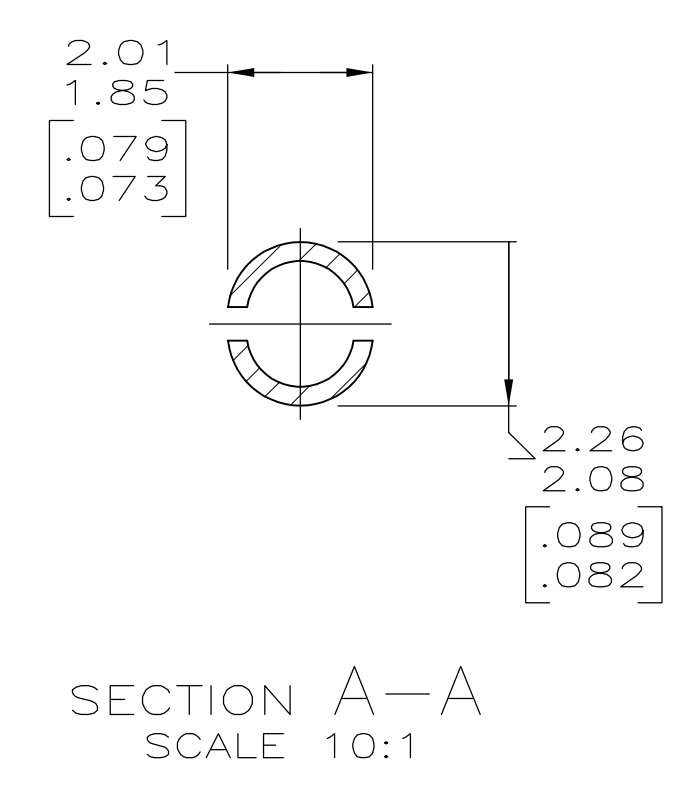
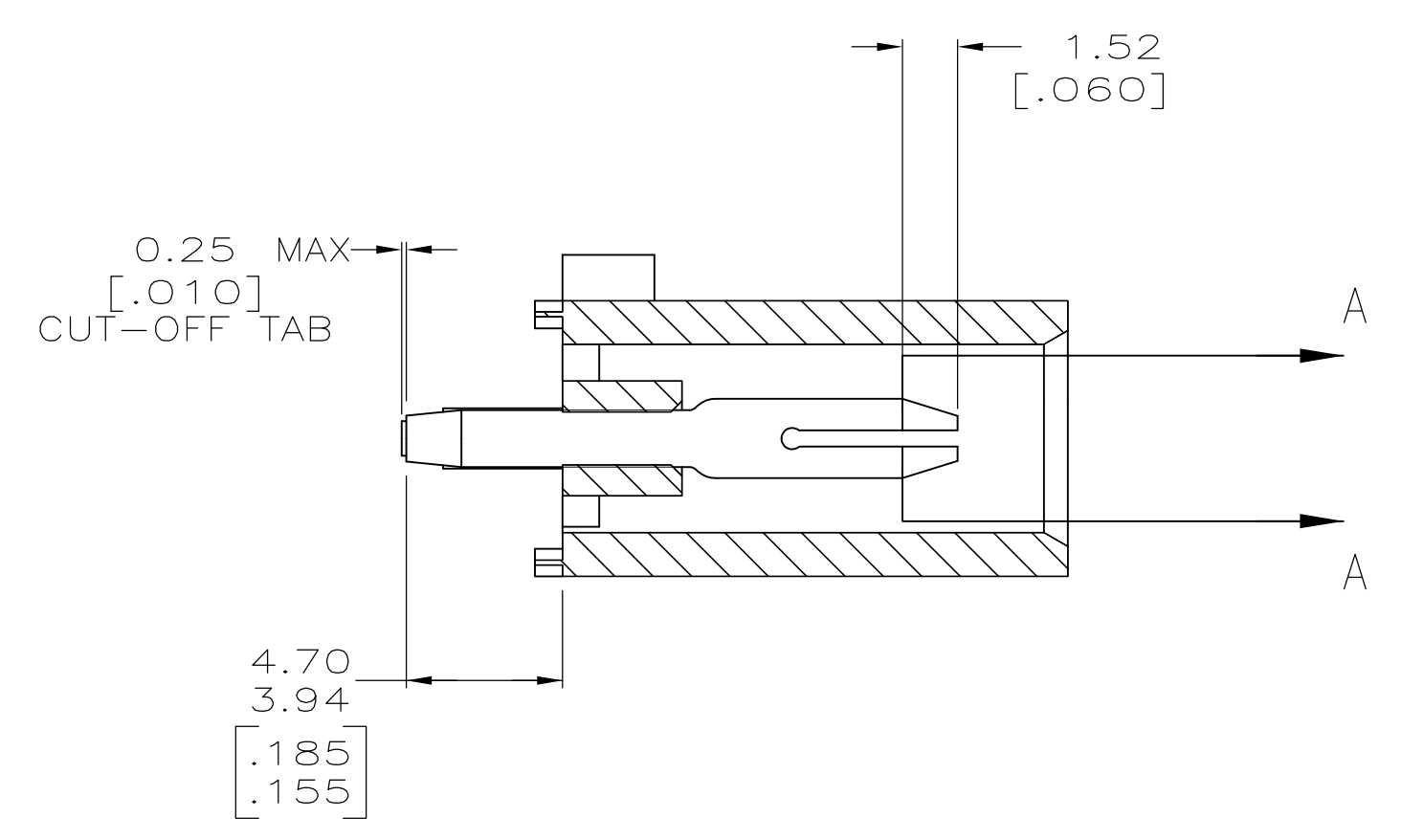
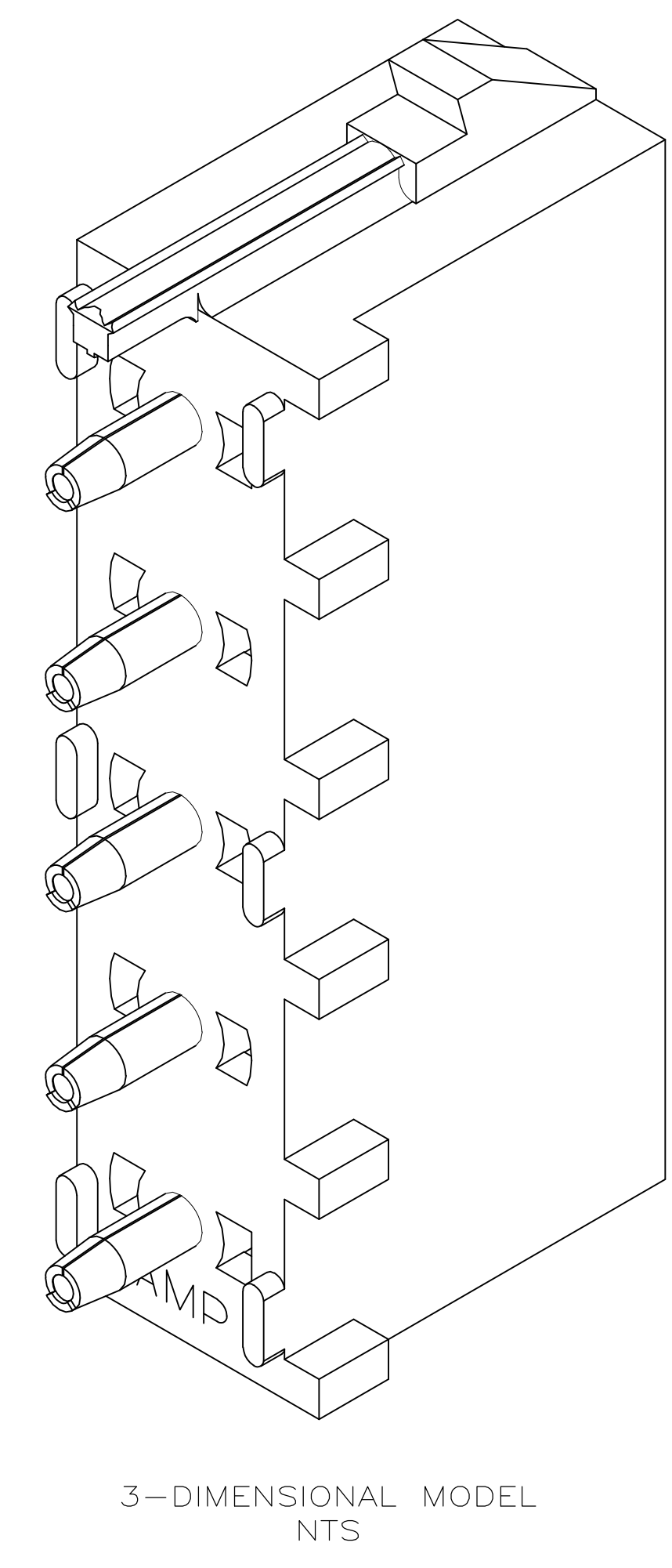
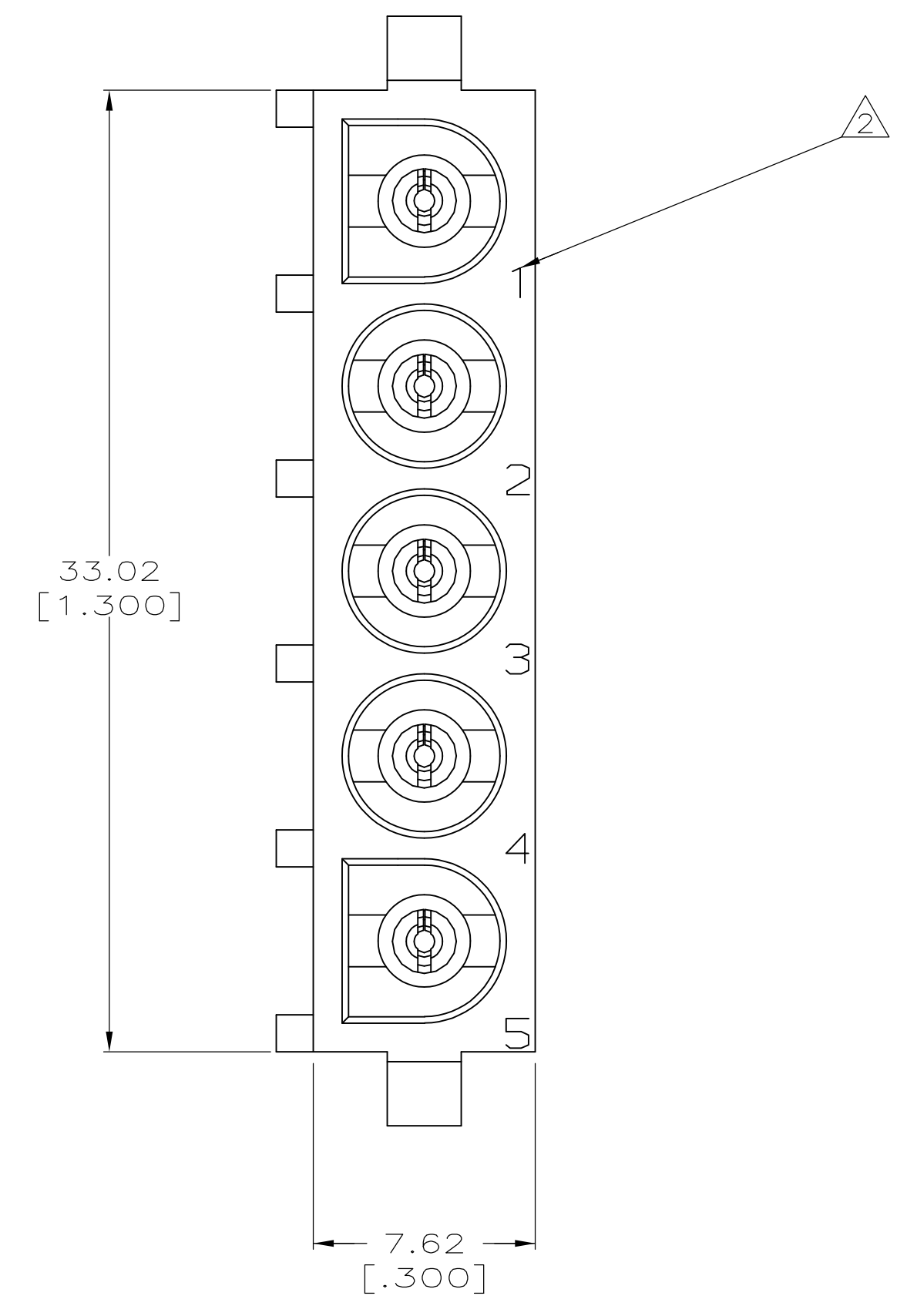
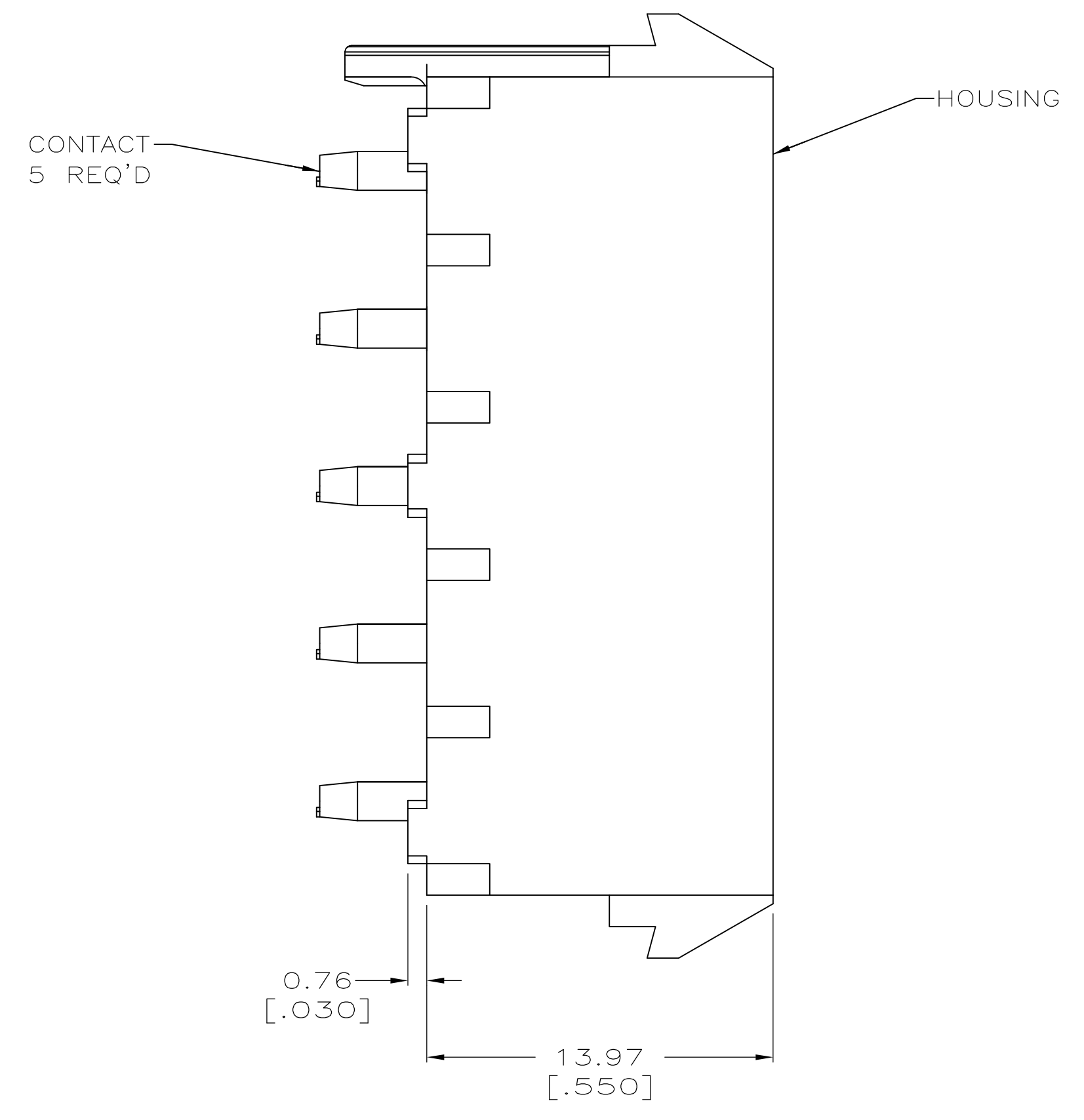
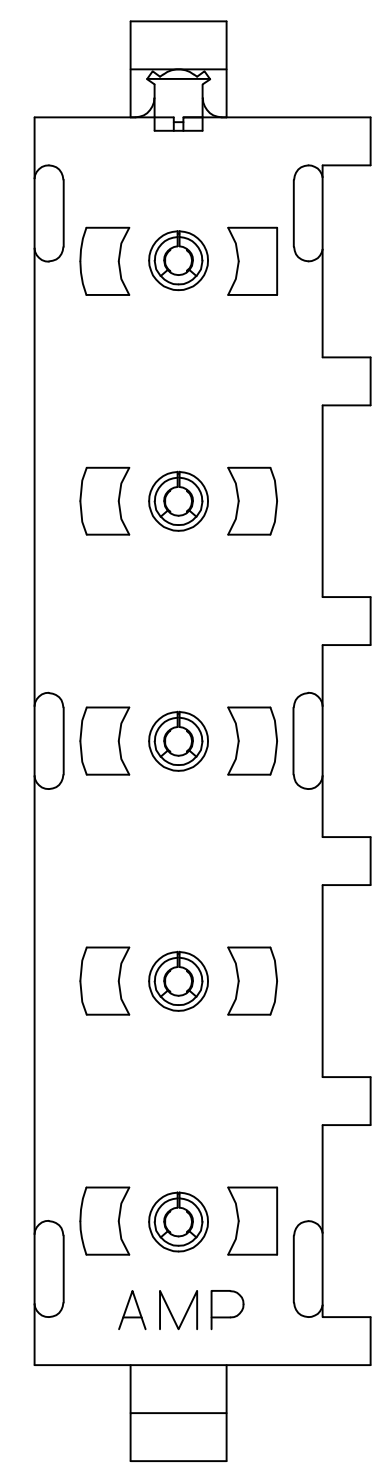


LOC		DIST		REVISIONS			
P	LTR	REV	PER	ECR	DATE	DMN	APVD
B					14SEPT10	JR	TM

- PARTS COMPLY TO AMP SOLDERABILITY SPECIFICATION 109-11-3.
- CIRCUIT IDENTIFICATION CHARACTERS ARE ADJACENT TO THE INDICATED CAVITIES, BUT LOCATION AND ORIENTATION MAY DIFFER FROM PRINT.
- DIMENSIONS IN BRACKETS ARE IN INCHES.
- FLAMMABILITY V2 FOR THICKNESS 0.38mm, 1.5mm, and 3.0mm PER IEC 60695-11-10.
- GLOW-WIRE FLAMMABILITY (GWFI) 800°C FOR THICKNESS 0.38mm AND 0.75mm PER IEC 60695-2-12.
- GLOW-WIRE FLAMMABILITY (GWFI) 960°C FOR THICKNESS 1.5mm AND 3.0mm PER IEC 60695-2-12.
- GLOW-WIRE IGNITION (GWIT) 825°C FOR THICKNESS 0.38mm, 0.75mm, 1.5mm AND 3.0mm PER IEC 60695-2-13.



RECOMMENDED MOUNTING HOLE PATTERN FOR 1.57 [.062] THICK P.C. BOARD

PHOSPHOR BRONZE, PRE-TIN	NYLON, UL94V-2,NATURAL	1586970-1
CONTACT MATERIAL AND FINISH	HOUSING MATERIAL AND COLOR	PART NO

THIS DRAWING IS A CONTROLLED DOCUMENT.		DIN K. WHITAKER 07AUG2007		Tyco Electronics Corporation Harrisburg, PA 17105-3608	
DIMENSIONS: mm [INCHES]		CHK D. COLEY 07AUG2007		NAME	
TOLERANCES UNLESS OTHERWISE SPECIFIED:		APP'D D. COLEY 07AUG2007		PRODUCT SPEC	
0 PLC	± -	APPLICATION SPEC		SIZE	
1 PLC	± -	WEIGHT		CAGE CODE	
2 PLC	± 0.13 [.005]	CUSTOMER DRAWING		DRAWING NO	
3 PLC	± -	SCALE 5:1		SHEET 1 OF 1	
4 PLC	± -	REV B		RESTRICTED TO	
ANGLES	± 0°30'	A1 00779		1586970	

