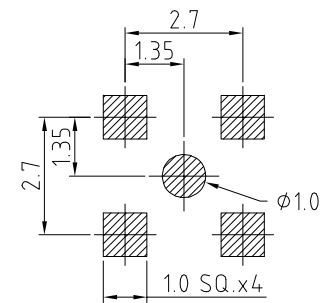
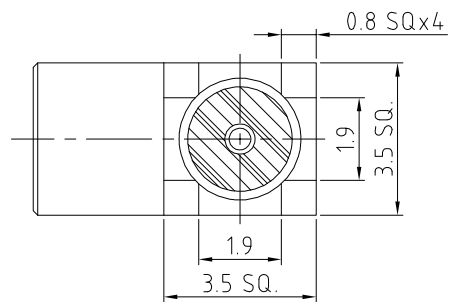
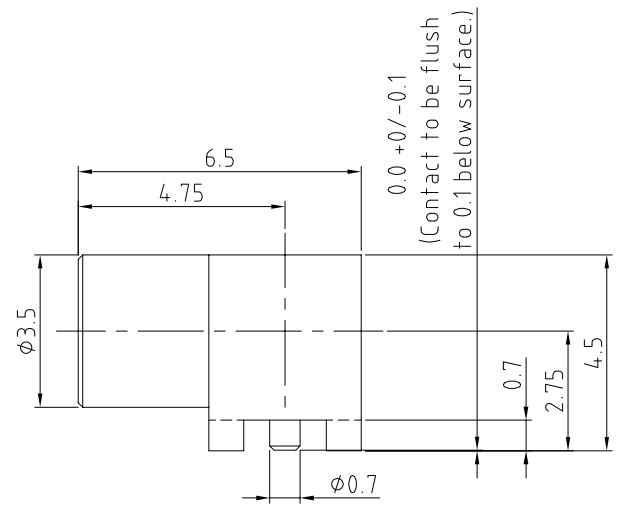


RFPC-MMX05-F : MMCX Right Angle Jack, Surface Mount Type

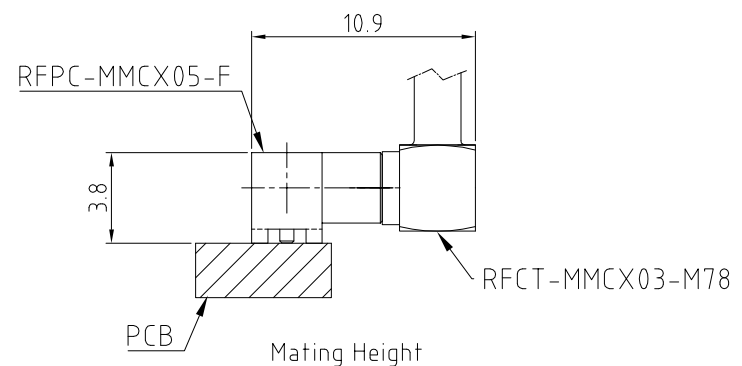
Material and Plating:
 Insulator: Teflon
 Pin: Beryllium Copper, Gold
 Body: Brass, Gold

Specification:
 Durability: 500 Mating Cycles Min.
 Operating Temperature: -40°C~+125°C
 Working Frequency Range: DC~6GHz
 Impedance: 50 ohm.

Notes:
 1. The tape & reel packaging is available but not tooled, contact GradConn for more detail.



Recommended PCB SMT Layout



HOW TO ORDER
 R F P C - M M C X 0 5 - F - X
 T
 PACKAGING OPTIONS:
 T = TRAY
 R = TAPE & REEL (SEE NOTES 1.)

REV. DATE & DRN	10 21/05/19 - NYW RELEASE
	11 24/02/20 - NYW ADD MATING HEIGHT DIAGRAM
	12 27/07/20 - NYW AMEND OPERATING TEMP.
	13 16/02/23 - NYW ADD IMPEDANCE

Scale: NTS	THIRD ANGLE	Unstated X ±0.2 .XX ±0.2 .XXX ±0.2 ANGLES ±5	Material SEE NOTE
Drawn: NYW			
App'd: XXX	Title JACK		NOT TO SCALE
Date: 14 FEB. '23	Revision: 1.3		Unit: mm

© THIS DRAWING IS CONFIDENTIAL AND MUST NOT BE COPIED OR DISCLOSED WITHOUT WRITTEN CONSENT

Type: RFPC-MMX05-F
RFPC-MMX05-F
Drawing Number:
Sheet 1 of 1
Drawing © E and O E