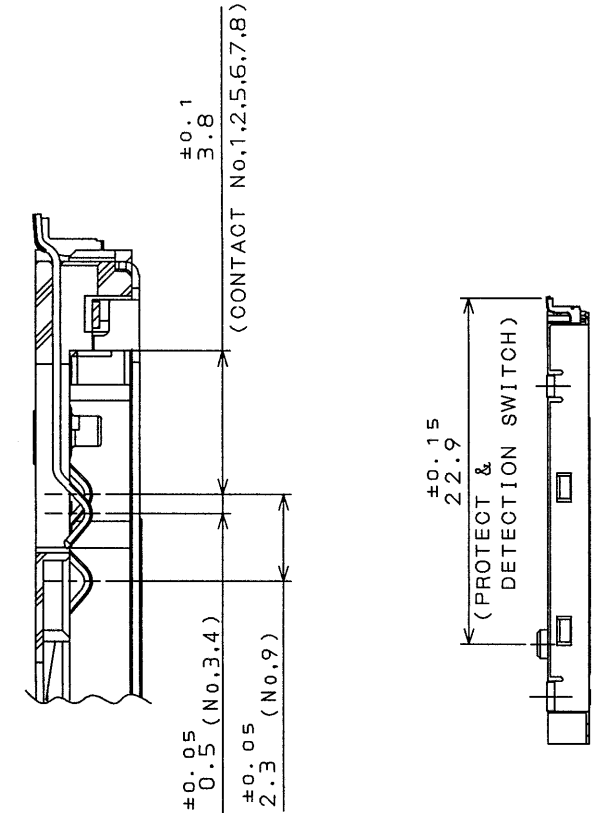
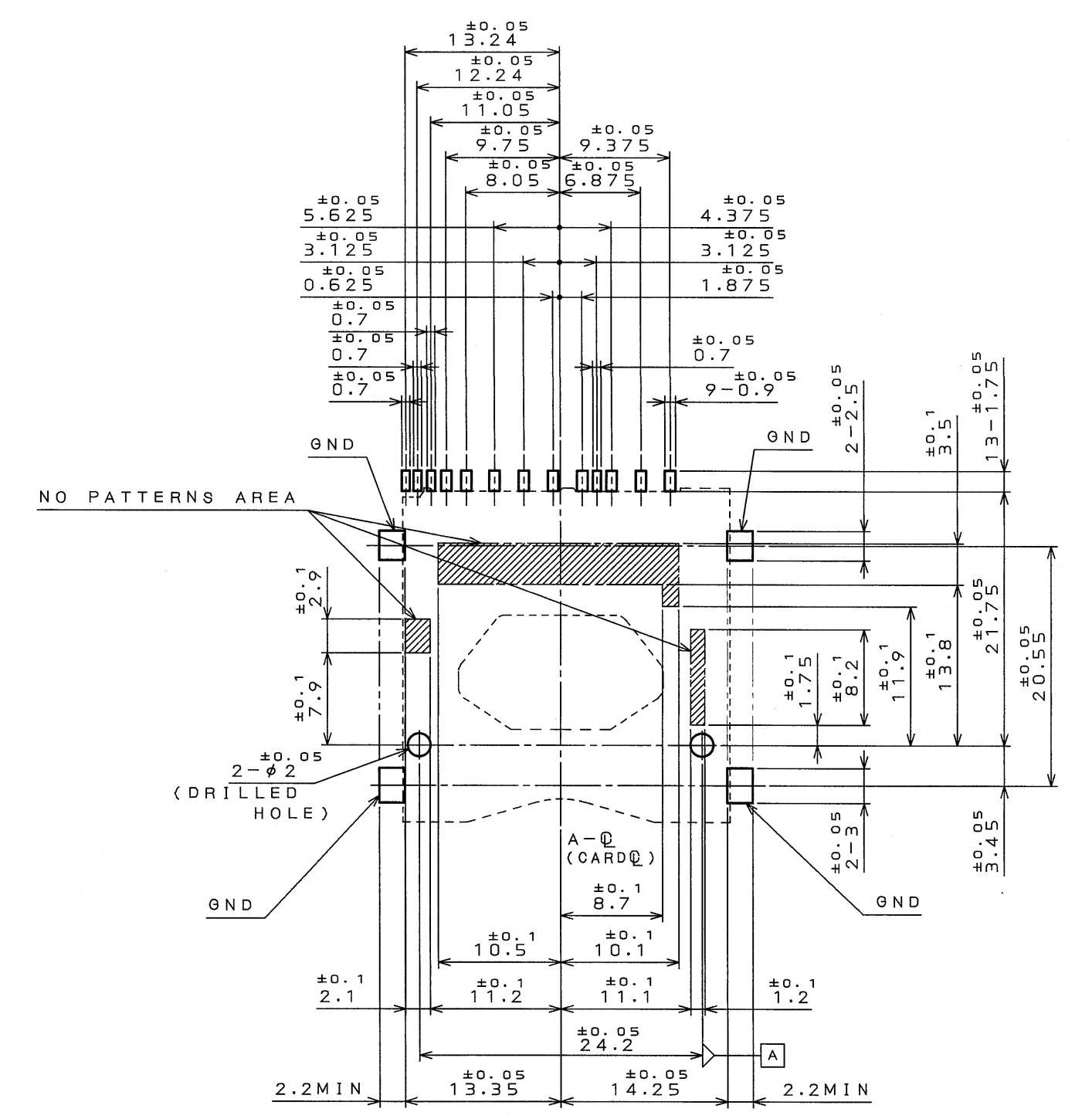
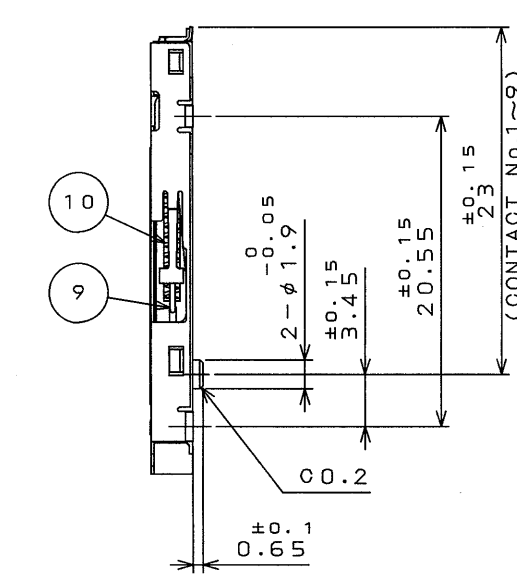
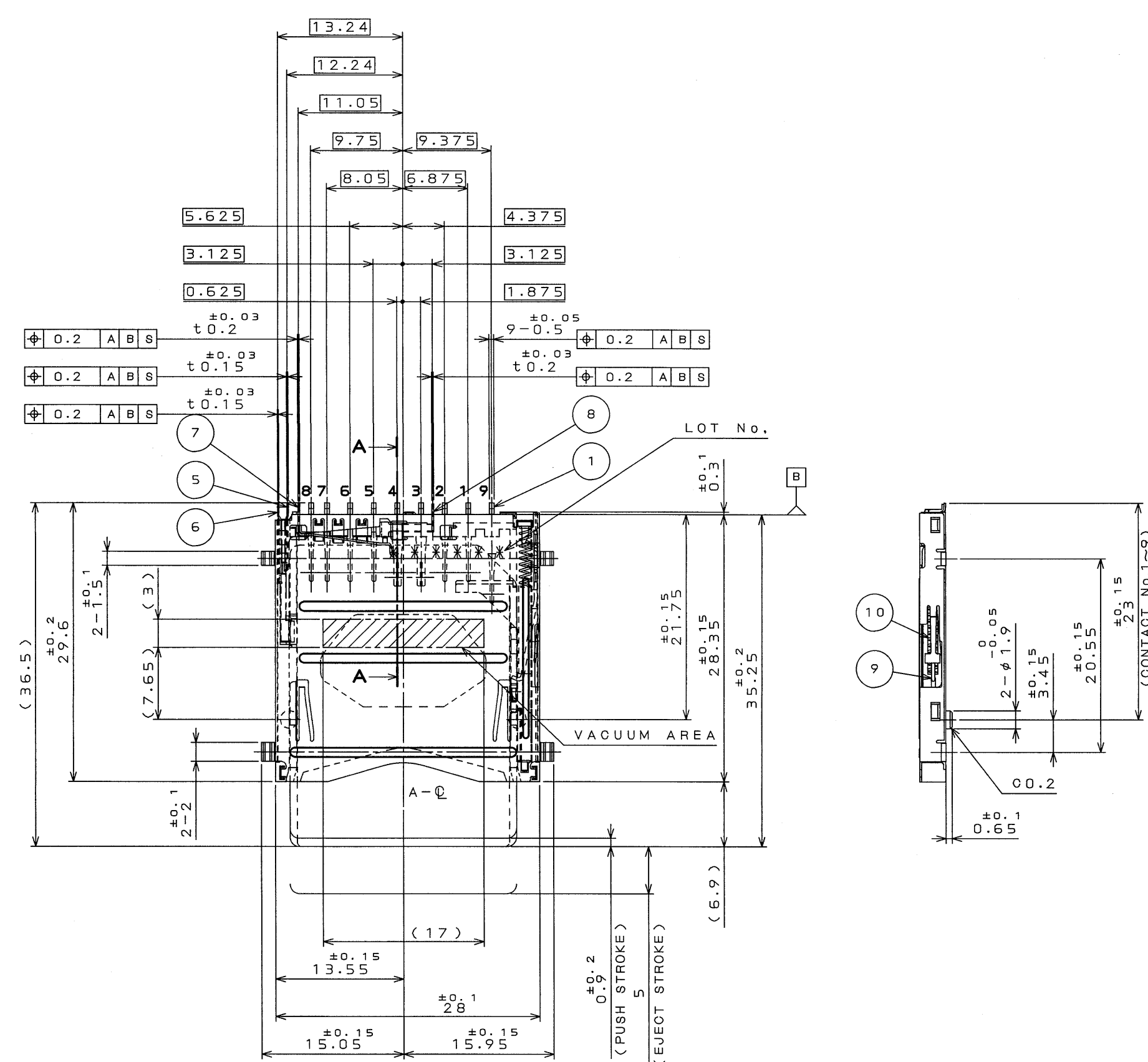


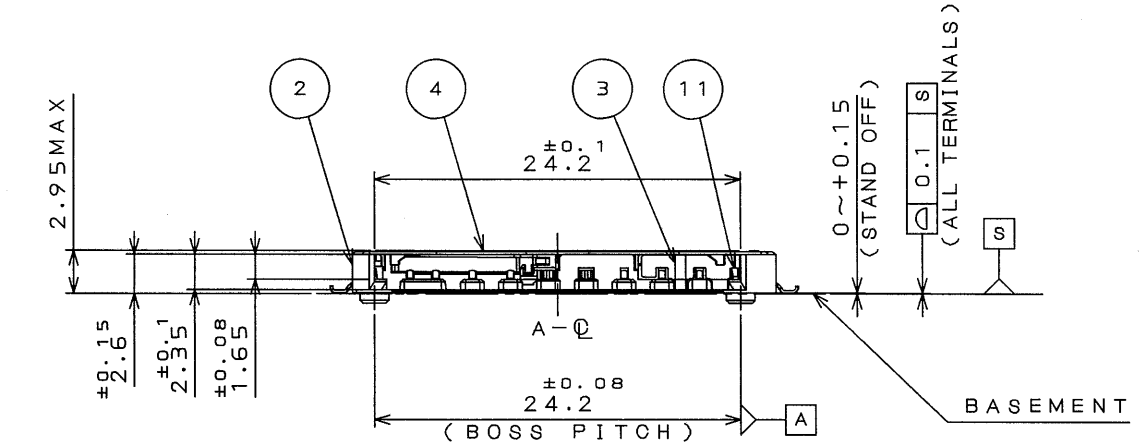
版数 REV.	年月日 DATE	CON NO.	変更内容 DESCRIPTION	製図 DR.	担当 CHK.	査閲 APPD.	承認 APPD.



SECT. A-A (SCALE 5:1)



APPLICABLE P.C.B. DIMENSION (REF.)
適合基板寸法 (参考)



NOTE1.Card Frictional locking function is available for inserted SD card only but not for MMC.
NOTE2.The thickness of reinforcement board is 0.6MIN, when the product will mount on FPC.
NOTE3.CIRCUIT(TABLE.1)(REFERENCE)
注1.カードロック機能は、SDカードのみの対応と致します。(MMCでは作動しません)
注2.FPC搭載時の補強板厚は0.6以上とする。
注3.回路図(表1)(参考)

TABLE 1.CIRCUIT(REF.)

	WITHOUT CARD	CARD INSERTED	
		WRITE PROTECT: LOCK	WRITE PROTECT: UNLOCK
PROTECT SWITCH	5 --- 6 GND	5 --- 6 GND	5 --- 6 GND
DETECTION SWITCH	7 --- 8 GND	7 --- 8 GND	

11	CARD LOCK	1	STAINLESS	
10	SPRING	1	PIANO WIRE	ZINC PLATING
9	CAM FOLLOWER	1	STAINLESS	
8	DETECTION SWITCH CONTACT2	1	COPPER ALLOY	CONTACTING AREA:GOLD OVER NICKEL TERMINAL AREA:GOLD FLASH OVER NICKEL
7	DETECTION SWITCH CONTACT1	1	COPPER ALLOY	CONTACTING AREA:GOLD OVER NICKEL TERMINAL AREA:GOLD FLASH OVER NICKEL
6	PROTECT SWITCH CONTACT2	1	COPPER ALLOY	CONTACTING AREA:GOLD OVER NICKEL TERMINAL AREA:GOLD FLASH OVER NICKEL
5	PROTECT SWITCH CONTACT1	1	COPPER ALLOY	CONTACTING AREA:GOLD OVER NICKEL TERMINAL AREA:GOLD FLASH OVER NICKEL
4	COVER FRAME (WITH HOLD DOWN)	1	STAINLESS	REFLOW TIN PLATING
3	EJECT BAR	1	GLASS FILLED NY	UL94 V-0
2	HOUSING	1	GLASS FILLED LCP	UL94 V-0
1	CONTACT	9	COPPER ALLOY	CONTACTING AREA:GOLD OVER NICKEL TERMINAL AREA:GOLD FLASH OVER NICKEL

仕様書 (SPECIFICATION) JACS-1666	第1版 (ORIGINAL DATE) 11.Apr.2002	図名 (TITLE) Reference	図番 (DRAWING NO.) SJ036792
製図 DR. 担当 CHK. 査閲 APPD. 承認 APPD.	J.MOTOJIMA	K. Syahi	

DOF-0-213D (99.02)

CD802-170-10101B

SIZE A2

