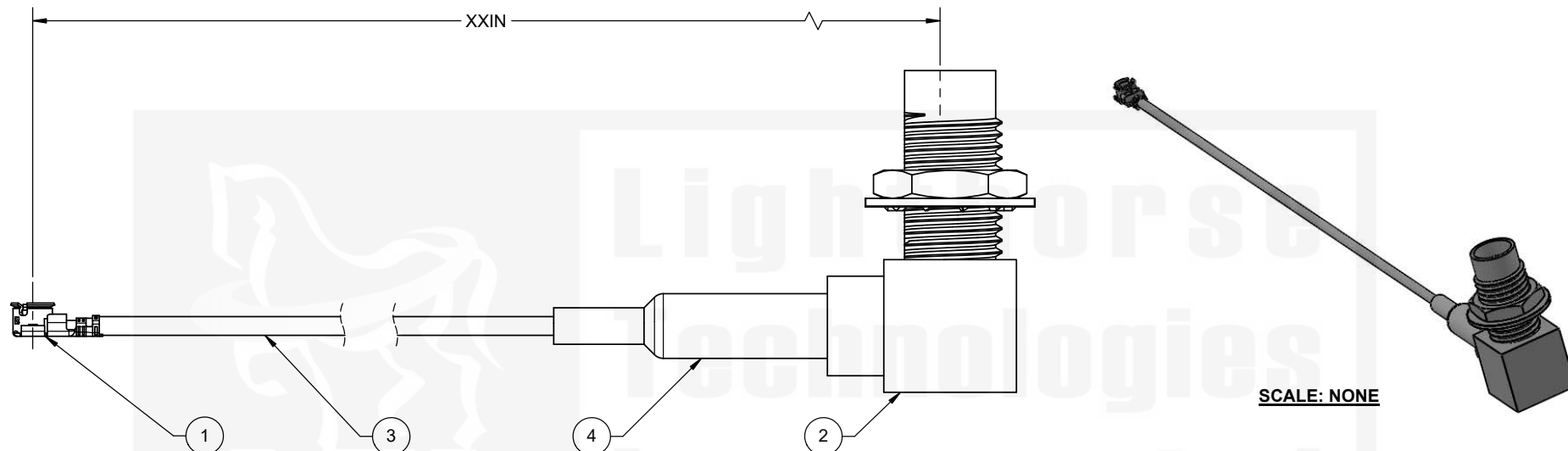


-XX IN THE ENDING OF THE CABLE PART NUMBER IS CALLING OUT THE LENGTH OF THE ASSEMBLY FROM CENTER TO MATING FLANGE OF CONNECTORS. EXAMPLES SHOWN BELOW:

LTI P/N: CB1.17LL-IPX-SALF3GT-4IN (4 INCHES)  
 CB1.17LL-IPX-SALF3GT-10IN (10 INCHES)



SCALE: NONE

ITEM	PART NUMBER	DESCRIPTION	QTY
1	IPXLF11GPB-113	IPX (MHF1), RHT ANGLE, JACK, CABLE CRIMP (I-PEX 20278-112R-13)	1
2	SALF13RGT-316	SMA, RIGHT ANGLE, JACK, BLKHD MNT, CABLE CRIMP	1
3	1.17LL MICRO COAX	CABLE, 1.17LL LOW LOSS MICRO COAX, GRAY	AR
4	1635F-1/8"	.125 (1/8) DIA, .75 LENGTH, GREEN	1

REVISIONS				
REV	ECR	DESCRIPTION	DRAWN	DATE
1		PRODUCTION RELEASE	M. LARSEN	08/08/2022

IPX® AND MHF® ARE REGISTERED TRADEMARKS OF I-PEX CO., LTD. CORPORATION

DO NOT SCALE DRAWING			Lighthouse Technologies		
TOLERANCES UNLESS OTHERWISE SPECIFIED			San Diego, CA WWW.IPCONNECTOR.COM		
DIMENSIONS ARE IN MILLIMETERS		 THIRD ANGLE PROJECTION	TITLE: CABLE ASSEMBLY, IPX (MHF1), R/A JACK, CRIMP TO SMA, R/A JACK, BLKHD MNT, CRIMP USING 1.17LL (LOW LOSS) MICRO COAX, GRAY		
X = ±0.5 XX = ±0.25 XXX = ±0.13 ANGLE = ±30°			SIZE	PART/DWG. NO:	REV
CUSTOMER APPROVAL			B	CB1.17LL-IPX-SALF3GT-xxIN	A
SIGN / DATE:		SCALE: 4:1		FILE NAME	
ENG APPR.	P. BURDGE	08/08/2022		SHEET 1 OF 1	
CHECKED	M. HELD	08/08/2022			
DRAWN	M. LARSEN	08/08/2022			
NAME	DATE				

PROPRIETARY AND CONFIDENTIAL

UNLESS OTHERWISE SPECIFIED: THIS DOCUMENT CONTAINS LIGHTHORSE TECHNOLOGIES INFORMATION. REPRODUCTION, USE, DISCLOSURE OR TRANSMITTAL OF ALL OR ANY PART OF THIS DOCUMENT IS PROHIBITED EXCEPT TO THE EXTENT APPROVED IN WRITING BY AN AUTHORIZED REPRESENTATIVE OF LIGHTHORSE TECHNOLOGIES. LIGHTHORSE TECHNOLOGIES RESERVES ALL RIGHTS UNDER PATENTS, TRADEMARKS, COPYRIGHTS AND TRADE SECRETS. COPY RIGHTS OF LIGHTHORSE TECHNOLOGIES 2011, ALL RIGHTS RESERVED.



6 5 4 3 2 1