



617-960 MHz / 1350-2700 MHz / 3300-3800 MHz /  
4900-6000 MHz Low PIM Rated HH-pol MIMO Omni Antenna,  
Low Profile, 2 x Type N Female Connector

## Antennas Technical Data Sheet

PE51218

### Features

- Low Passive Intermodulation (PIM) <-153 dBc @ 2x20W
- 2 x Horizontal Polarization for MIMO
- Low Profile 3/4" thick antenna
- Two N Female connector with 12 inch pigtails
- Covers all sub 6 GHz 5G frequency bands including 600 MHz and extended CBRS

### Applications

- Indoor distribution of 5G, LTE, GSM/CDMA
- In-building public or private networks
- LPWAN, LoRA, LTE-M, NB-IoT, IoT, M2M applications
- MIMO DAS (Distributed Antenna Systems)
- Discrete Ceiling Mounts

### Description

The PE51218 from Pasternack is a high performance, low PIM rated, MIMO ceiling mount omnidirectional antenna designed for in-building Distributed Antenna System (DAS) Networks. The PE51218 operates from 617 to 6000 MHz which is ideal for 5G, LTE, CDMA, LPWAN/IoT/M2M applications including LoRA, LTE-M, and NB-IOT. The Multi-Band design of the Pasternack PE51218 antenna eliminates the need to purchase different antennas for each frequency. The same antenna can be used for a wide array of in-building wireless applications where wide coverage is desired. Pasternack's PE51218 can be used to distribute Cellular and WiFi signals throughout a building or area.

The omnidirectional antenna with 2xhorizontal polarization PE51218 from Pasternack has Type N connectors and 1.5-6 dBi of gain. The key to providing the best performance in telecommunications is to ensure the components used are low PIM rated. This helps meet the increasing demand for higher data rates and the ability to provide streaming video for mobile devices. With a low PIM rating of <-150 dBc, the 617-6000 MHz PE51218 helps meets the most demanding PIM requirements for 5G and LTE/4G bands.

The Type N connectorized PE51218 antenna from Pasternack excels in large open areas such as indoor courtyards, indoor sporting venues, convention centers and shopping malls. The mounting bracket and hardware are included for easy installation. Our Pasternack ISO 9001:2008 registered facilities in Irvine, CA ships all Type N RF, microwave and millimeter wave waveguide components from stock the same day you purchase them. Pasternack offers the broadest and deepest in-stock inventory and is where to buy 5G antennas. Our expert technical support and friendly, knowledgeable customer service personnel are available to assist you with your particular needs for MIMO ceiling mount omnidirectional 5G cellular antennas.

### Configuration

Design	Ceiling
Band Type	Wide
Radiation Pattern	Omni Directional
Polarization	Linear/Horizontal
Connector Type	N Female
Interface 2	N Female
Number of Ports	2

### Electrical Specifications

Description	Minimum	Typical	Maximum	Units
Frequency Range	617		6000	MHz
Input VSWR			1.8:1	

Click the following link (or enter part number in "SEARCH" on website) to obtain additional part information including price, inventory and certifications: [617-960 MHz / 1350-2700 MHz / 3300-3800 MHz / 4900-6000 MHz Low PIM Rated HH-pol MIMO Omni Antenna, Low Profile, 2 x Type N Female Connector PE51218](#)



617-960 MHz / 1350-2700 MHz / 3300-3800 MHz /  
4900-6000 MHz Low PIM Rated HH-pol MIMO Omni Antenna,  
Low Profile, 2 x Type N Female Connector

## Antennas Technical Data Sheet

PE51218

Impedance	50		Ohms
Gain	1.5	6	dBi
Input Power		50	Watts
Passive Intermodulation 3rd Order, 2 x 20 W	-153		

### Specifications by Band

Description	Band 1	Band 2	Band 3	Band 4	Band 5	Units
Range	0.617 to 0.96	1.35 to 1.55	1.69 to 2.7	3.3 to 3.8	4.9 to 6	GHz
Gain	2.2	3.5	4.5	6	6	dBi
Port to Port Isolation	16	18	20	30	30	dB
VSWR Max	1.8:1	1.8:1	1.8:1	1.8:1	1.8:1	

### Mechanical Specifications

Radome Material ABS

#### Size

Overall Length 10.47 in [265.94 mm]  
Width 10.47 in [265.94 mm]  
Height 0.71 in [18.03 mm]  
Weight 1.1 lbs [498.95 g]

### Environmental Specifications

#### Temperature

Operating Range -55 to +60 deg C  
Humidity < 95

**Compliance Certifications** (see [product page](#) for current document)

### Plotted and Other Data

Notes:

Click the following link (or enter part number in "SEARCH" on website) to obtain additional part information including price, inventory and certifications: [617-960 MHz / 1350-2700 MHz / 3300-3800 MHz / 4900-6000 MHz Low PIM Rated HH-pol MIMO Omni Antenna, Low Profile, 2 x Type N Female Connector PE51218](#)



617-960 MHz / 1350-2700 MHz / 3300-3800 MHz /  
4900-6000 MHz Low PIM Rated HH-pol MIMO Omni Antenna,  
Low Profile, 2 x Type N Female Connector

## Antennas Technical Data Sheet

PE51218

617-960 MHz / 1350-2700 MHz / 3300-3800 MHz / 4900-6000 MHz Low PIM Rated HH-pol MIMO Omni Antenna, Low Profile, 2 x Type N Female Connector from Pasternack Enterprises has same day shipment for domestic and International orders. Our RF, microwave and millimeter wave products maintain a 99.4% availability and are part of the broadest selection in the industry.

Click the following link (or enter part number in "SEARCH" on website) to obtain additional part information including price, inventory and certifications: [617-960 MHz / 1350-2700 MHz / 3300-3800 MHz / 4900-6000 MHz Low PIM Rated HH-pol MIMO Omni Antenna, Low Profile, 2 x Type N Female Connector PE51218](https://www.pasternack.com/617-mhz-6000-mhz-indoor-5g-mimo-omni-antenna-1.5-6-dbi-low-pim-low-profile-hh-polarization-n-female-connector-hg65806dpcupr-nf-p.aspx)

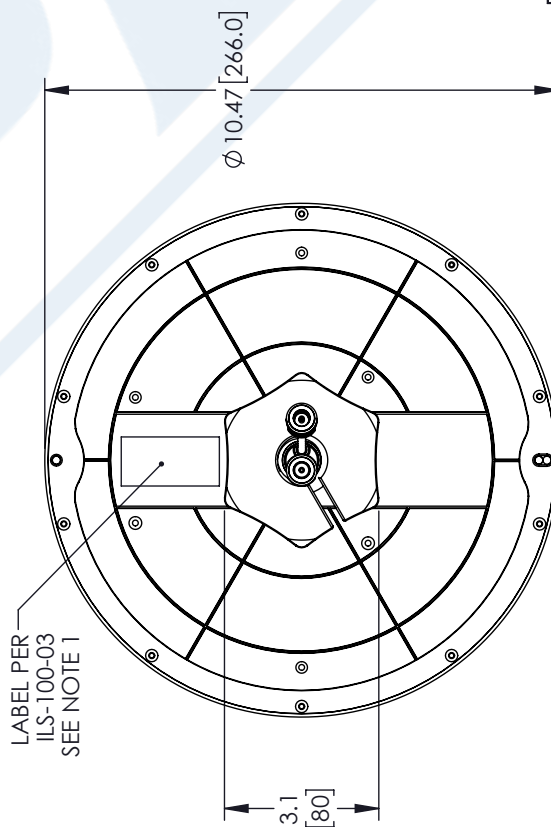
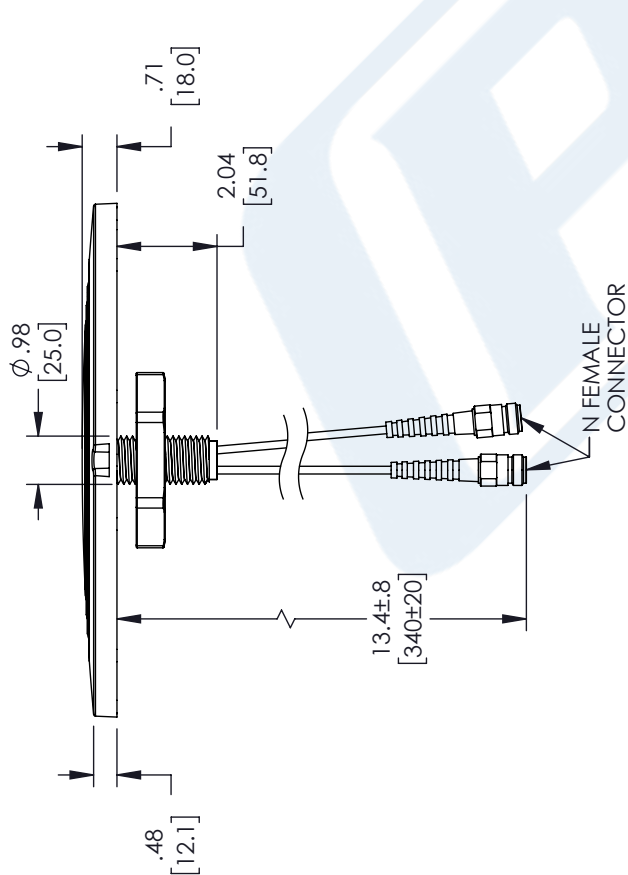
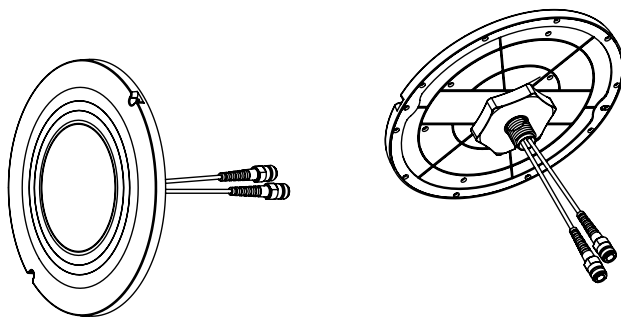
URL: <https://www.pasternack.com/617-mhz-6000-mhz-indoor-5g-mimo-omni-antenna-1.5-6-dbi-low-pim-low-profile-hh-polarization-n-female-connector-hg65806dpcupr-nf-p.aspx>

The information contained in this document is accurate to the best of our knowledge and representative of the part described herein. It may be necessary to make modifications to the part and/or the documentation of the part, in order to implement improvements. Pasternack reserves the right to make such changes as required. Unless otherwise stated, all specifications are nominal. Pasternack does not make any representation or warranty regarding the suitability of the part described herein for any particular purpose, and Pasternack does not assume any liability arising out of the use of any part or documentation.

# PE51218 CAD Drawing

617-960 MHz / 1350-2700 MHz / 3300-3800 MHz / 4900-6000 MHz Low PIM  
 Rated HH-pol MIMO Omni Antenna, Low Profile, 2 x Type N Female Connector

REVISIONS			
REV.	DESCRIPTION	DATE	APPROVED
A	INITIAL RELEASE	04/19/2021	KHIETPAS



**NOTES:**

1. LABEL PER ILS-100-03 (FOR INTERNAL REFERENCE ONLY)  
 LABEL LOCATION FOR REFERENCE ONLY.

THESE COMMODITIES, TECHNOLOGY OR SOFTWARE WERE EXPORTED FROM THE UNITED STATES IN ACCORDANCE WITH THE EXPORT ADMINISTRATION REGULATIONS. DIVERSION CONTRARY TO U.S. LAW PROHIBITED.

UNLESS OTHERWISE SPECIFIED  
 LEADING DIMENSIONS ARE INCHES  
 DIMENSIONS IN [ ] ARE MILLIMETERS

TOLERANCES:  
 .X = ±.2 [5.08] FRACTIONS ± 1/32  
 .XX = ±.02 [ .51] ANGLES ± 1°  
 .XXX = ±.005 [ .13] CABLE LENGTH (L), TOLERANCES:  
 L ≤ 12 [305] = +1 [25] / -0  
 12 [305] < L ≤ 60 [1524] = +2 [51] / -0  
 60 [1524] < L ≤ 120 [3048] = +4 [102] / -0  
 120 [3048] < L ≤ 300 [7620] = +6 [152] / -0  
 300 [7620] < L = +5% / -0

ALL DIMENSIONS SHOWN  
 ARE FOR REFERENCE ONLY.



Pasternack Enterprises, Inc.  
 P. O. Box 16759, Irvine, CA 92623.  
 Phone: 1.949.261.1920 | 1.866.727.8376  
 Fax: 1.949.261.7451  
 Website: www.pasternack.com  
 E-mail: sales@pasternack.com

THIRD-ANGLE PROJECTION	THE INFORMATION AND DESIGN IN THIS DOCUMENT IS THE PROPERTY OF PASTERNAK CORPORATION ALL RIGHTS RESERVED.
SCALE	1 OF 1
REV	N/A
ITEM NO.	PE51218