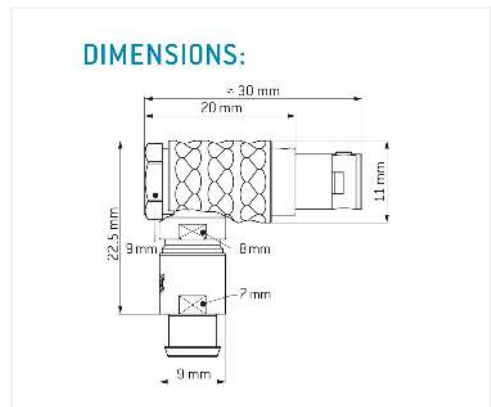


W20LOC-P09MCCO-560S
series_I, type_w2



General information

Part number	W20LOC-P09MCCO-560S
Termination	solder
Size	0
Locking principle	push
Coding	0_key
Cable Diameter	cable_mini_56
Cable outlet	bend_relief



Contact insert description

Number of contacts	9
Contact type	pins
Contact diameter	0.5mm
Insulator material	peek
Wire cross section	28_awg
Termination	solder
Termination diameter	0.4mm

reverse_gender_on_request

Technical information

Max. creepage and air clearance distance	0.4 mm	0.8 mm
Nominal current single contact	0.4_a	iec_60512_5_2
Nominal current insert	2,6 A	vde_0298_4
Test voltage	0.6 kv_ac	sae_13441

safety_text

Mechanical and environmental data

Degree of protection*	ip50
-----------------------	------

Operating temperature	40_120_c
-----------------------	----------

Mating cycles	5000
---------------	------

mated_unmated

Material and surface treatments

Housing	m_chrome
---------	----------

Contact	cu_alloy_gold
---------	---------------

safety_text_2

ul_text

illustrative_text