

2307526-1 ✓ ACTIVE

NECTOR | NECTOR M Series

TE Internal #: 2307526-1

Standard Circular Connectors, Wire-to-Board, 7 Position, Sealable, Power, A Polarization Code, PBT GF, 7 Power Positions, NECTOR M Series

[View on TE.com >](#)



Connectors > Circular Connectors > Standard Circular Connectors



Connector System: **Wire-to-Board**

Number of Positions: **7**

Sealable: **Yes**

Circuit Application: **Power**

Reverse Gender: **No**

Features

Product Type Features

Product Type	Connector Assembly
Connector System	Wire-to-Board
Sealable	Yes
Circular Connector Type	Receptacle

Configuration Features

Number of Positions	7
Number of Power Positions	7
Contacts Preloaded	Yes

Electrical Characteristics

Operating Voltage	400 VAC
-------------------	---------

Body Features

Circular Connector Insulation Material Type	PBT GF
---------------------------------------------	--------

Contact Features

--	--



Reverse Gender	No
----------------	----

Circular Connector Contact Type	Socket
---------------------------------	--------

Mechanical Attachment

Polarization Code	A
-------------------	---

Mating Alignment Type	Polarization
-----------------------	--------------

Usage Conditions

IP Water Sealing Level	IP67
------------------------	------

IP Dust Sealing Level	6
-----------------------	---

Operating Temperature Range	-40 – 100 °C[-40 – 212 °F]
-----------------------------	----------------------------

Operation/Application

Circuit Application	Power
---------------------	-------

Shielded	No
----------	----

Industry Standards

UL Flammability Rating	UL 94V-0
------------------------	----------

Product Compliance

[For compliance documentation, visit the product page on TE.com>](#)

EU RoHS Directive 2011/65/EU	Compliant with Exemptions
------------------------------	---------------------------

EU ELV Directive 2000/53/EC	Compliant with Exemptions
-----------------------------	---------------------------

China RoHS 2 Directive MIIT Order No 32, 2016	Restricted Materials Above Threshold
-----------------------------------------------	--------------------------------------

EU REACH Regulation (EC) No. 1907/2006	<p>Current ECHA Candidate List: JUNE 2023 (235) Candidate List Declared Against: JAN 2023 (233) SVHC > Threshold: Pb (1.6% in Component Part)</p>
----------------------------------------	---------------------------------------------------------------------------------------------------------------------------------------------------------------------

Article Safe Usage Statements:

Do not eat, drink or smoke when using this product. Wash thoroughly after handling. Recycle if possible and dispose of the article by following all applicable governmental regulations relevant to your geographic location.

Halogen Content	Not Low Halogen - contains Br or Cl > 900 ppm.
-----------------	------------------------------------------------

Solder Process Capability	Not reviewed for solder process capability
---------------------------	--------------------------------------------

Product Compliance Disclaimer

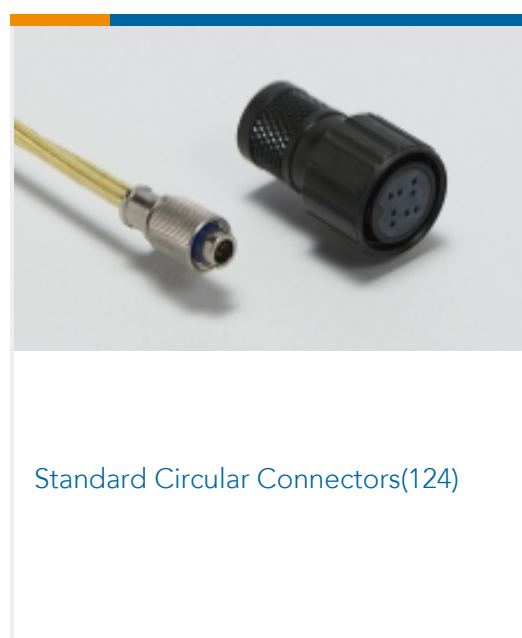
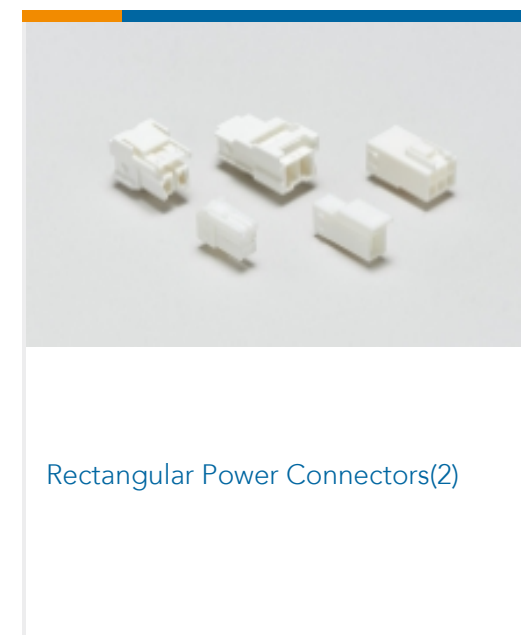
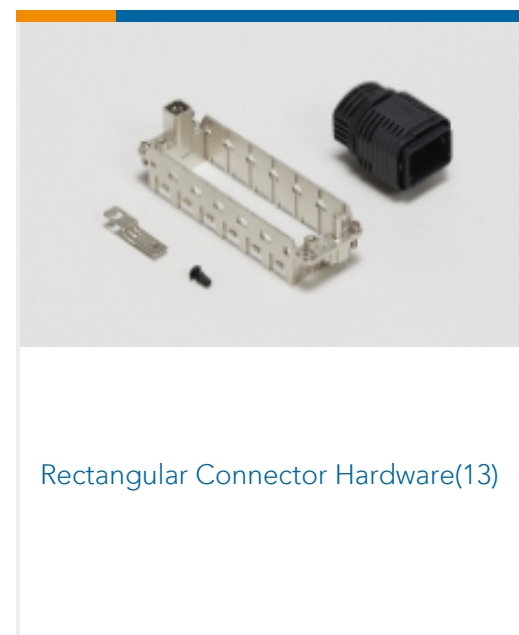
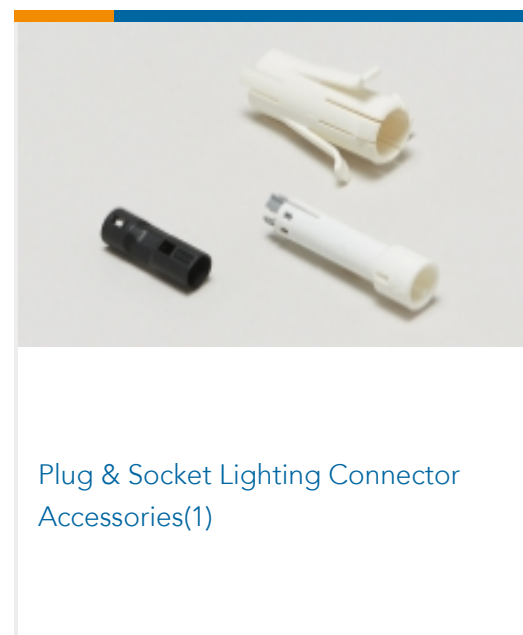
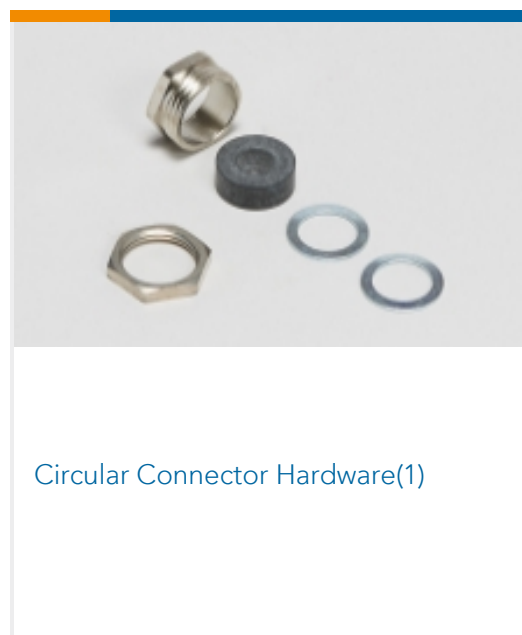
This information is provided based on reasonable inquiry of our suppliers and represents our current actual knowledge based on the information they provided. This information is subject to change. The part numbers that TE has identified as EU RoHS compliant have a maximum concentration of 0.1% by weight in homogenous materials for lead, hexavalent chromium, mercury, PBB, PBDE, DBP, BBP, DEHP, DIBP, and 0.01% for cadmium, or qualify for an exemption to these limits as defined in the Annexes of Directive 2011/65/EU (RoHS2). Finished electrical and electronic equipment products

will be CE marked as required by Directive 2011/65/EU. Components may not be CE marked. Additionally, the part numbers that TE has identified as EU ELV compliant have a maximum concentration of 0.1% by weight in homogenous materials for lead, hexavalent chromium, and mercury, and 0.01% for cadmium, or qualify for an exemption to these limits as defined in the Annexes of Directive 2000/53/EC (ELV). Regarding the REACH Regulation, the information TE provides on SVHC in articles for this part number is based on the latest European Chemicals Agency (ECHA) 'Guidance on requirements for substances in articles' posted at this URL: <https://echa.europa.eu/guidance-documents/guidance-on-reach>

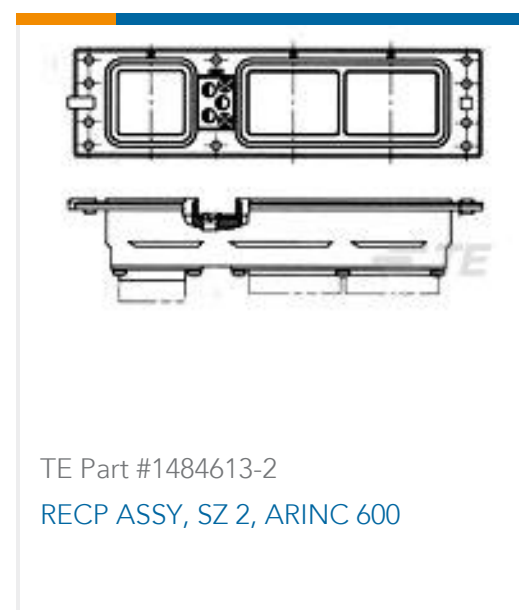
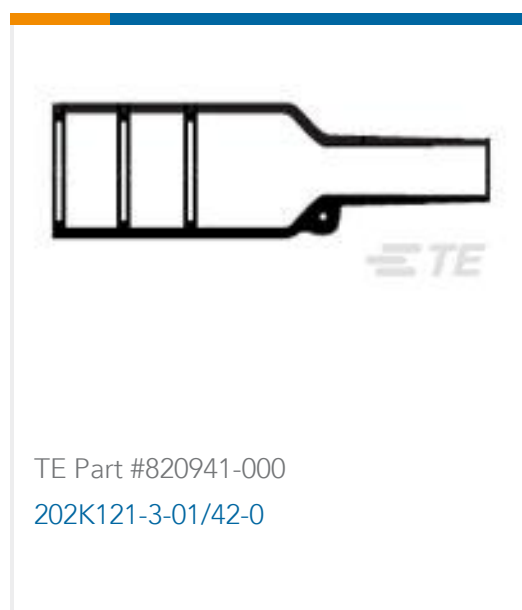
Compatible Parts



Also in the Series | NECTOR M Series



Customers Also Bought





Documents

Product Drawings

NECTOR M 7P SEALED SOCKET PCB CODE A

English

CAD Files

Customer View Model

[ENG_CVM_CVM_2307526-1_A.3d_igs.zip](#)

English

Customer View Model

[ENG_CVM_CVM_2307526-1_A.3d_stp.zip](#)

English

Customer View Model

[ENG_CVM_CVM_2307526-1_A.2d_dxf.zip](#)

English

3D PDF

3D

By downloading the CAD file I accept and agree to the [Terms and Conditions](#) of use.

Agency Approvals

NECTOR M CONNECTORS CB TEST CERTIFICATE TO IEC 61535

English

NECTOR M CONNECTORS CB TEST REPORT TO IEC 61535

English