

# HC-COM-Q08-I-PT-F - Contact insert



1079554

<https://www.phoenixcontact.com/us/products/1079554>

Please be informed that the data shown in this PDF document is generated from our online catalog. Please find the complete data in the user documentation. Our general terms of use for downloads are valid.



Contact insert, number of positions: 8+PE, size: COM, power contacts: 8, control contacts: 0, number of connections per position: 1, Socket, Push-in connection, 320 V, 16 A, 0.5 mm<sup>2</sup> ... 2.5 mm<sup>2</sup>, application: Power

## Product description

Contact insert, incl. 4 mounting screws

## Your advantages

- Easy installation without tools, even when mounted, with push-in connection technology
- Shortest installation time compared to other connection technologies
- Quick and effortless wiring, in particular when space is tight
- Automatic cabling with robots possible
- Safe wiring and operation with color-coded actuators
- Shock and vibration-resistant in accordance with DIN EN 61373
- Cost-effective and fast coding with plastic profiles

## Commercial data

Item number	1079554
Packing unit	1 pc
Minimum order quantity	1 pc
Sales key	BF61
Product key	BF7ABH
Catalog page	Page 649 (C-2-2019)
GTIN	4055626800325
Weight per piece (including packing)	36.7 g
Weight per piece (excluding packing)	36 g
Customs tariff number	85366990
Country of origin	CN

# HC-COM-Q08-I-PT-F - Contact insert



1079554

<https://www.phoenixcontact.com/us/products/1079554>

## Technical data

### Notes

General	for flexible conductors with or without ferrules
General	Connectors may be operated only when there is no load/voltage.
General	Flexible conductors may be used without ferrules as long as they comply with IEC 60228 Class 1 ... 5. The individual litz wires must have a min. diameter of 0.17 mm.

### Mounting

Assembly instructions	To ensure correct use, installation in housing with IP54 protection or better is required
-----------------------	---

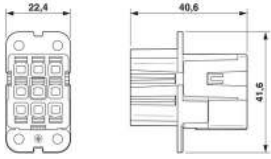
### Product properties

Type	COM
Product type	Contact insert with a fixed no. of positions
Number of positions	8
Connection profile	8+PE
Contact numbering	1 - 8
Application	Power
Number of connections per position	1
No. of power contacts	8
No. of control contacts	0
Contact material type	turned
Series	HC-COM

### Insulation characteristics

Overvoltage category	III
Degree of pollution	3

### Dimensions

Dimensional drawing	
Width	25.6 mm
Height	48.05 mm
Length	45 mm

### Mechanical characteristics

Contact diameter	2.5 mm
------------------	--------

### Connection data

Connection technology

# HC-COM-Q08-I-PT-F - Contact insert



1079554

<https://www.phoenixcontact.com/us/products/1079554>

Connection technology	Push-in connection
Number of connections per position	1
Connection in acc. with standard	IEC / EN

## Conductor connection

Conductor cross section	0.5 mm <sup>2</sup> ... 2.5 mm <sup>2</sup>
Connection cross section AWG	20 ... 14
Stripping length of the individual wire	10 mm (Power)

## Electrical properties

Rated voltage (III/2) contacts	500 V
Rated voltage (III/3)	320 V
Rated voltage for power contacts	500
Rated surge voltage	6 kV
Rated current	16 A

## Mechanical properties

### Mechanical data

Insertion/withdrawal cycles	≥ 500
-----------------------------	-------

## Material specifications

Flammability rating according to UL 94	V0
Contact material	Copper alloy
Contact surface material	Ag
Contact carrier material	PC
Standards/regulations	PC: Fire protection in rail vehicles - requirement sets R22, R23, and R24 acc. to DIN EN 45545-2 (Risk level HL1 - HL3)

## Environmental and real-life conditions

### Ambient conditions

Ambient temperature (operation)	-40 °C ... 125 °C (including heating up of contacts)
---------------------------------	--

## Standards and regulations

### Testing

Standards/regulations	PC: Fire protection in rail vehicles - requirement sets R22, R23, and R24 acc. to DIN EN 45545-2 (Risk level HL1 - HL3)
-----------------------	---

# HC-COM-Q08-I-PT-F - Contact insert

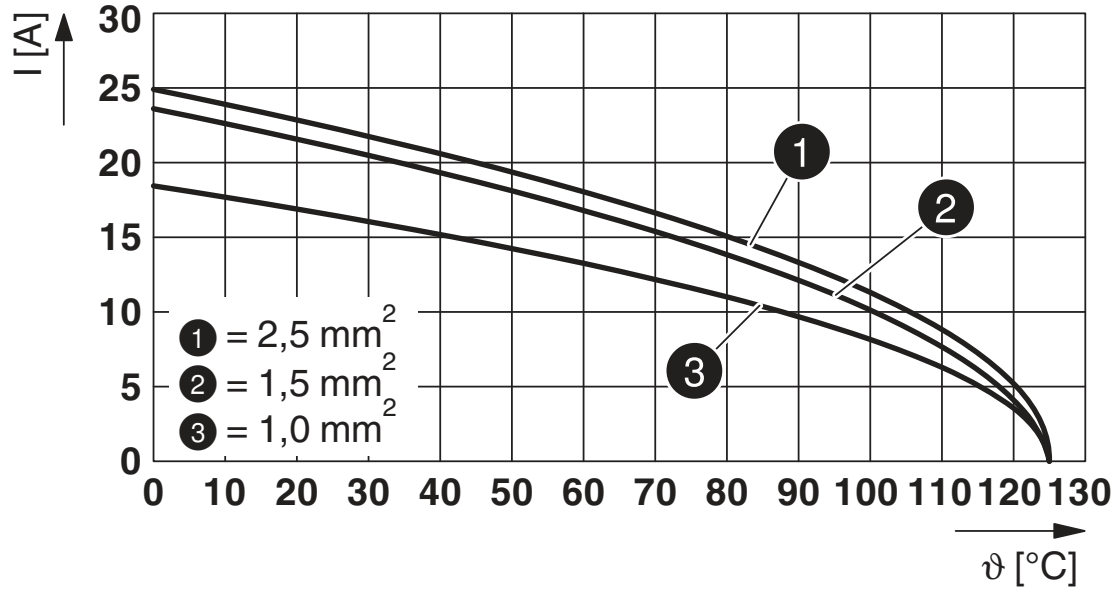


1079554

<https://www.phoenixcontact.com/us/products/1079554>

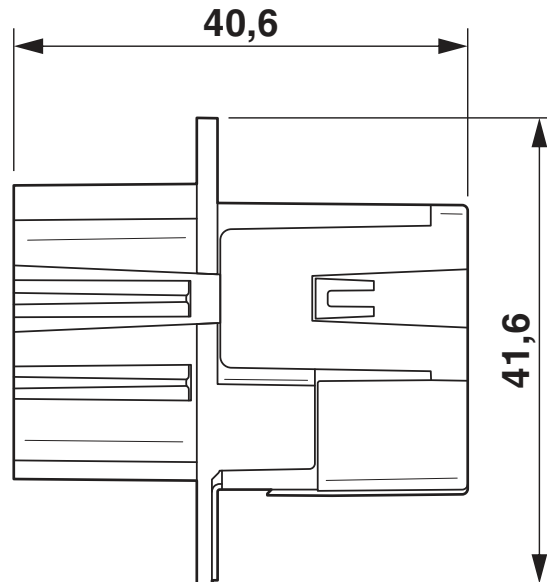
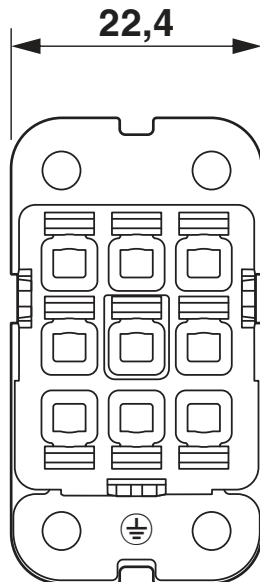
## Drawings

Diagram



Derating diagram

Dimensional drawing



Dimensional drawing

# HC-COM-Q08-I-PT-F - Contact insert



1079554

<https://www.phoenixcontact.com/us/products/1079554>

## Classifications

### ECLASS

ECLASS-11.0	27440205
ECLASS-12.0	27440205
ECLASS-13.0	27440205

### ETIM

ETIM 8.0	EC000438
----------	----------

### UNSPSC

UNSPSC 21.0	39121500
-------------	----------

# HC-COM-Q08-I-PT-F - Contact insert



1079554

<https://www.phoenixcontact.com/us/products/1079554>

## Environmental product compliance

China RoHS	Environmentally friendly use period: unlimited = EFUP-e
	No hazardous substances above threshold values

# HC-COM-Q08-I-PT-F - Contact insert

1079554

<https://www.phoenixcontact.com/us/products/1079554>



## Accessories

### CP-HC-S - Coding profile

1410916

<https://www.phoenixcontact.com/us/products/1410916>

Coding profile, for contact inserts HC-BB... / HC-A10... / HC-A16...



---

### HC-CP-CK2.5-PL - Coding element

1095419

<https://www.phoenixcontact.com/us/products/1095419>

Dummy socket for contact carrier with turned CK 2,5-ED... socket contacts. For HC-A../HC-BB../HC-M... series contact inserts.



# HC-COM-Q08-I-PT-F - Contact insert

1079554

<https://www.phoenixcontact.com/us/products/1079554>



## CRIMPFOX CENTRUS 6S - Crimping pliers

1213144

<https://www.phoenixcontact.com/us/products/1213144>



Crimping pliers, for uninsulated and insulated ferrules, DIN 46228 Part 1 and 4, from 0.14 mm<sup>2</sup> ... 6 mm<sup>2</sup>, also for TWIN ferrules up to 2 x 4 mm<sup>2</sup>, automatic cross section adjustment, lateral insertion, equipped with fall protection

---

## CRIMPFOX 6 - Crimping pliers

1212034

<https://www.phoenixcontact.com/us/products/1212034>



Crimping pliers, for ferrules without insulating collar according to DIN 46228 Part 1 and ferrules with insulating collar according to DIN 46228 Part 4, 0.25 mm<sup>2</sup> ... 6.0 mm<sup>2</sup>, lateral entry, trapezoidal crimp



# HC-COM-Q08-I-PT-F - Contact insert

1079554

<https://www.phoenixcontact.com/us/products/1079554>



## CF CRIMPHANDY 0,5 - Electrical crimping tool

1212463

<https://www.phoenixcontact.com/us/products/1212463>



Mobile handheld device, battery-powered, for processing on-tape ferrules 0.5 mm<sup>2</sup> with functional end, suitable for PVC insulated conductors (H05V-K), incl. battery, charger, CUTFOX 12 cable cutter, waste guide plate 2, service tool for error correction, and one strip of ferrules 0.5 mm<sup>2</sup>, packed in a robust case.

---

## CF CRIMPHANDY 0,75 - Electrical crimping tool

1212464

<https://www.phoenixcontact.com/us/products/1212464>



Mobile handheld device, battery-powered, for processing on-tape ferrules 0.75 mm<sup>2</sup> with functional end, suitable for PVC insulated conductors (H05V-K), incl. battery, charger, CUTFOX 12 cable cutter, waste guide plate 2, service tool for error correction, and one strip of ferrules 0.75 mm<sup>2</sup>, packed in a robust case.

# HC-COM-Q08-I-PT-F - Contact insert

1079554

<https://www.phoenixcontact.com/us/products/1079554>



## CF CRIMPHANDY 1,0 - Electrical crimping tool

1212465

<https://www.phoenixcontact.com/us/products/1212465>



Mobile handheld device, battery-powered, for processing on-tape ferrules 1.0 mm<sup>2</sup> with functional end, suitable for PVC insulated conductors (H05V-K), incl. battery, charger, CUTFOX 12 cable cutter, waste guide plate 2, service tool for error correction, and one strip of ferrules 1.0 mm<sup>2</sup>, packed in a robust case.

---

## CF CRIMPHANDY 1,5 - Electrical crimping tool

1212466

<https://www.phoenixcontact.com/us/products/1212466>



Mobile handheld device, battery-powered, for processing on-tape ferrules 1.5 mm<sup>2</sup> with functional end, suitable for PVC insulated conductors (H07V-K), incl. battery, charger, CUTFOX 12 cable cutter, waste guide plate 2, service tool for error correction, and one strip of ferrules 1.5 mm<sup>2</sup>, packed in a robust case.

# HC-COM-Q08-I-PT-F - Contact insert

1079554

<https://www.phoenixcontact.com/us/products/1079554>



## HC-COM-Q08-I-PT-M - Contact insert

1079553

<https://www.phoenixcontact.com/us/products/1079553>



Contact insert, number of positions: 8+PE, size: COM, power contacts: 8, control contacts: 0, number of connections per position: 1, Pin, Push-in connection, 320 V, 16 A, 0.5 mm<sup>2</sup> ... 2.5 mm<sup>2</sup>, application: Power

---

Phoenix Contact 2023 © - all rights reserved

<https://www.phoenixcontact.com>

Phoenix Contact USA  
586 Fulling Mill Road  
Middletown, PA 17057, United States  
(+717) 944-1300  
[info@phoenixcon.com](mailto:info@phoenixcon.com)