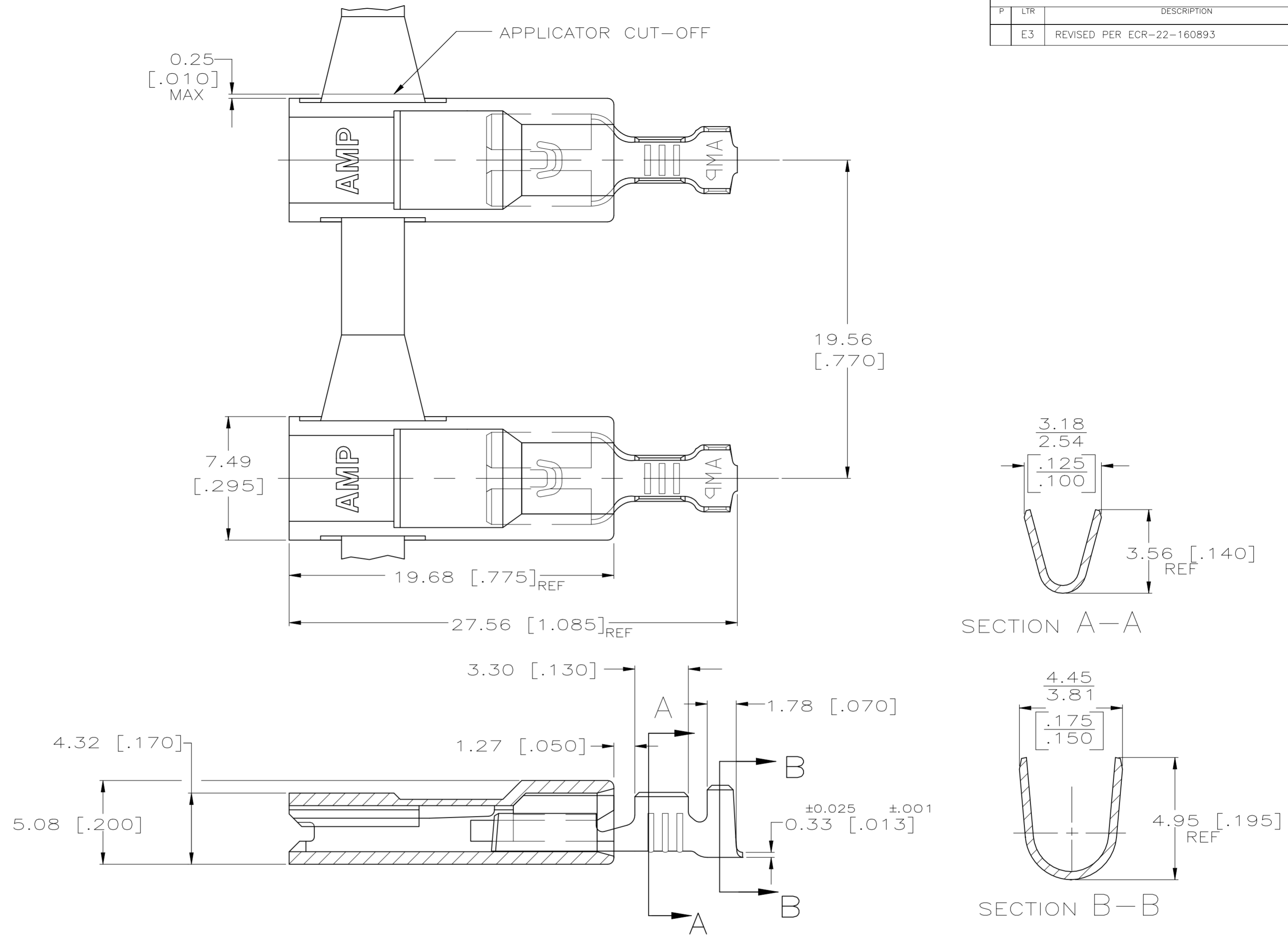


REVISIONS					
P	LTR	DESCRIPTION	DATE	DWN	APVD
E3		REVISED PER ECR-22-160893	14DEC2022	DB	BW



1 FASTON TERMINALS, BASE
P/N 63653, ARE USED IN THIS PRODUCT.

2 TIN PLATE PER MIL-T-10727

3 6/6 VO NYLON

SUPERSEDED	STANDARD	TIN	2.29-3.30	[#20-#16] AWG	0.508 [.020]	521225-2
	-STANDARD		[.090-.130] DIA			521225-1
	PACKAGING	FINISH	INSULATION RANGE	WIRE SIZE	MATING TAB THK ±0.025 [±.001]	PART NO

THIS DRAWING IS A CONTROLLED DOCUMENT.		DWN	JR RUTH	14SEP99		TE Connectivity			
DIMENSIONS: mm [INCHES]		CHK	MS FEHER	14SEP99		NAME			
TOLERANCES UNLESS OTHERWISE SPECIFIED:		APVD	J HUMMEL	14SEP99		ASSEMBLY, RECEPTACLE, ULTRA-POD, 4.8 [.187] SERIES			
0 PLC ± - 1 PLC ± - 2 PLC ± - 3 PLC ± 0.25 [.010] 4 PLC ± - ANGLES ± -		PRODUCT SPEC				SIZE	CAGE CODE	DRAWING NO	
MATERIAL	FINISH	APPLICATION SPEC	114-2124	WEIGHT	0.000000	A2	00779	C=521225	RESTRICTED TO
TERMINAL - BRASS HOUSING -	TERMINAL - SEE TABLE HOUSING - NATURAL	CUSTOMER DRAWING		SCALE	5:1	SHEET	1 of 1	REV	E3