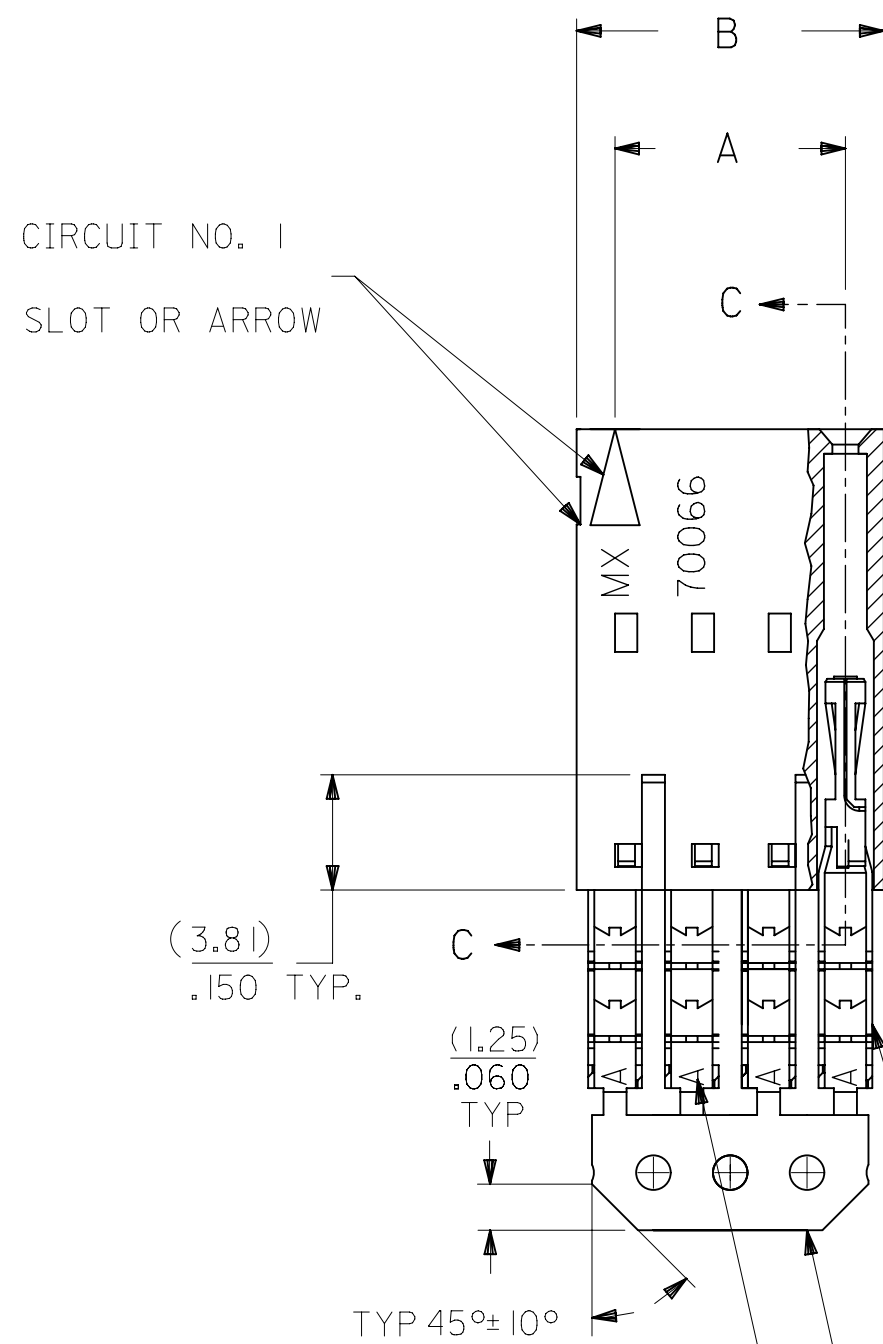
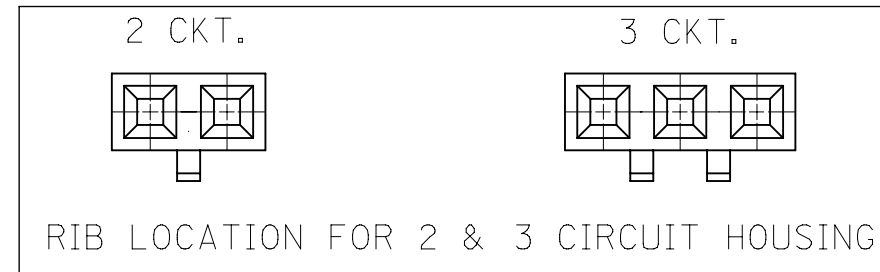
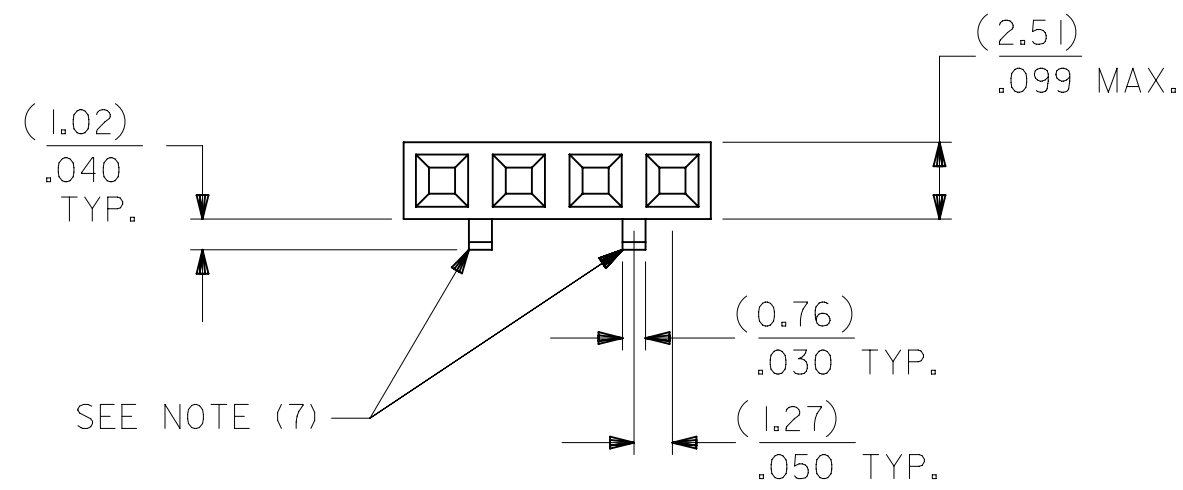


# OPTION D

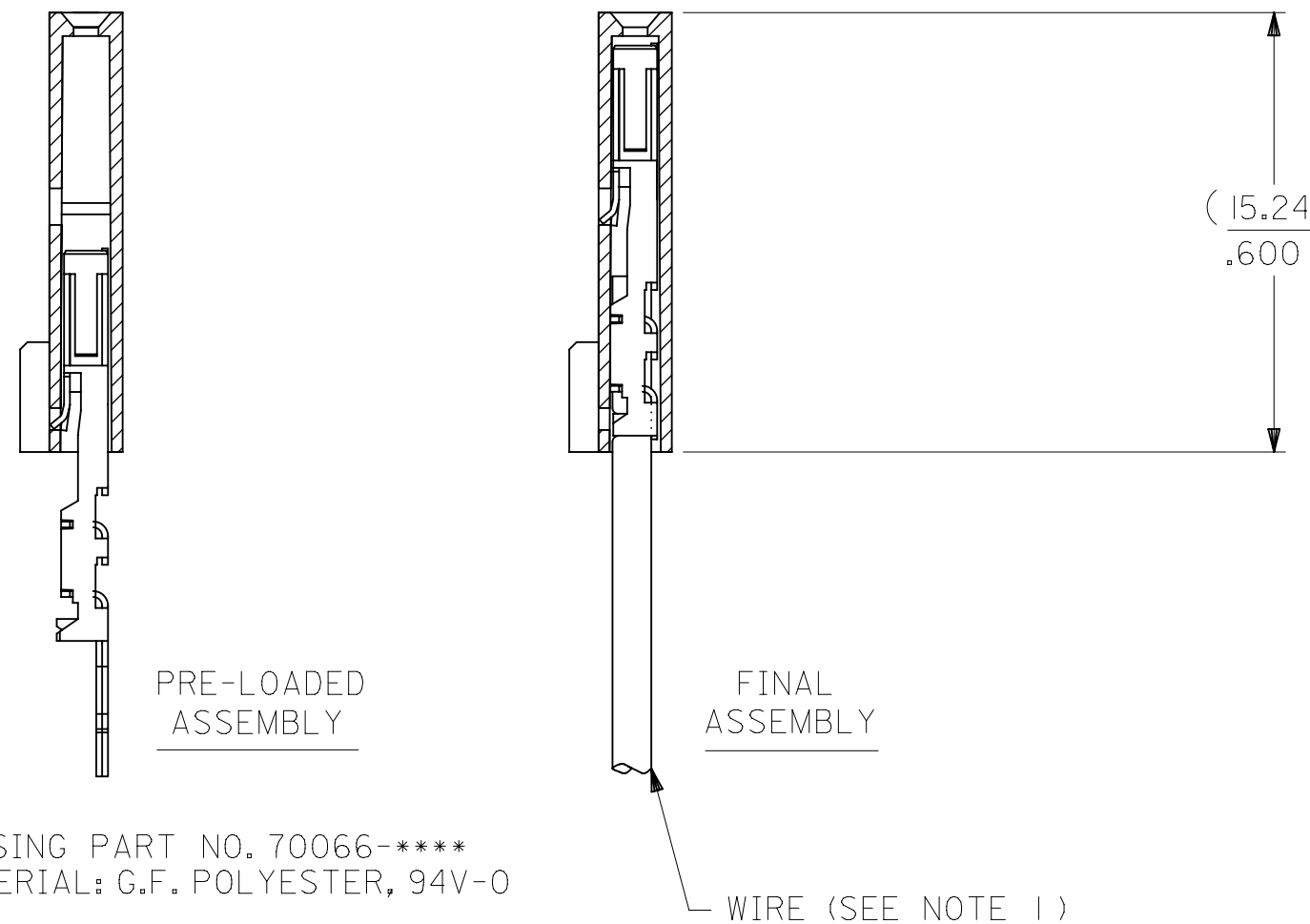
## NOTES:

- 1) TO BE USED WITH (24) AWG. STRANDED WIRE WITH (1.35)/.053 DIA. MAX. INSULATION.
- 2) SEE CHART FOR CIRCUIT SIZES.
- 3) STANDARD PACKAGING PER PK-70873-0001. OPTIONAL PACKAGING MAY BE AVAILABLE, REQUEST DWG. PK-70400
- 4) PARTS STACKABLE END TO END ON (2.54)/.100 CENTERS.
- 5) REFER TO PRODUCT SPECIFICATION: PS-70400.
- 6) SEE DWG. SDA-70400-\*\*\*\* (SHT. 5) FOR OPTIONAL HOUSING DETAILS.
- 7) 4 CIRCUIT SHOWN. 3 - 25 CKT'S. HAVE (2) RIBS.
- 8) TO MATE WITH MOLEX PART NO'S.: 70004-\*\*\*\*, 70013-\*\*\*\*
- 9) 2 CIRCUIT ASSEMBLIES SUPPLIED AS GROUPED PAIRS.

CKT. SIZE	A	B	ITEM NUMBER
2	( 2.54 ) .100	( 5.05 ) .199	70400-3024
3	( 5.08 ) .200	( 7.59 ) .299	70400-3034
4	( 7.62 ) .300	( 10.13 ) .399	70400-3044
5	( 10.16 ) .400	( 12.67 ) .499	70400-3054
6	( 12.70 ) .500	( 15.21 ) .599	70400-3064
7	( 15.24 ) .600	( 17.75 ) .699	70400-3074
8	( 17.78 ) .700	( 20.29 ) .799	70400-3084
9	( 20.32 ) .800	( 22.83 ) .899	70400-3094
10	( 22.86 ) .900	( 25.37 ) .999	70400-3104
11	( 25.54 ) 1.000	( 27.91 ) 1.099	
12	( 27.94 ) 1.100	( 30.45 ) 1.199	70400-3124
13	( 30.48 ) 1.200	( 32.99 ) 1.299	70400-3134
14	( 33.02 ) 1.300	( 35.53 ) 1.399	
15	( 35.56 ) 1.400	( 38.07 ) 1.499	70400-3154
16	( 38.01 ) 1.500	( 40.61 ) 1.599	70400-3164
17	( 40.64 ) 1.600	( 43.15 ) 1.699	
18	( 43.18 ) 1.700	( 45.69 ) 1.799	70400-3184
19	( 45.72 ) 1.800	( 48.23 ) 1.899	
20	( 48.26 ) 1.900	( 50.77 ) 1.999	70400-3204
21	( 50.80 ) 2.000	( 53.31 ) 2.099	
23	( 55.88 ) 2.200	( 58.39 ) 2.299	
24	( 58.42 ) 2.300	( 60.93 ) 2.399	70400-3244
25	( 60.96 ) 2.400	( 63.47 ) 2.499	70400-3254



### SECTION C-C



HOUSING PART NO. 70066-\*\*\*\*  
MATERIAL: G.F. POLYESTER, 94V-0

TERMINAL PART NO. 70028-\*\*\*\*  
MATERIAL: PHOSPHOR BRONZE  
PLATING PER ES-88-\*\*\*\*

I.D. SLOT CODE TO WIRE GAUGE CHART	
I.D. SLOT CODE	WIRE GAUGE
A	24 AWG.

PLATING CODE (STRIPE ON CARRIER STRIP)	
PLATING	COLOR
15 GOLD	YELLOW

15 GOLD - .000015 MIN. GOLD IN SELECT AREA WITH  
.000075 MIN. TIN  
IN SELECT AREA OVER .000050 MIN. NICKEL  
OVER-ALL.

THIS DRAWING CONTAINS INFORMATION THAT IS PROPRIETARY TO MOLEX ELECTRONIC TECHNOLOGIES, LLC AND SHOULD NOT BE USED WITHOUT WRITTEN PERMISSION

DIMENSION UNITS <b>MM/IN</b>	SCALE <b>4:1</b>	CURRENT REV DESC: REMOVED OBSOLETE PART NUMBER AS PER PCN#512063.	<b>molex</b>			
GENERAL TOLERANCES (UNLESS SPECIFIED)		EC NO: 713759				ASSEMBLY, SL CONNECTOR SINGLE ROW (2.54)/.100 GRID
4 PLACES ±	±	DRWN: SANTHN	2022/07/01			
3 PLACES ±	± 0.01	CHK'D: GB	2022/10/07			
2 PLACES ±	0.25 ± 0.014	APPR: GB	2022/10/07			
1 PLACE ±	0.35 ±	INITIAL REVISION:		PRODUCT CUSTOMER DRAWING		
0 PLACES ±	±	DRWN: M I BARRA	2005/10/27	DOCUMENT NUMBER		
ANGULAR TOL ± 0.5°		APPR: SMILLER	2005/10/27	<b>SD-70400-004</b>		
DRAFT WHERE APPLICABLE MUST REMAIN WITHIN DIMENSIONS	THIRD ANGLE PROJECTION	DRAWING	SERIES	MATERIAL NUMBER	CUSTOMER	SHEET NUMBER
		<b>C-SIZE</b>	<b>70400</b>	SEE TABLE	GENERAL MARKET	1 OF 1