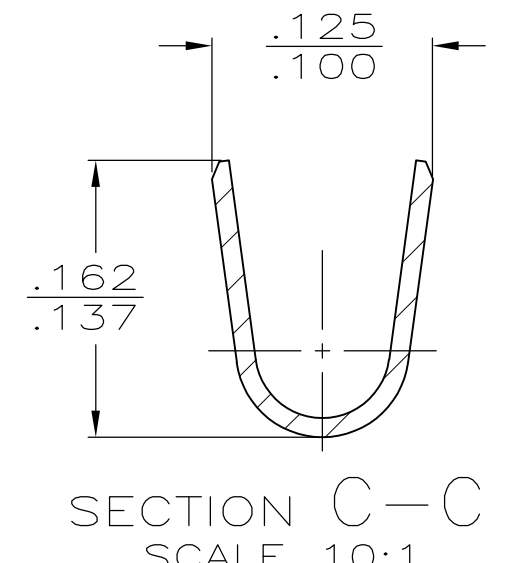
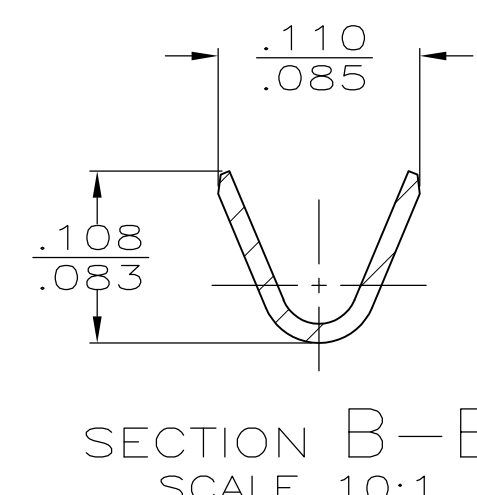
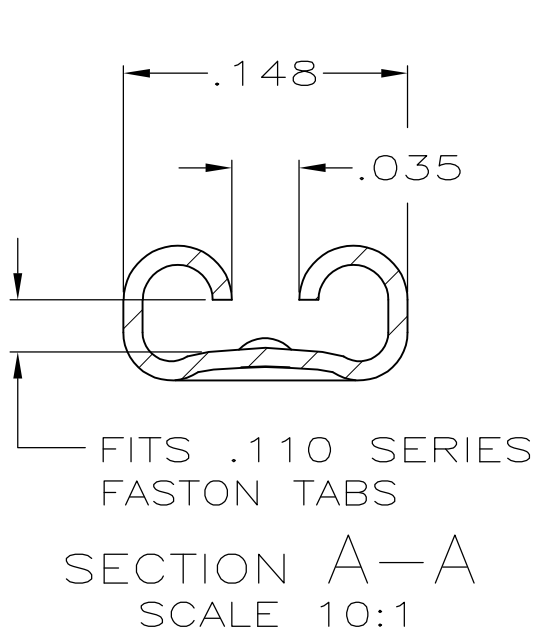
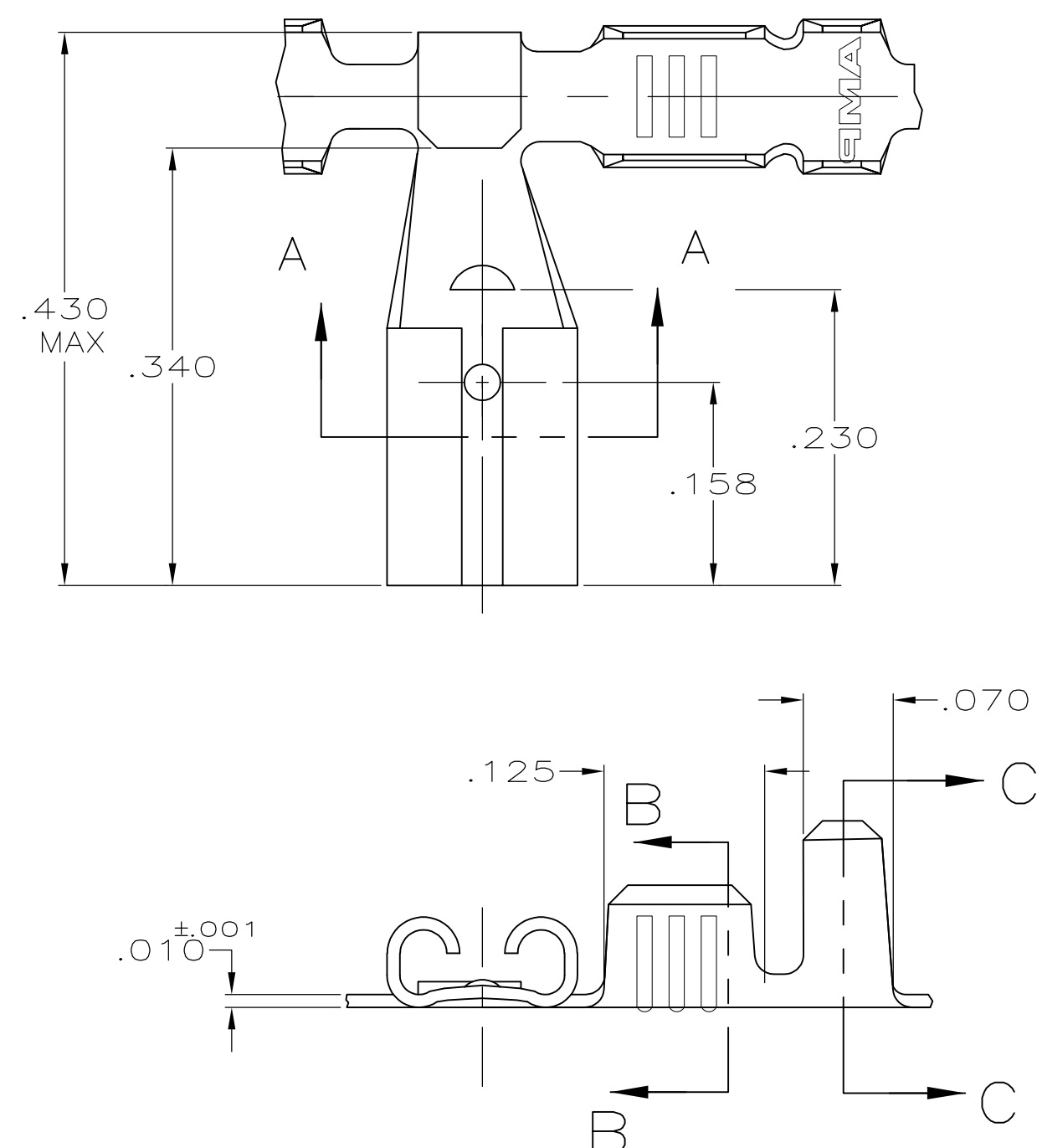


THIS DRAWING IS UNPUBLISHED. RELEASED FOR PUBLICATION
 © COPYRIGHT - By - ALL RIGHTS RESERVED.

LOC	DIST	REVISIONS					
AF	50	P	LTR	DESCRIPTION	DATE	DWN	APVD
		D		REVISED PER ECR-12-013459	28NOV2012	KH	PD



1 CONTINUOUS STRIP ON REELS

.060-.100 DIA	22-18 AWG	.020	61481-1
INSULATION RANGE	WIRE SIZE	MATING TAB THK $\pm .001$	PART NO

THIS DRAWING IS A CONTROLLED DOCUMENT.		DWN	JR RUTH	4/22/91	TE Connectivity RECEPTACLE, FASTON, FLAG, .110 SERIES			
DIMENSIONS: INCHES		CHK	MS FEHER	4/22/91				
		APVD	C MEYERS	4/22/91				
TOLERANCES UNLESS OTHERWISE SPECIFIED:		PRODUCT SPEC		NAME				
0 PLC $\pm -$ 1 PLC $\pm -$ 2 PLC $\pm -$ 3 PLC $\pm .015$ 4 PLC $\pm -$ ANGLES $\pm -$		APPLICATION SPEC		---	SIZE	CAGE CODE	DRAWING NO	RESTRICTED TO
MATERIAL: BRASS		FINISH: PRE-TIN		WEIGHT: -	A3	00779	C-61481	---
CUSTOMER DRAWING					SCALE: 8:1	SHEET: 1 OF 1	REV: D	