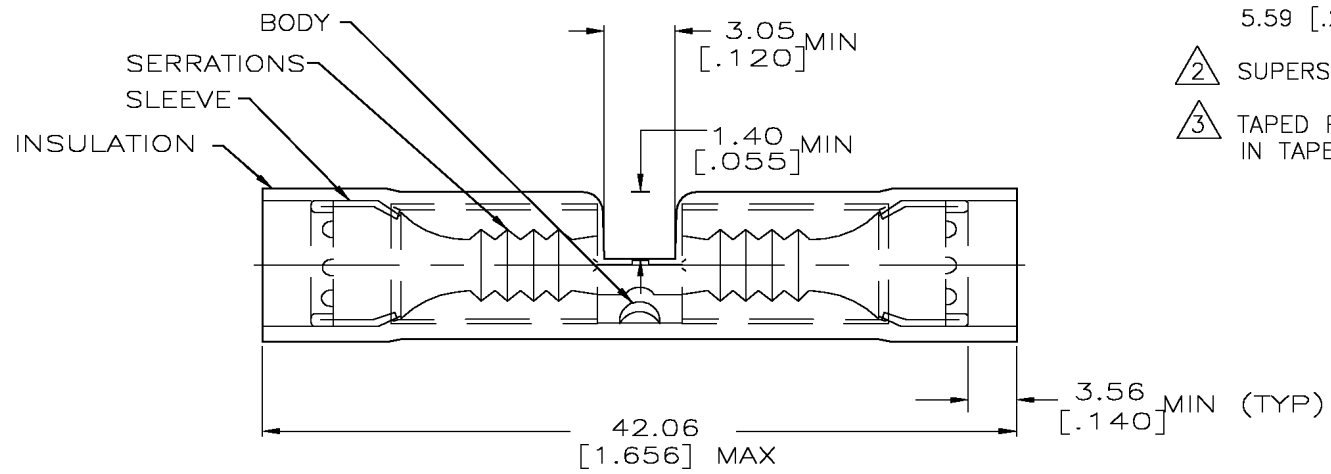


THIS DRAWING IS UNPUBLISHED. RELEASED FOR PUBLICATION  
 © COPYRIGHT BY TYCO ELECTRONICS CORPORATION. ALL RIGHTS RESERVED.

LOC	DIST	REVISIONS					
G	14	P	LTR	DESCRIPTION	DATE	DWN	APVD
		U		REV PER OG3A-0761-02	06JAN03	JR	TM

<b>AMP</b> WIRE RANGE	Listed FILE E13288	LR7189 Certified
12-10 AWG STRANDED	12-10 AWG STRANDED	12-10 AWG STRANDED



- 1 WIRE INSULATION DIA 3.81 [.150] TO 5.59 [.220].
- 2 SUPERSEDED BY 8-320570-2
- 3 TAPED PART LONG, CRIMP ONLY IN TAPETRONICS.

-	1000	BULK, LOOSE PIECE	8-320570-5
-	1500	ON TAPE, REEL	2-320570-3
-	5	LOOSE PIECE, BLS	8-320570-4
-	50	LOOSE PIECE, BOX	8-320570-2
M7928/5-5 CLASS 1 & 2	50	LOOSE PIECE	320570
MILITARY PART NUMBER & CLASS PER MIL-T-7928	QTY	PACKAGE TYPE	PART NUMBER

<b>AMP INCORPORATED CUSTOMER SERVICE SYSTEMS</b>		MAX RECOMMENDED OPERATING TEMPERATURE: 105°C	THIS DRAWING IS A CONTROLLED DOCUMENT.		DWN S.S. GOULDEN 9-28-93		Tyco Electronics Corporation Harrisburg, PA 17105					
FOR ADDITIONAL PRODUCT INFORMATION OR COPIES OF DRAWINGS AND TECHNICAL DOCUMENTS	PRODUCT INFORMATION CENTER 1-800-522-6752	VOLTAGE RATING: 600V MAX 1000V MAX (FIXTURE OR SIGN)	DIMENSIONS: INCHES	TOLERANCES UNLESS OTHERWISE SPECIFIED: 0 PLC ± - 1 PLC ± - 2 PLC ± 0.20[.008] 3 PLC ± - 4 PLC ± - ANGLES ± -	CHK R. HERSEY 9-28-93		NAME T. MICHELUTTI	SPLICE, BUTT, PIDG, WIRE SIZE: 12-10 AWG				
FOR APPLICATION TOOLING INFORMATION	TOOLING ASSISTANCE CENTER 1-800-722-1111	CIRCULAR MIL AREA: 2.62-6.64mm² [5,180-13,100] STRANDED		MATERIAL COPPER ASTM B-152	FINISH TIN PLATE	APVD I. MICHELUTTI 9-28-93	APPLICATION SPEC	RESTRICTED TO				
FOR ORDER ENTRY	1-800-526-5142	THIS DRAWING IS A CONTROLLED DOCUMENT FOR AMP INCORPORATED. IT IS SUBJECT TO CHANGE AND THE CONTROLLING ENGINEERING ORGANIZATION SHOULD BE CONTACTED FOR THE LATEST REVISION.	MATERIAL COPPER ASTM B-152		FINISH TIN PLATE	WEIGHT -	SIZE A3	CAGE CODE 00779	DRAWING NO C-320570	SCALE 1:1	SHEET 1 OF 1	REV U